

# AUTO-HAK Sp. z o.o.

ul. Słoneczna 16K 76-200 SŁUPSK  
POLAND

tel/fax +48 59 8 414 414; +48 59 8 414 413

e-mail: [office@autohak.com.pl](mailto:office@autohak.com.pl)

[www.autohak.com.pl](http://www.autohak.com.pl)



# AUTO-HAK

## VOLVO XC60 II

Nr kat.

**L29A**



03.2017 →



E20\*55R02\*6468



12,6 kN



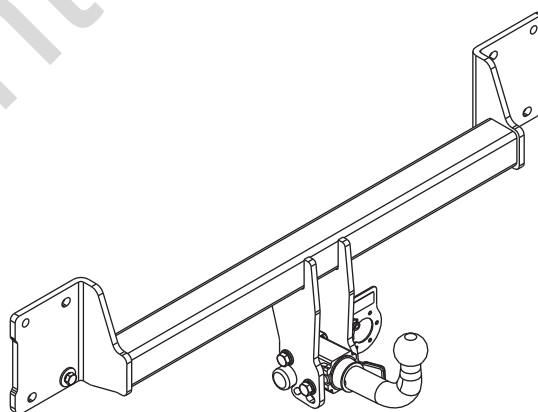
R=2480 kg



S=140 kg



2h



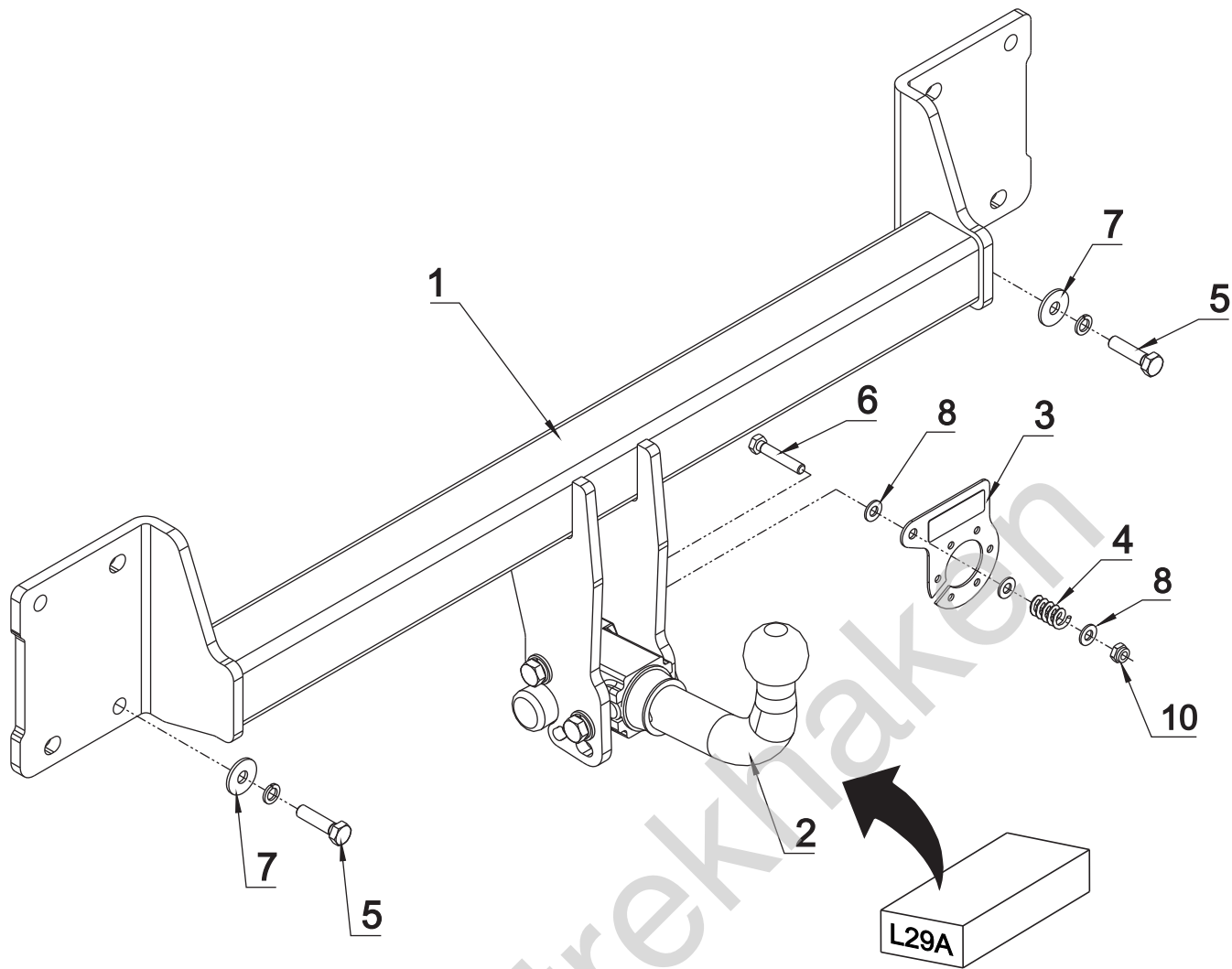
śruba	Nm	M6	M8	M10	M12	M14	M16
klasa 8.8		9,9	24	48	83	132	200
klasa 10.9		14	34	67	117	185	285

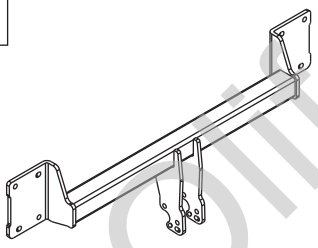
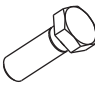


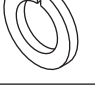
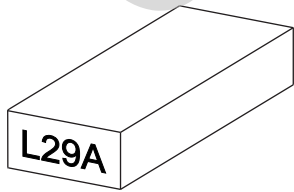



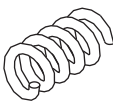


0 km →

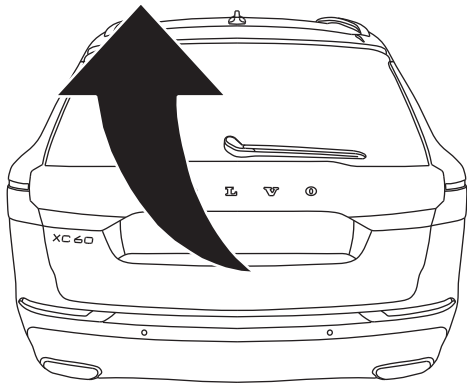


1000 km

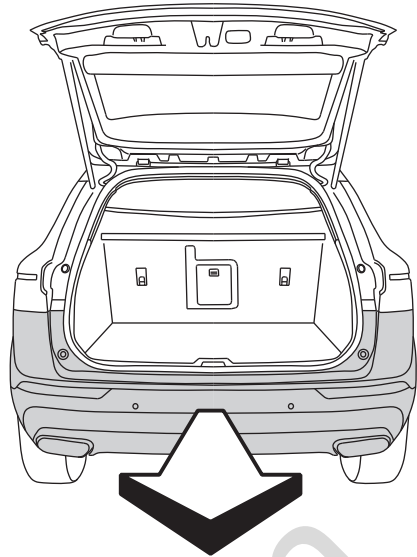


<b>1</b> 	<b>x1</b>		<b>5</b> M10x40	<b>x2</b>
			<b>6</b> M8x50	<b>x1</b>
			<b>7</b> $\varnothing 30 \times \varnothing 10.5 \times 2.5$ 10 (DIN 9021)	<b>x2</b>
			<b>8</b> $\varnothing 8.4$	<b>x3</b>
<b>2</b> 	<b>x1</b>		<b>9</b> $\varnothing 10.2$	<b>x2</b>
			<b>10</b> M8 (DIN985)	<b>x1</b>
<b>3</b> 	<b>x1</b>	Art.nr-KL1L29A		
<b>4</b> 	<b>x1</b>	Art.nr-BL12L29A		

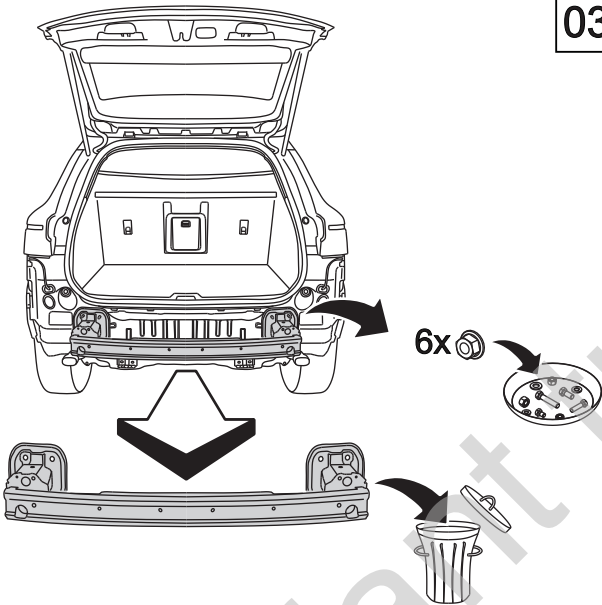
01



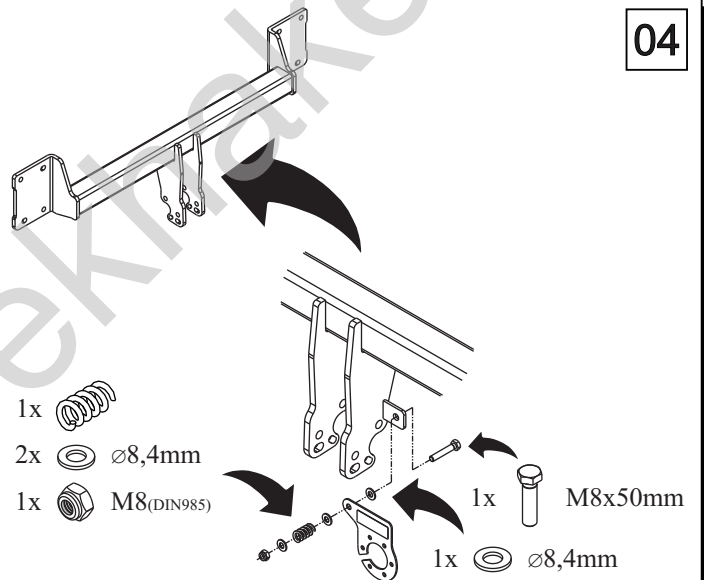
02



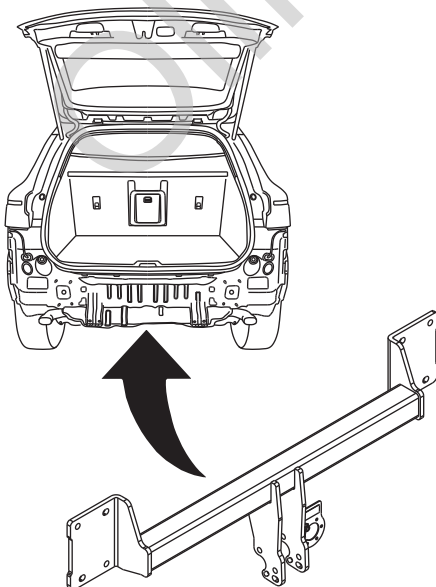
03



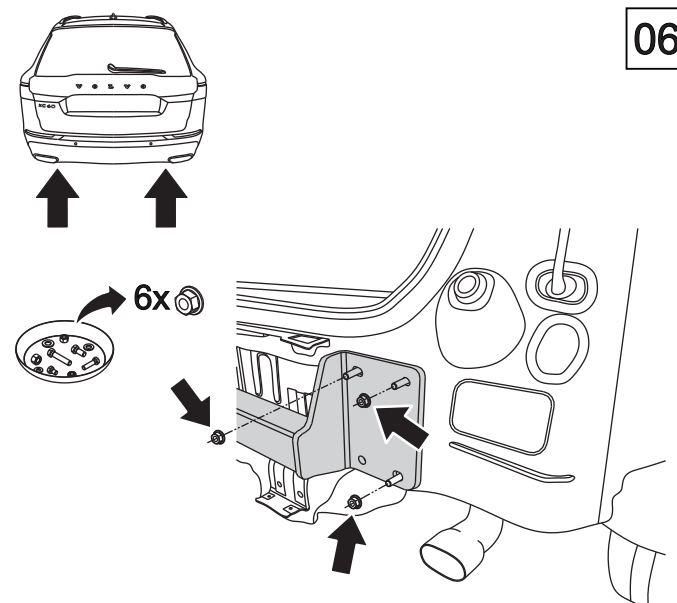
04



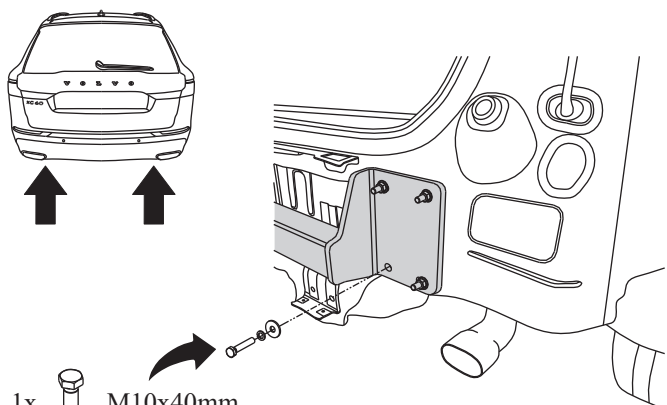
05






06

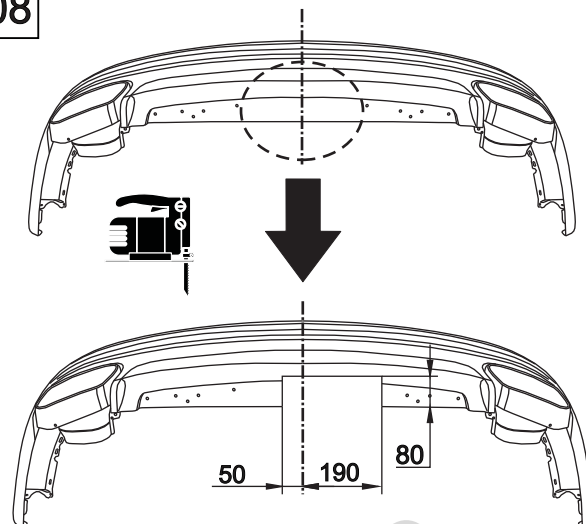


07

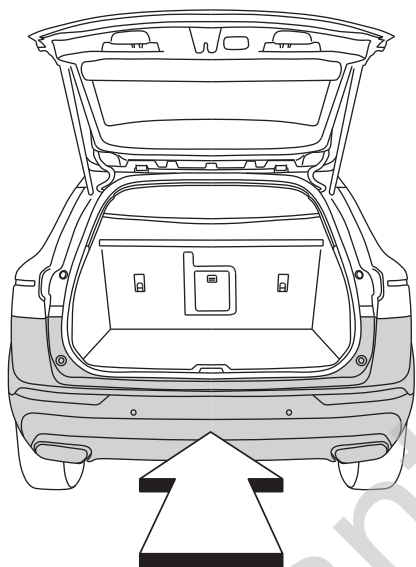


- 1x  M10x40mm
- 1x   $\varnothing 10,2\text{mm}$
- 1x   $\varnothing 30 \times \varnothing 10,5 \times 2,5\text{mm}$

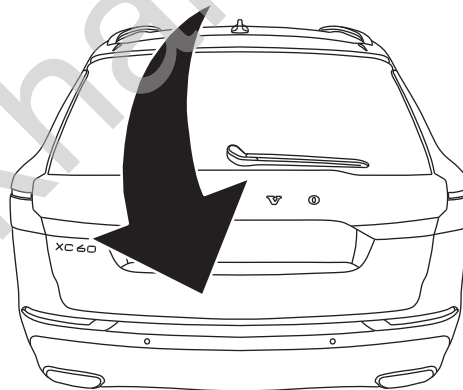
08



09



10



11

