

PPUH AUTO-HAK Sp.J.

Henryk i Zbigniew Nejman
ul. Słoneczna 16K 76-200 SŁUPSK
POLAND

tel/fax +48 59 8 414 414; +48 59 8 414 413

e-mail: office@autohak.com.pl

www.autohak.com.pl



AUTO-HAK

VOLVO XC90

SUV, też 4WD

Cat. no:

L28A



05.2015 →



E20-55R-01 5116



2h

D

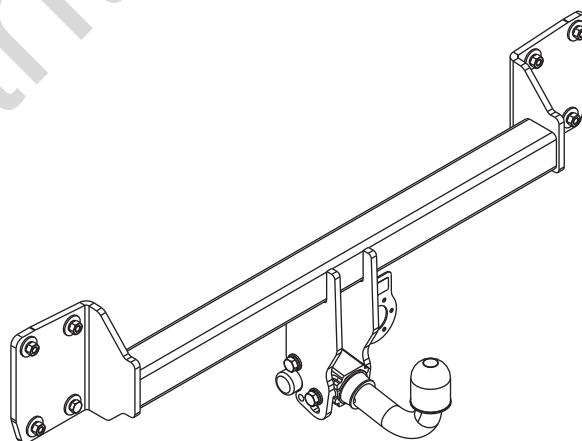
13,4 kN



R=2720 kg



S=140 kg



M6 - 8,5 Nm
M10 - 41 Nm
M14 - 112 Nm

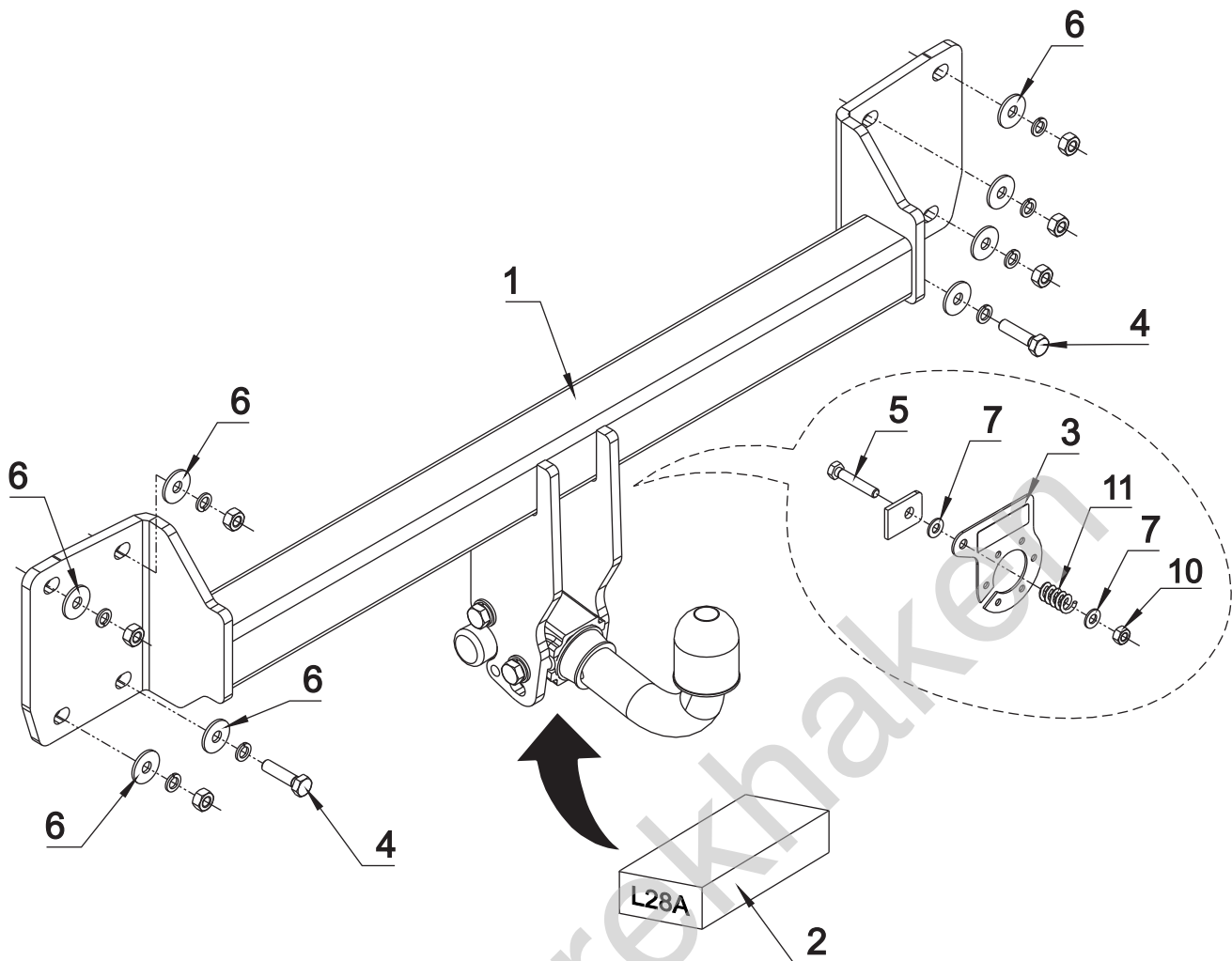
M8 - 20 Nm
M12 - 70 Nm
M16 - 170 Nm

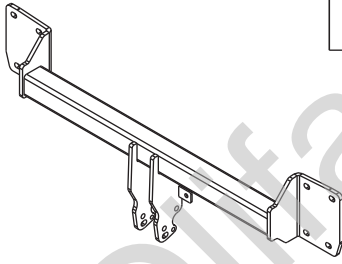




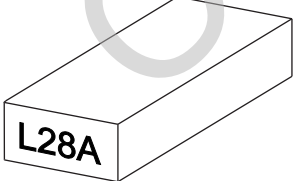

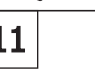





0 km →

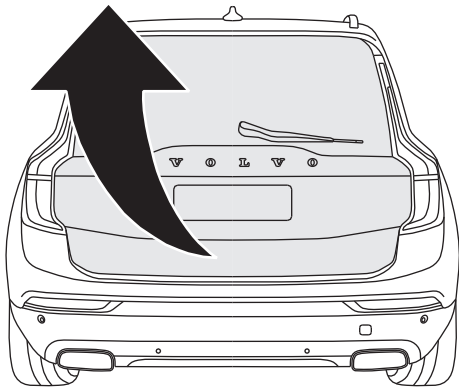


1000 km

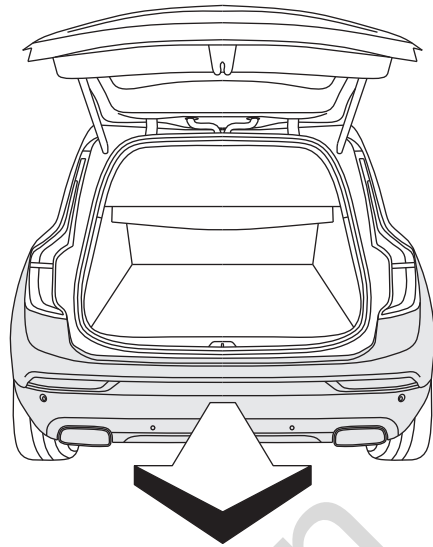


	x1		4 M10x40	x2	
				5 M8x45	x1
				6 $\varnothing 30 \times \varnothing 10.5 \times 2.5$ 10 (DIN 9021)	x8
				7 $\varnothing 8.4$	x2
	x1		8 $\varnothing 10.2$	x8	
				9 M10	x6
				10 M8	x1
	x1		11	x1	
Art.nr-KL1L28A					
Art.nr-BL1L28A					

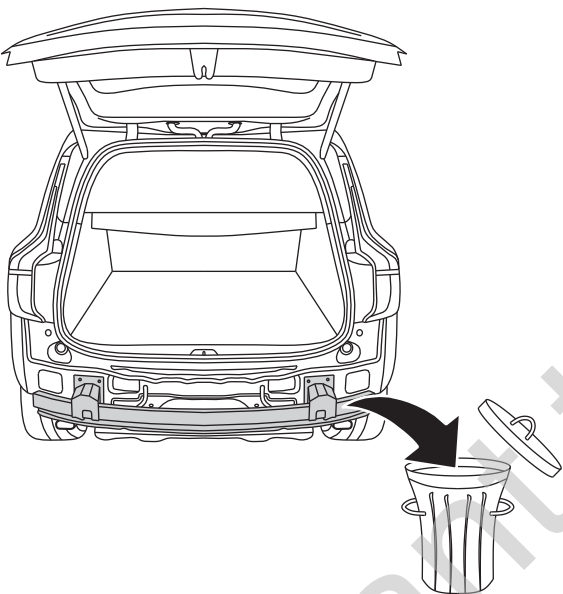
01



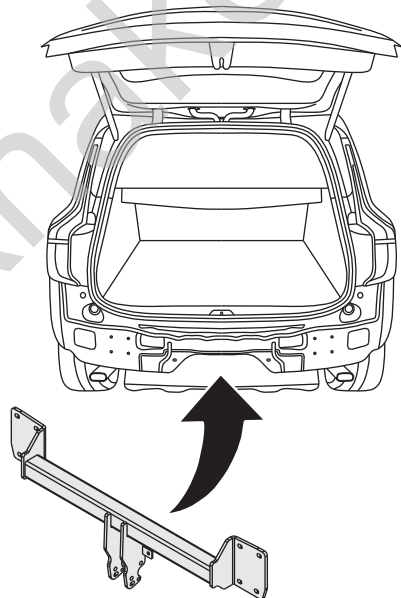
02



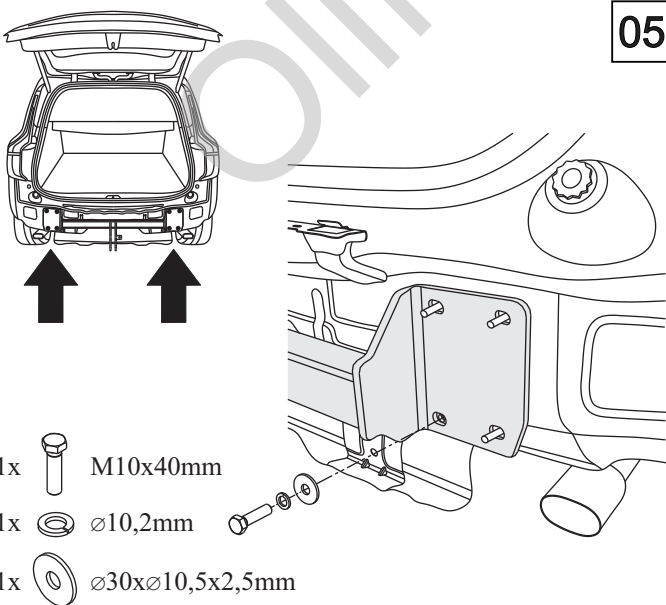
03



04



05



06

