

# PPUH AUTO-HAK Sp.J.

Henryk i Zbigniew Nejman  
ul. Słoneczna 16K 76-200 SŁUPSK  
POLAND

tel/fax +48 59 8 414 414; +48 59 8 414 413


e-mail: [office@autohak.com.pl](mailto:office@autohak.com.pl)

[www.autohak.com.pl](http://www.autohak.com.pl)




# AUTO-HAK

## VOLVO S60, 4D


 06.2010 → 2018

## VOLVO V60, kombi

 11.2010 → 2018

 E20-55R-01 4018

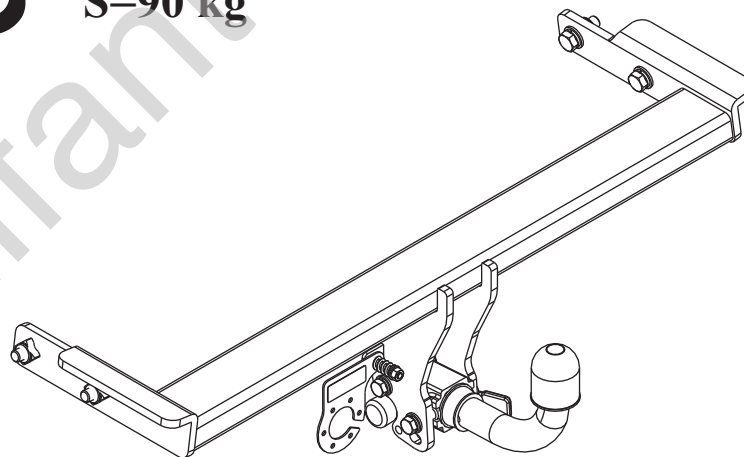
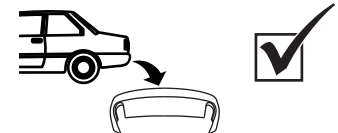
**D** 10,8 kN

 R=1950 kg

 S=90 kg

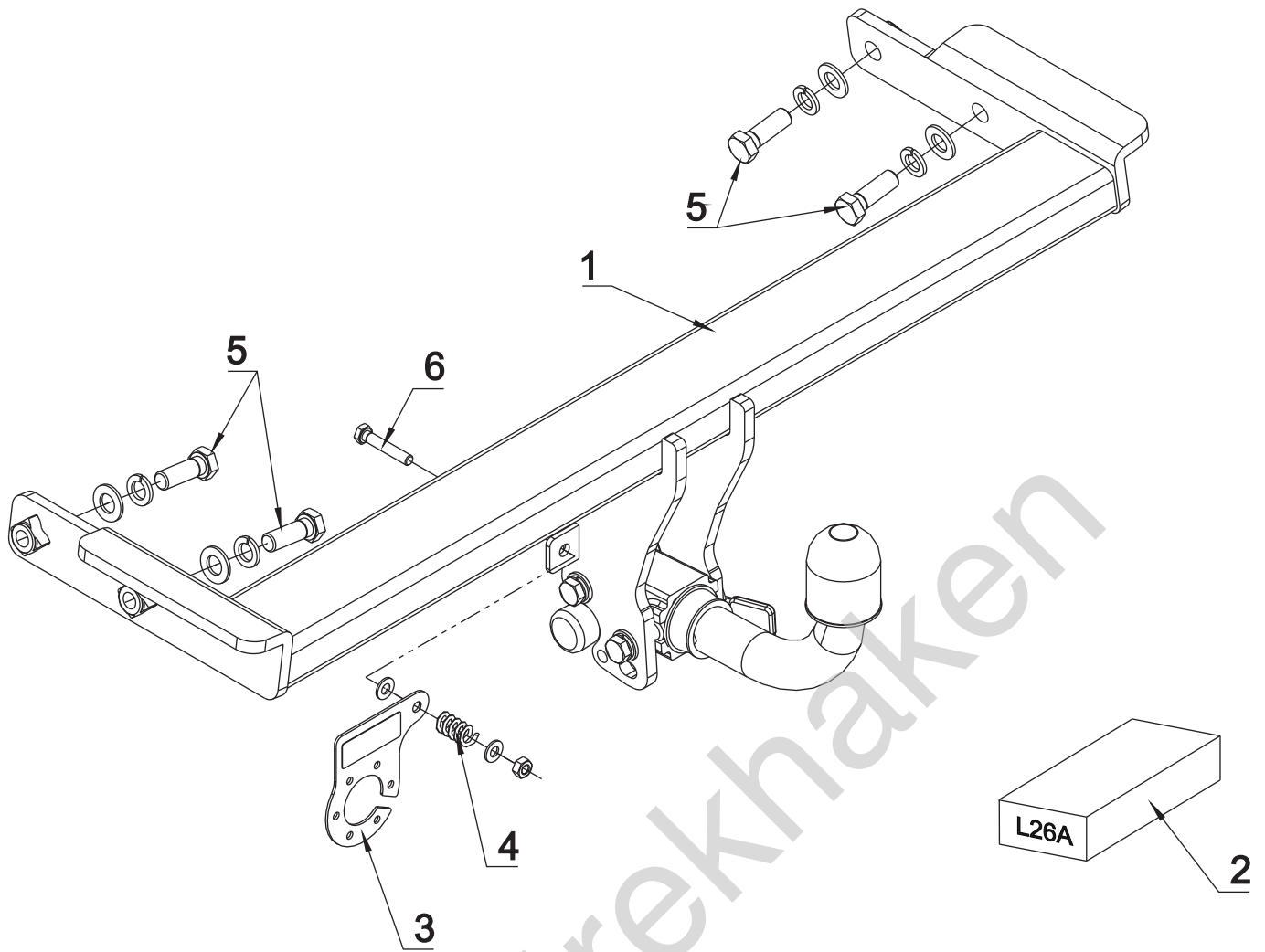
Cat. no:

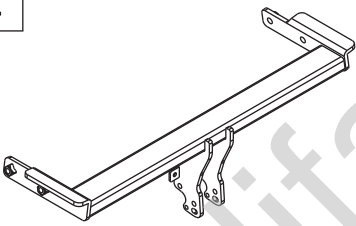





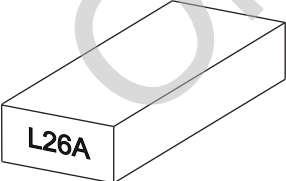
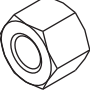
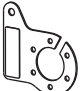

**L26A**



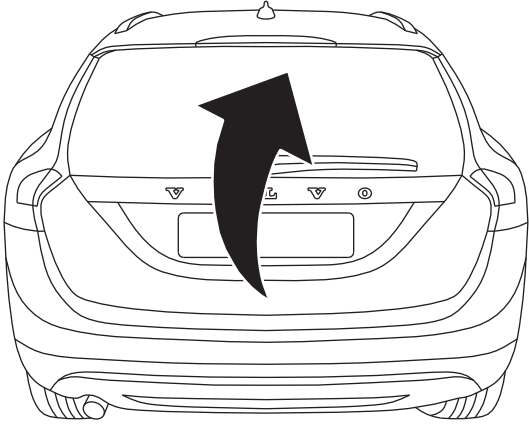
śruba	Nm	M6	M8	M10	M12	M14	M16
klasa 8.8		9,9	24	48	83	132	200
klasa 10.9		14	34	67	117	185	285

 0 km →  1000 km

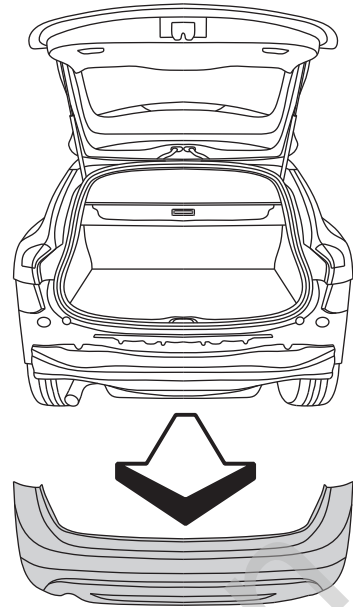


<b>1</b> 	<b>x1</b>		<b>5</b> M14x40	<b>x4</b>
			<b>6</b> M8x45	<b>x1</b>
			<b>7</b> $\varnothing$ 15	<b>x4</b>
			<b>8</b> $\varnothing$ 8.4	<b>x2</b>
			<b>9</b> $\varnothing$ 14.2	<b>x4</b>
<b>2</b> 	<b>x1</b> Art.nr-KL1L26A		<b>10</b> M8	<b>x1</b>
<b>3</b> 	<b>x1</b> Art.nr-BL1L26A			
<b>4</b> 	<b>x1</b>			

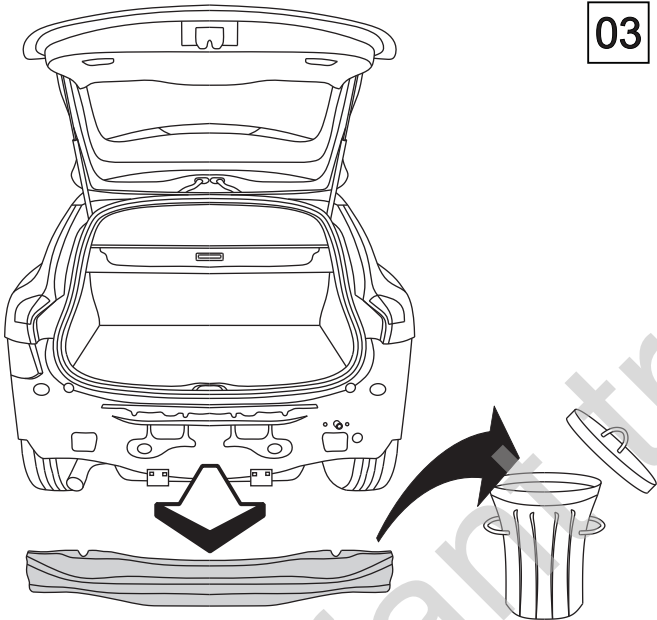
01



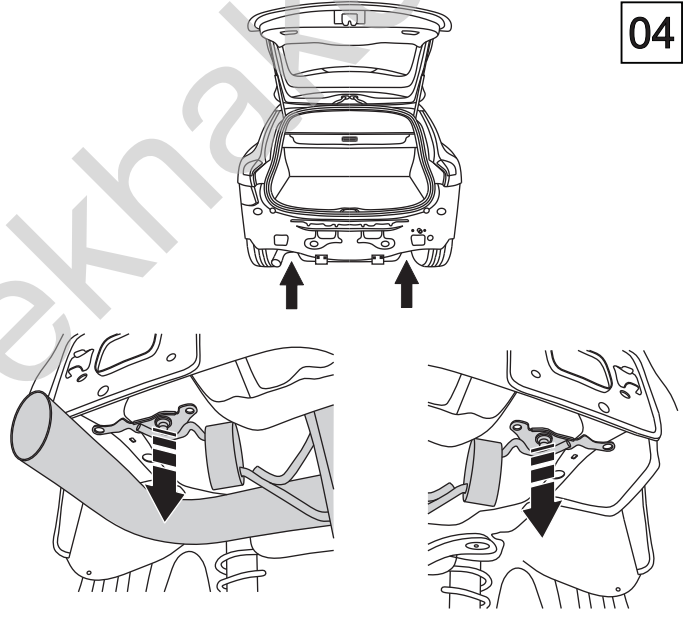
02



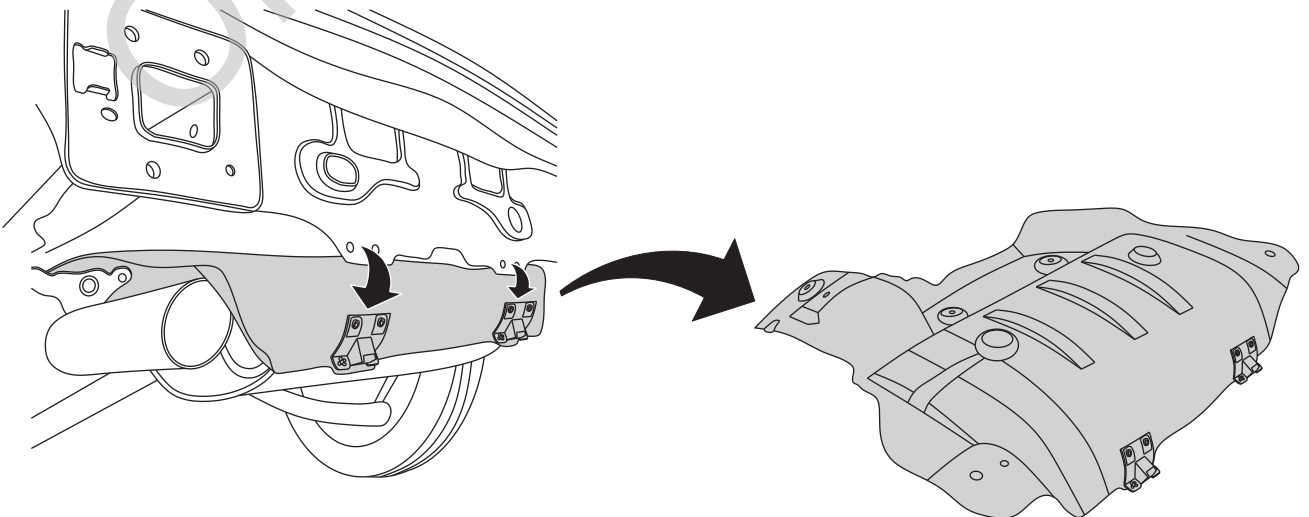
03

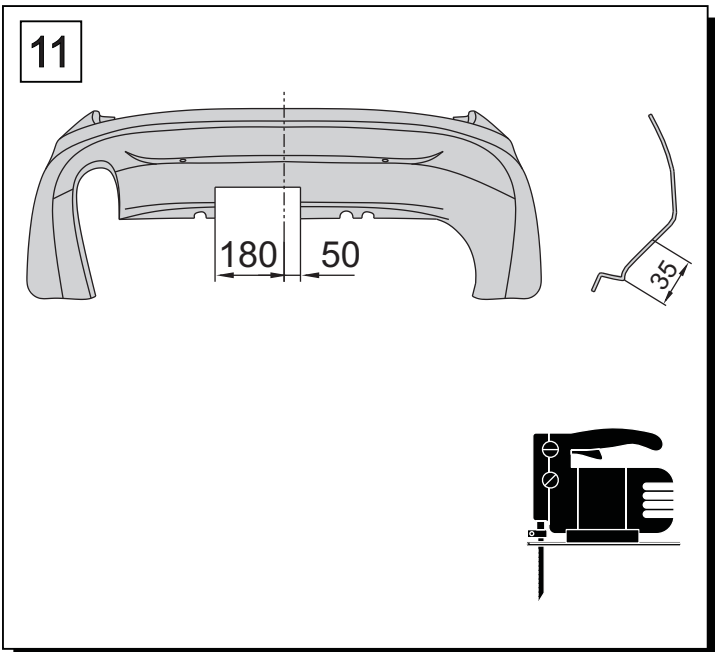
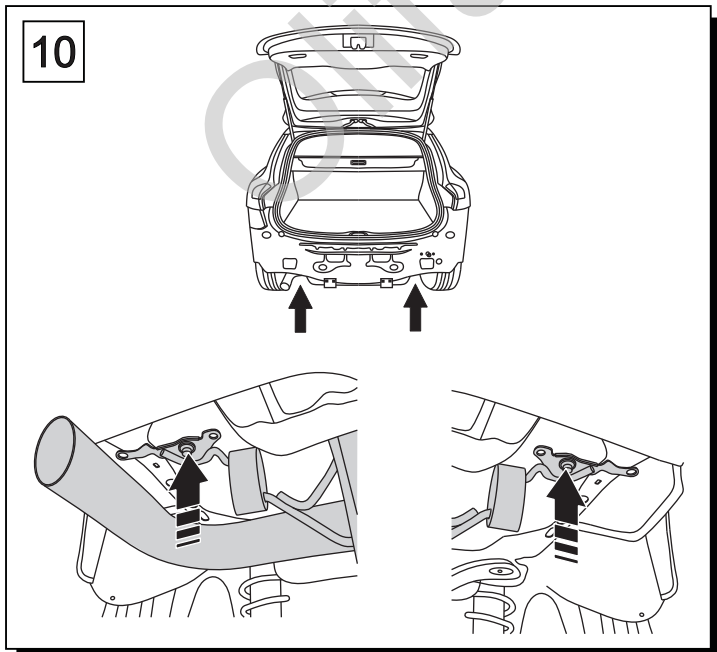
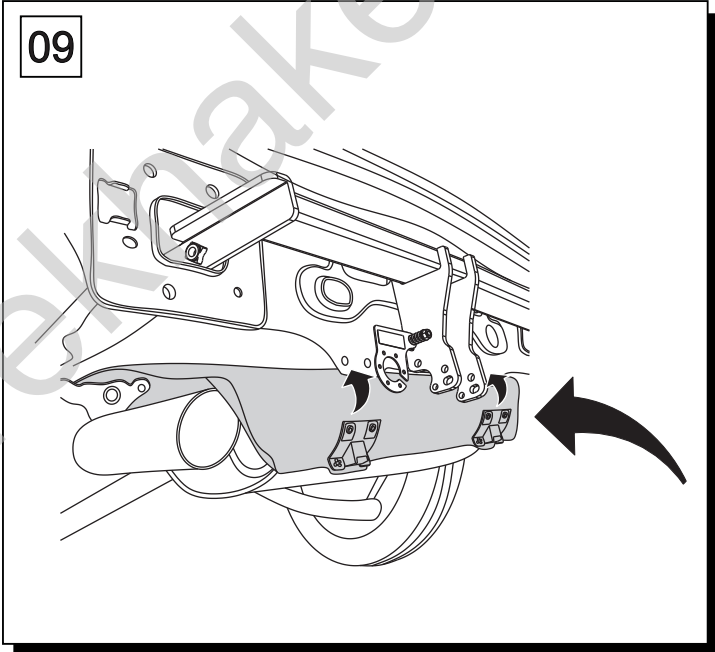
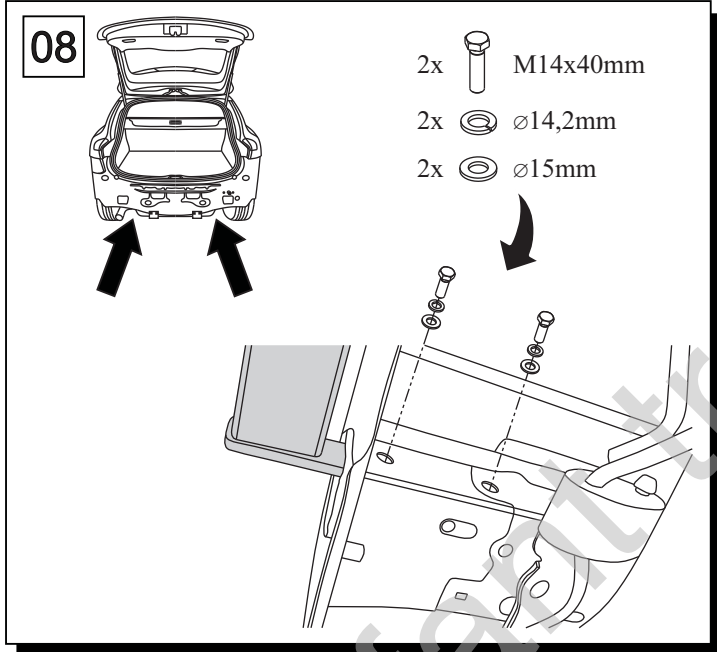
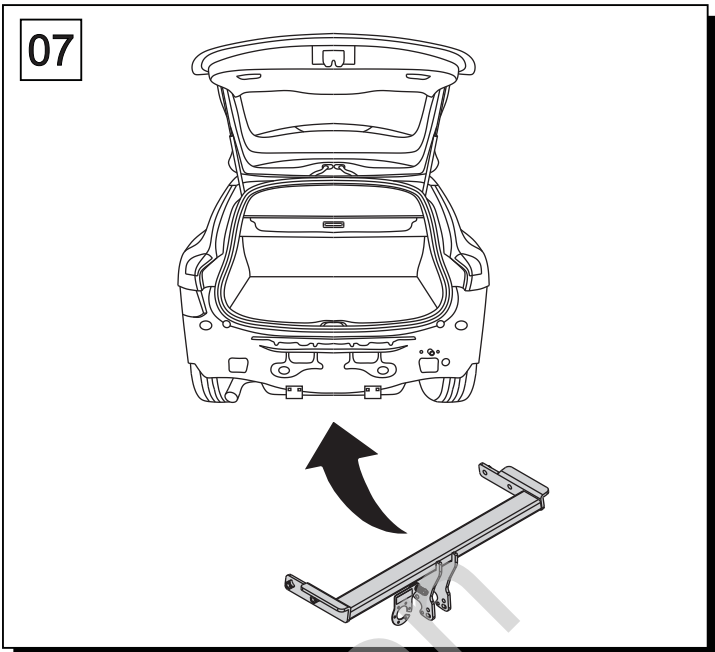
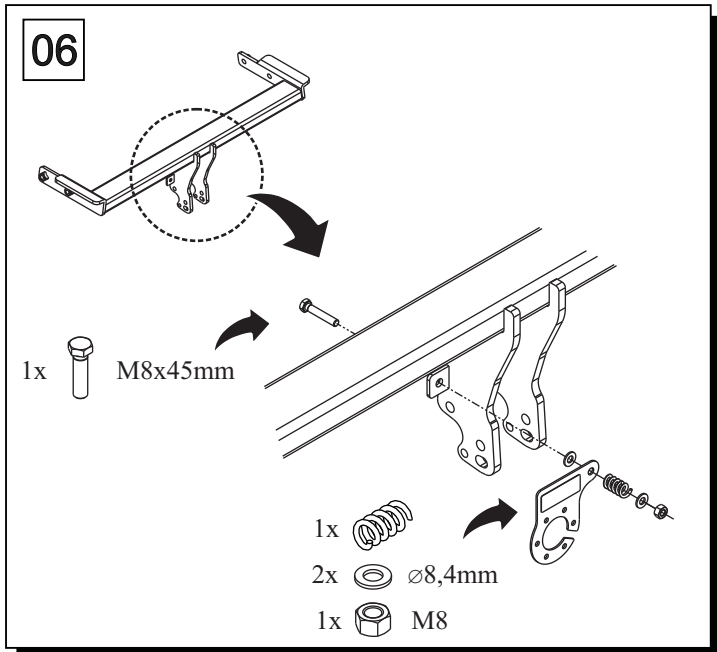


04

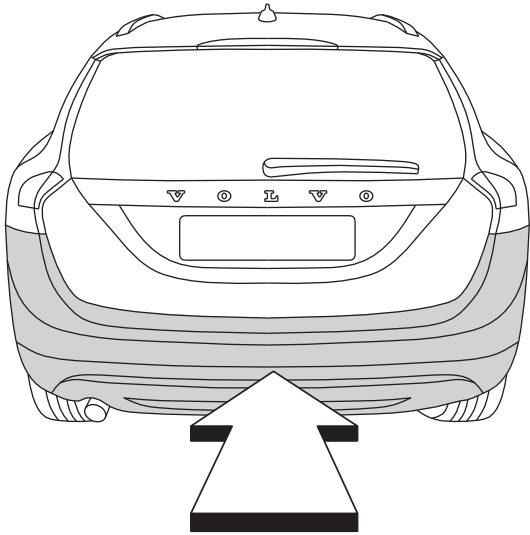


05

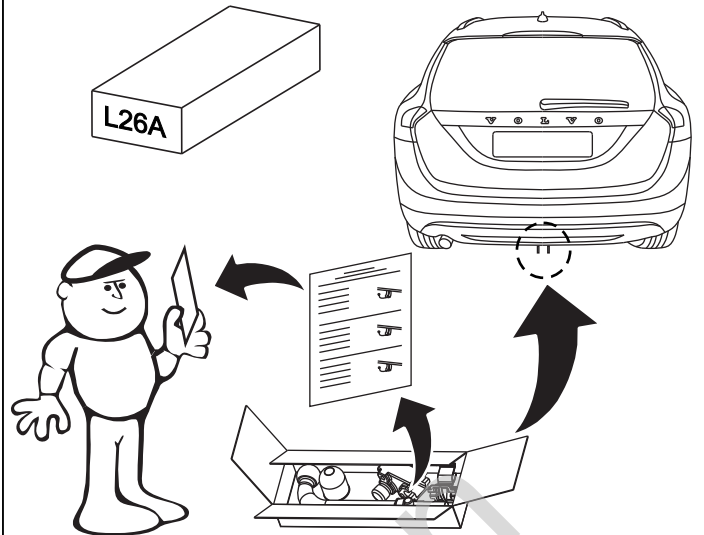




12



13



Olifant trekhaker