

# AUTO-HAK Sp. z o.o.

ul. Słoneczna 16K 76-200 SŁUPSK  
POLAND

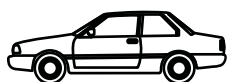
tel/fax +48 59 8 414 414; +48 59 8 414 413

e-mail: [office@autohak.com.pl](mailto:office@autohak.com.pl)

[www.autohak.com.pl](http://www.autohak.com.pl)



# AUTO-HAK



**VOLVO S40, 4D**

09.2003 →

**VOLVO V50, Kombi**

03.2004 →

Nr kat.

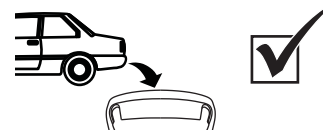
**L23A**

**e20** e20\*94/20\*1407\*01



**2h**

**D** 8,9 kN



**R=1600 kg**



**S=100 kg**

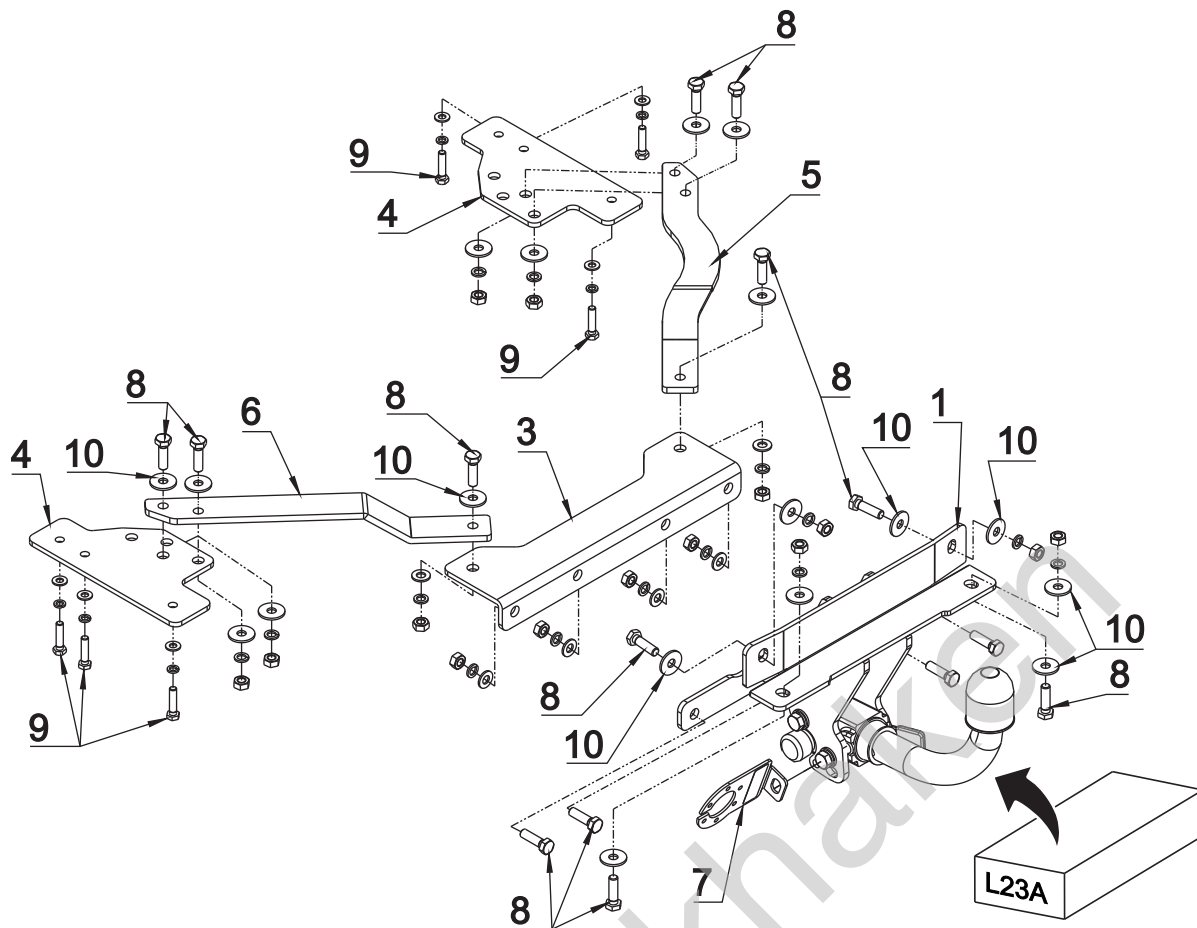
**15,7 kg**

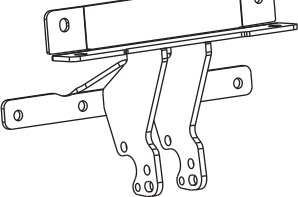

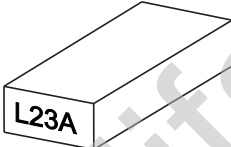

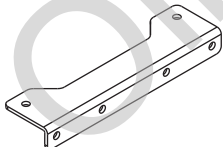

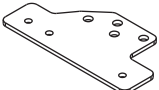

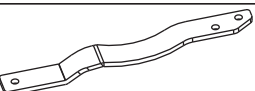
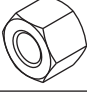

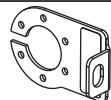
**FULL VERSION INSTRUCTION**

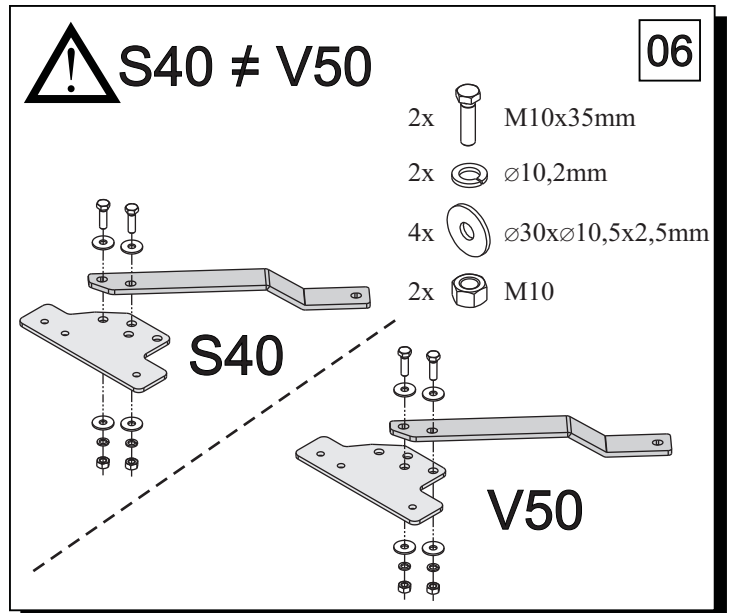
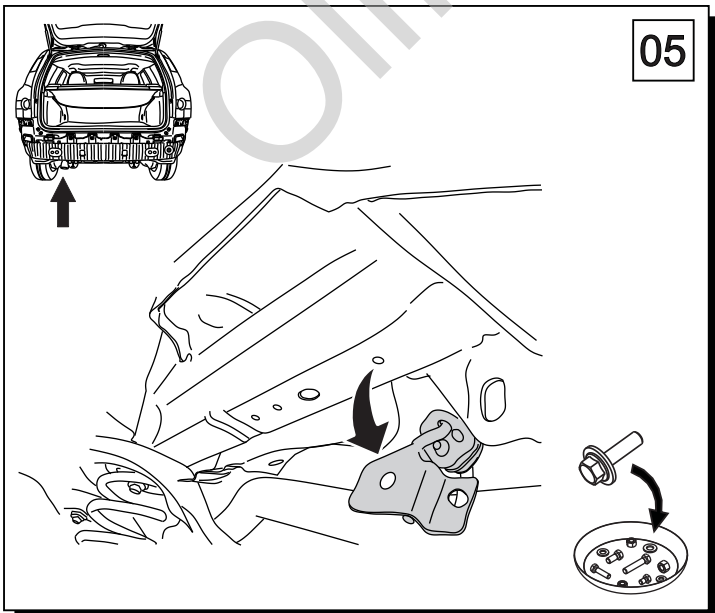
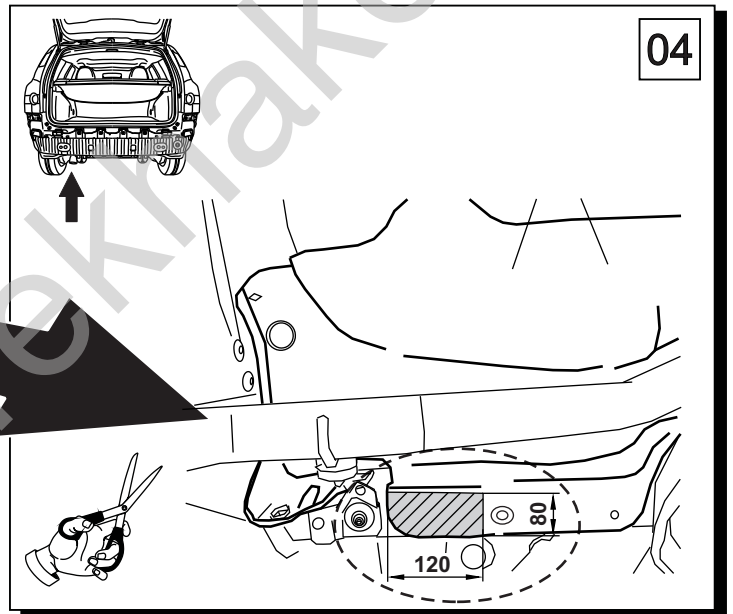
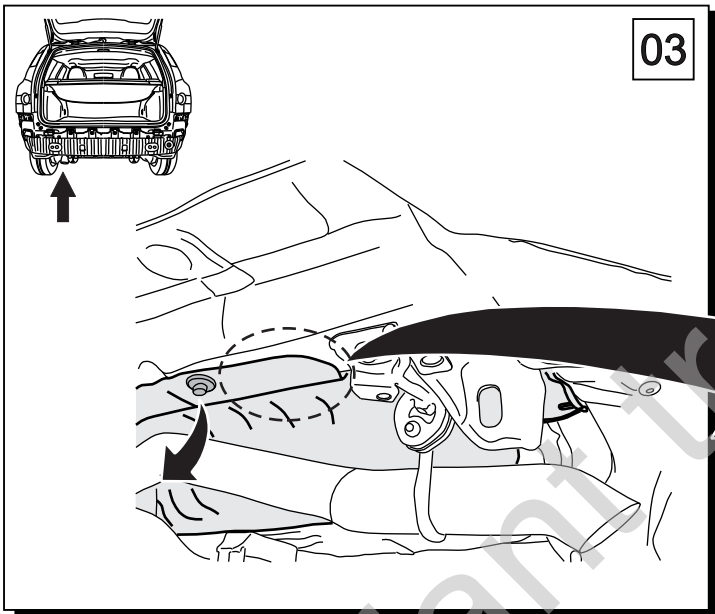
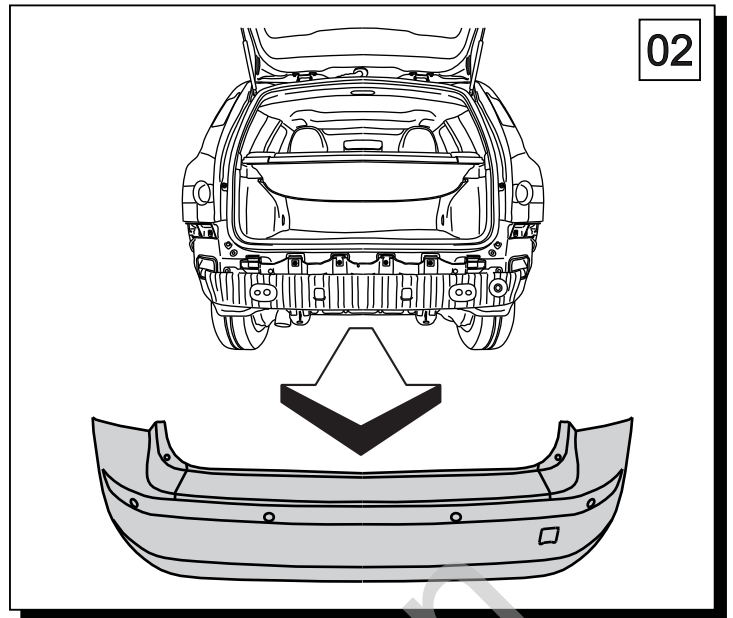
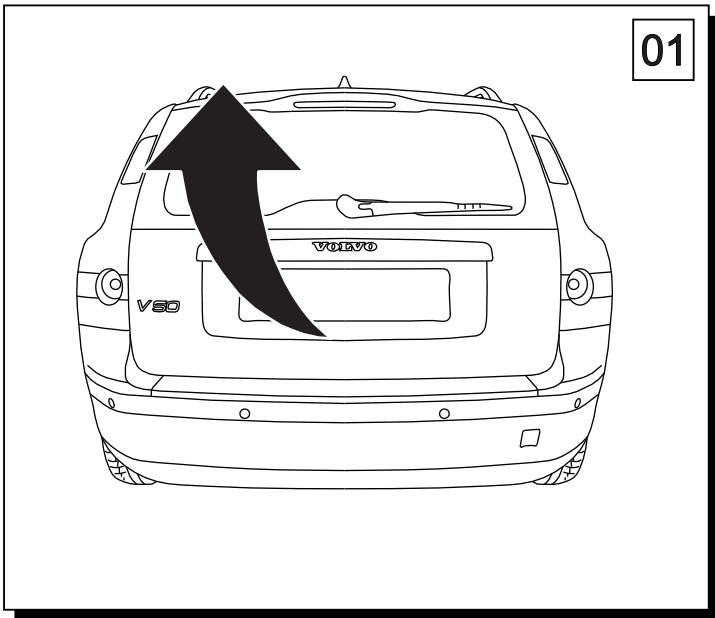


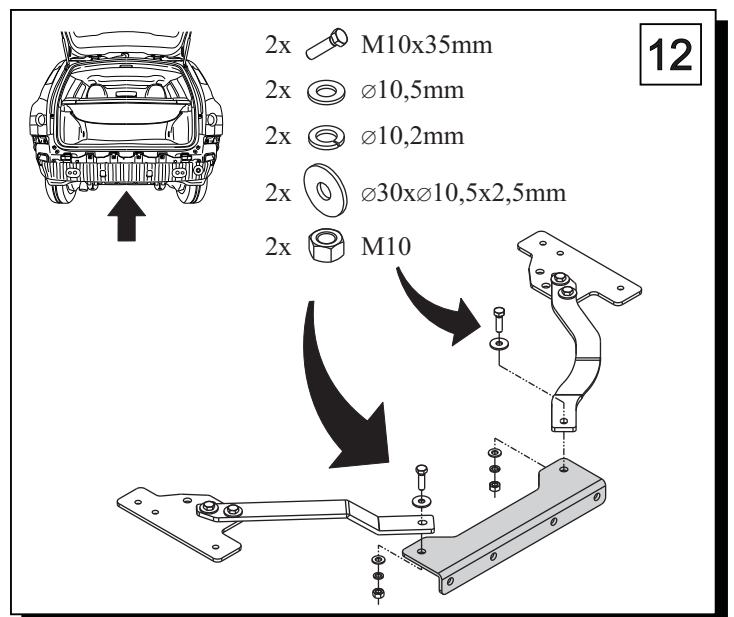
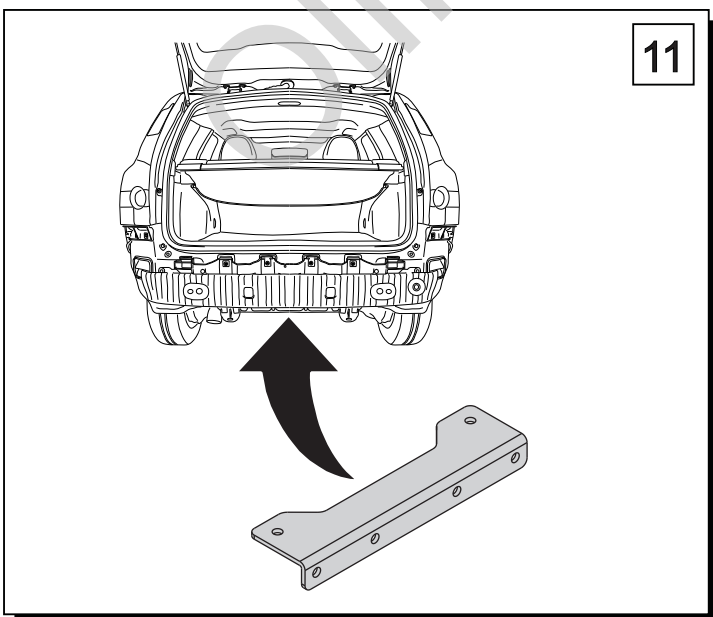
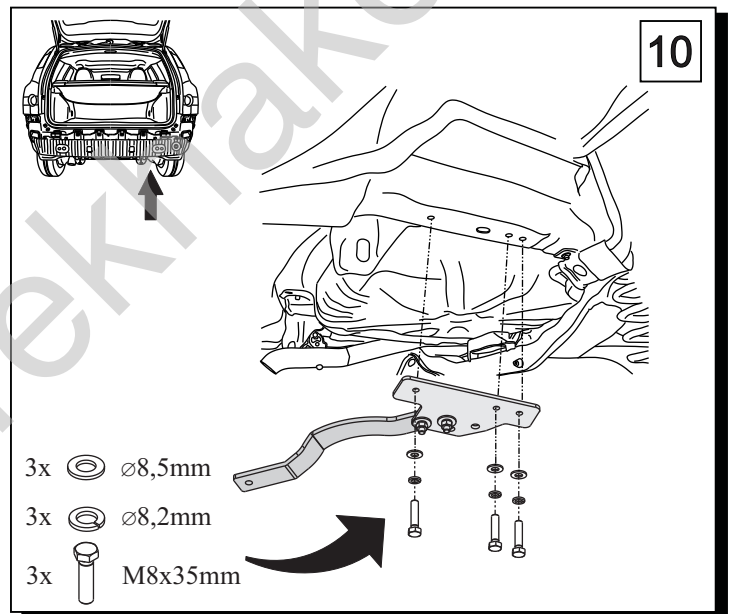
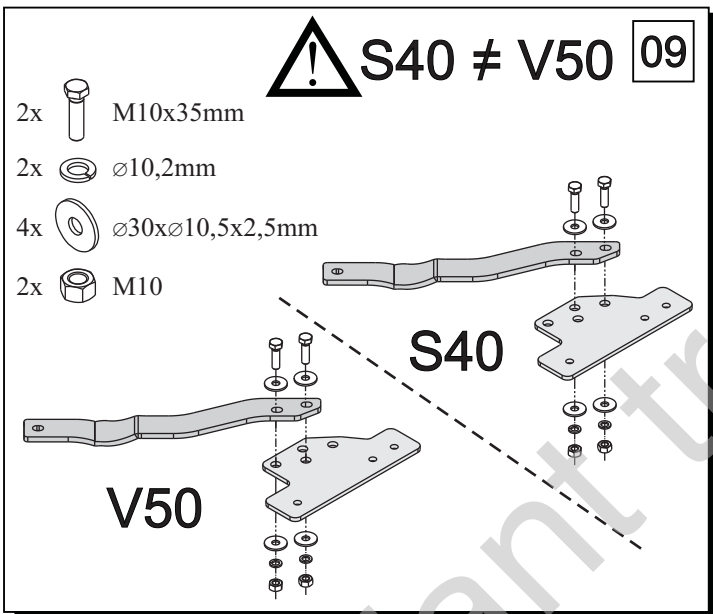
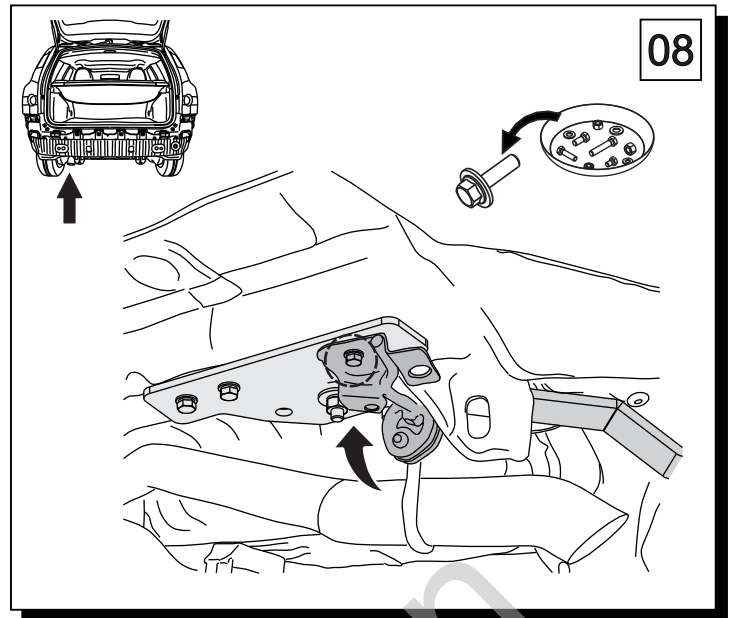
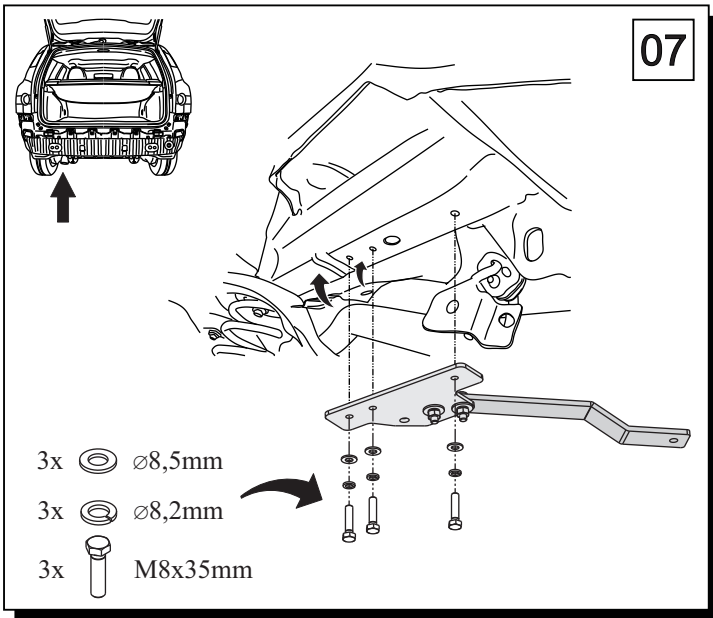
śruba	Nm	M6	M8	M10	M12	M14	M16
klasa 8.8		9,9	24	48	83	132	200
klasa 10.9		14	34	67	117	185	285

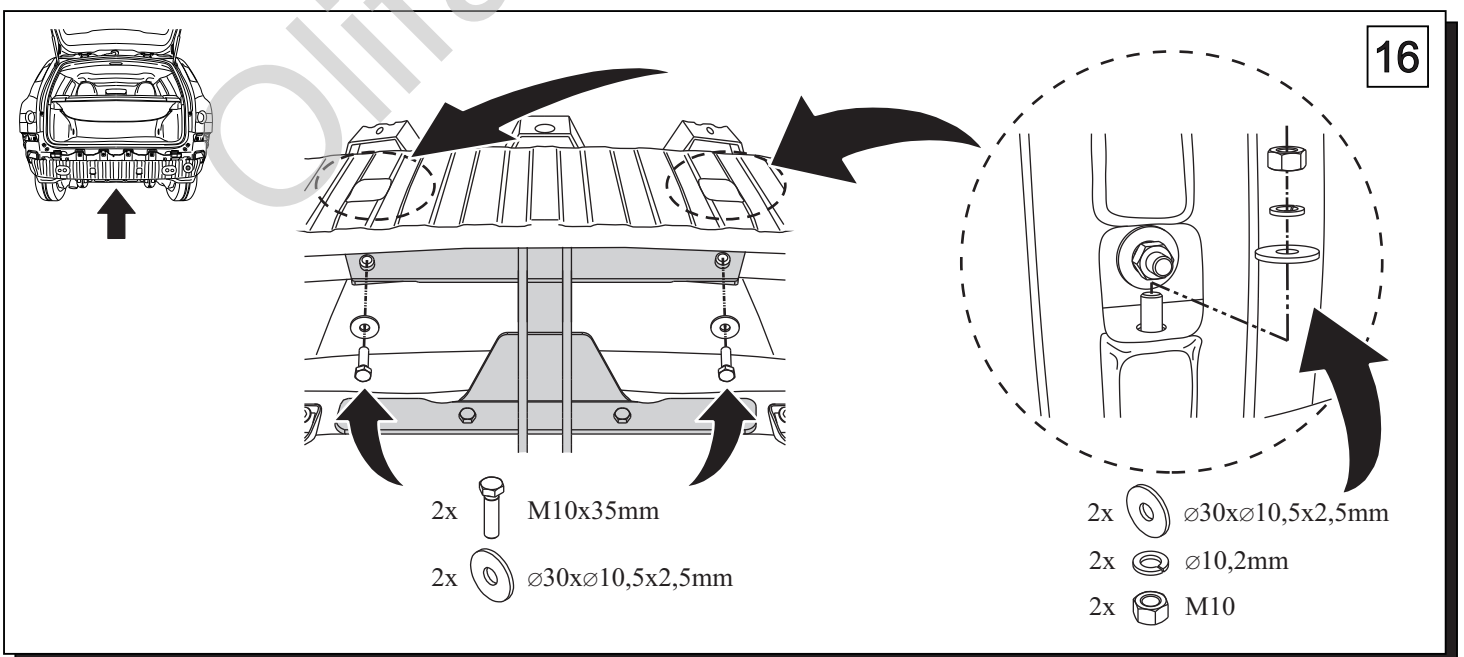
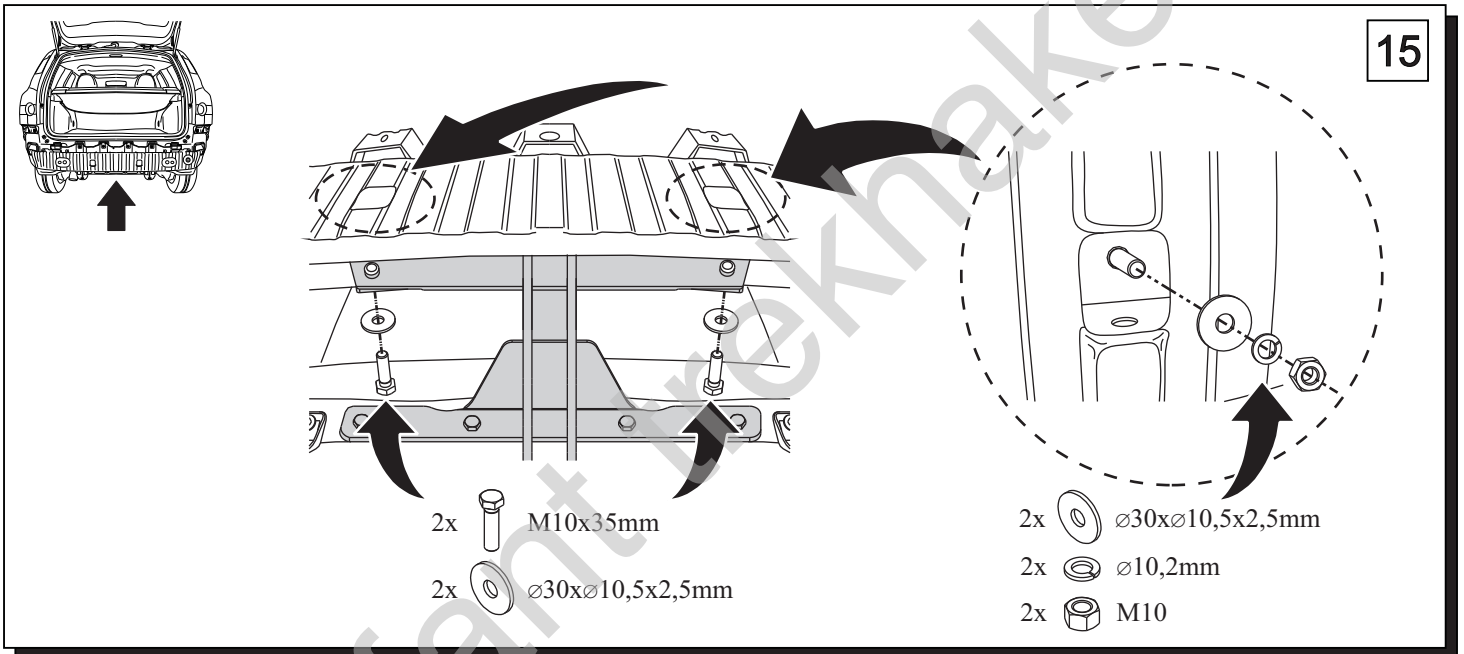
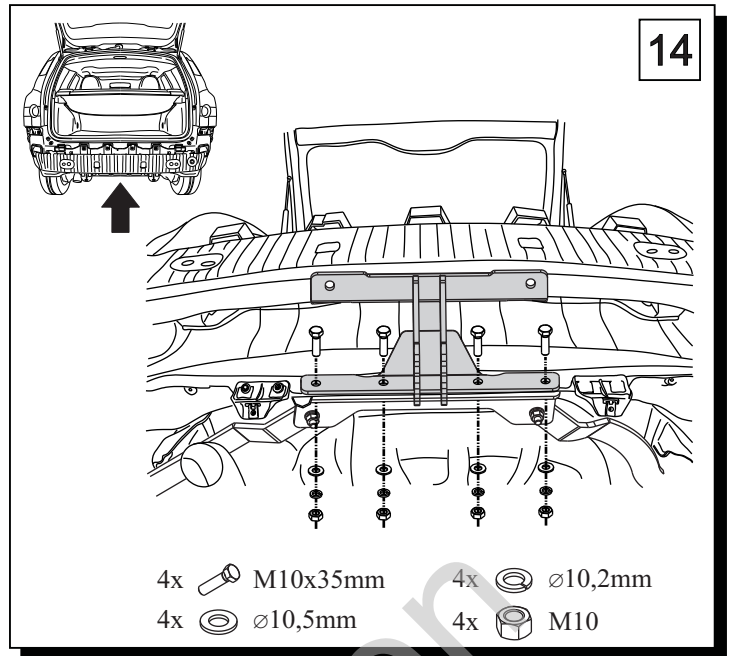
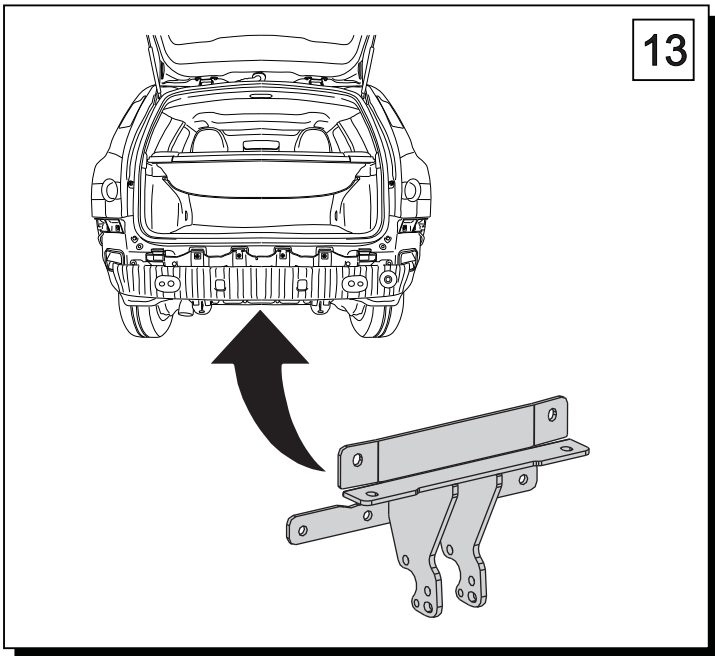
0 km → 1000 km



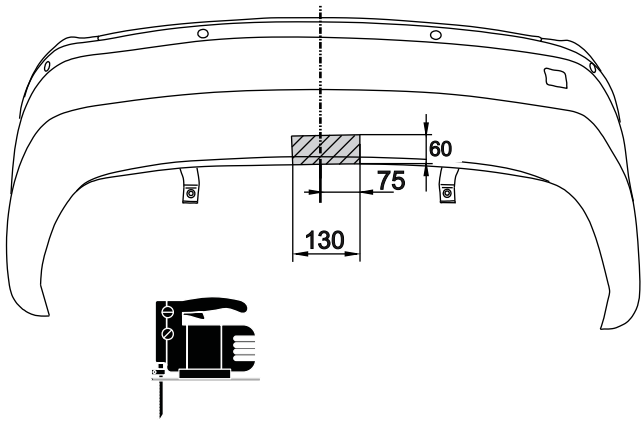
1		x 1		8 M10x35	x 14
				9 M8x35	x 6
2	 Art.nr-KL1L23A	x 1		10 $\varnothing$ 30x $\varnothing$ 10.5x2.5	x 12
				10 DIN 9021	
3		x 1		11 $\varnothing$ 10.5	x 6
				12 $\varnothing$ 8.5	x 6
4		x 2		13 $\varnothing$ 10.2	x 14
				14 $\varnothing$ 8.2	x 6
5		x 1		15 M10	x 14
6		x 1			
7	 Art.nr-BL1L23A	x 1			



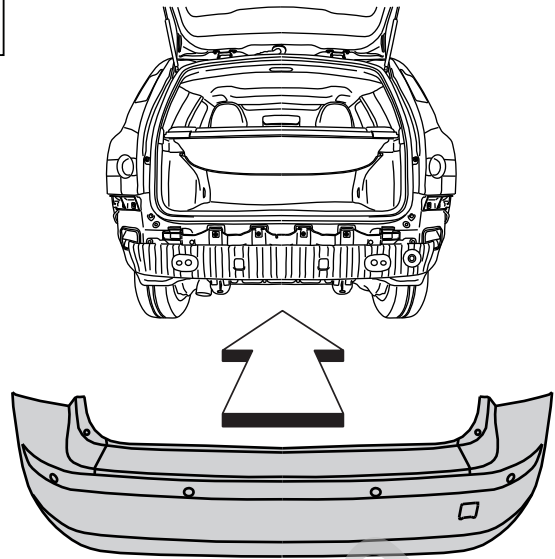




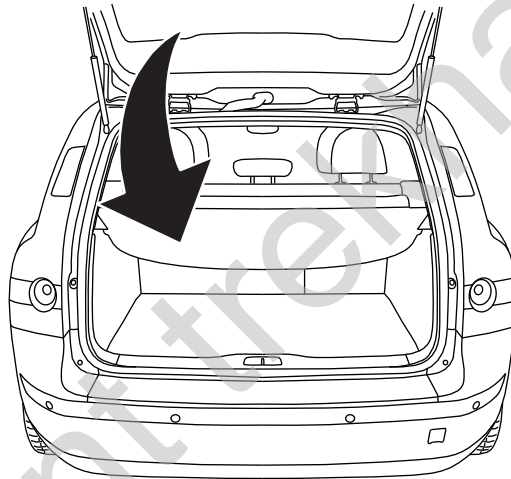
17



18



19



20

