

PPUH AUTO-HAK Sp.J.

Henryk i Zbigniew Nejman
ul. Słoneczna 16K 76-200 SŁUPSK
POLAND

tel/fax +48 59 8 414 414; +48 59 8 414 413

e-mail: office@autohak.com.pl

www.autohak.com.pl



AUTO-HAK



VOLVO XC 90

SUV, 4WD

Cat. no:

L18A



01.2003 → 08.2004

09.2004 → 04.2015



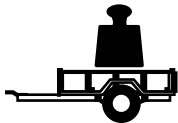
E20-55R-01 4179



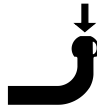
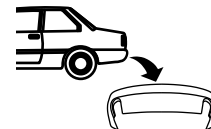
2h

D

12,2 kN



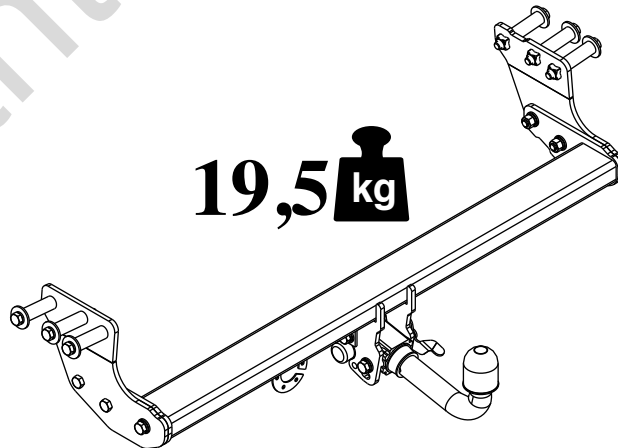
R=2250 kg



S=140 kg



19,5 kg



M6 - 11 Nm
M10 - 50 Nm
M14 - 138 Nm

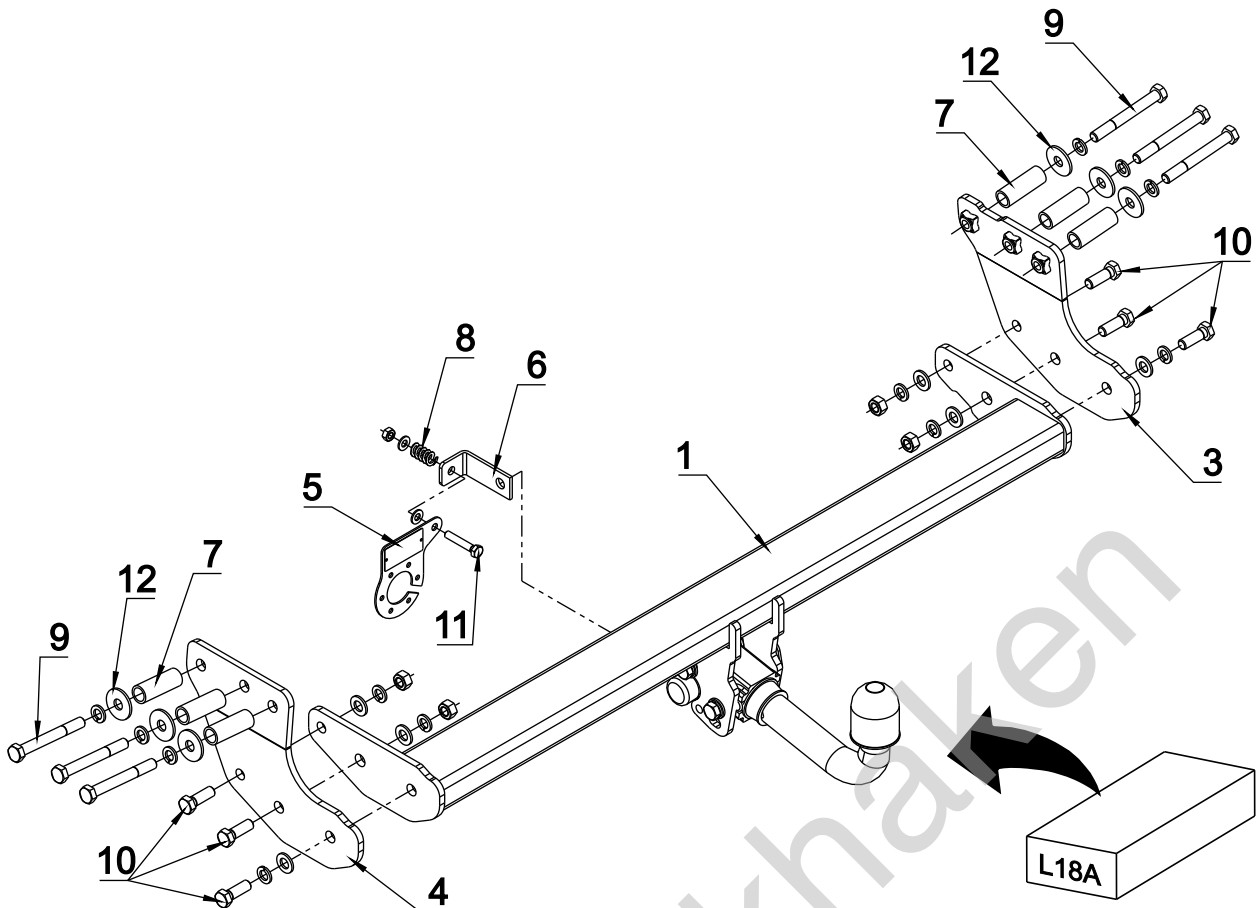
M8 - 25 Nm
M12 - 87 Nm
M16 - 210 Nm



0 km →



1000 km



1		x 1		9	M12x100	x 6	
2		x 1		10	M12x35	x 6	
					11	M8x45	x 1
					12	∅ 37x∅13x3 13 (DIN 9021)	x 6
					13	∅ 13	x 6
					14	∅ 8.4	x 2
3		x 1		15	∅ 12.2	x 12	
					16	M12	x 4
4		x 1		17	M8	x 1	
5		x 1					
6		x 1					
7		x 6					
8		x 1					
					∅21x2,65mm L=58mm		

