

PPUH AUTO-HAK Sp.J.

Henryk i Zbigniew Nejman
ul. Słoneczna 16K 76-200 SŁUPSK
POLAND

tel/fax +48 59 8 414 414; +48 59 8 414 413

e-mail: office@autohak.com.pl

www.autohak.com.pl



AUTO-HAK



VOLVO S40, 4D

09.2000 → 08.2003

VOLVO V40, KOMBI

09.2000 → 02.2004

Cat. no:

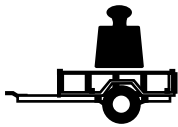
L15A



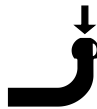
E20-55R-01 4177

D

8,22 kN



R=1500 kg



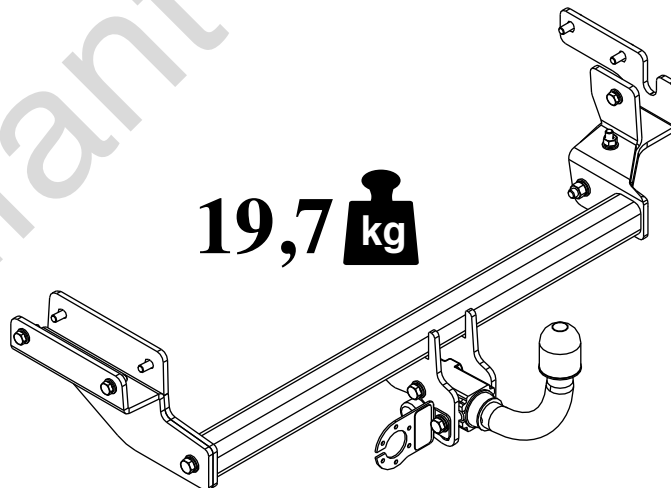
S=80 kg



2h



19,7 kg



M6 - 11 Nm
M10 - 50 Nm
M14 - 138 Nm

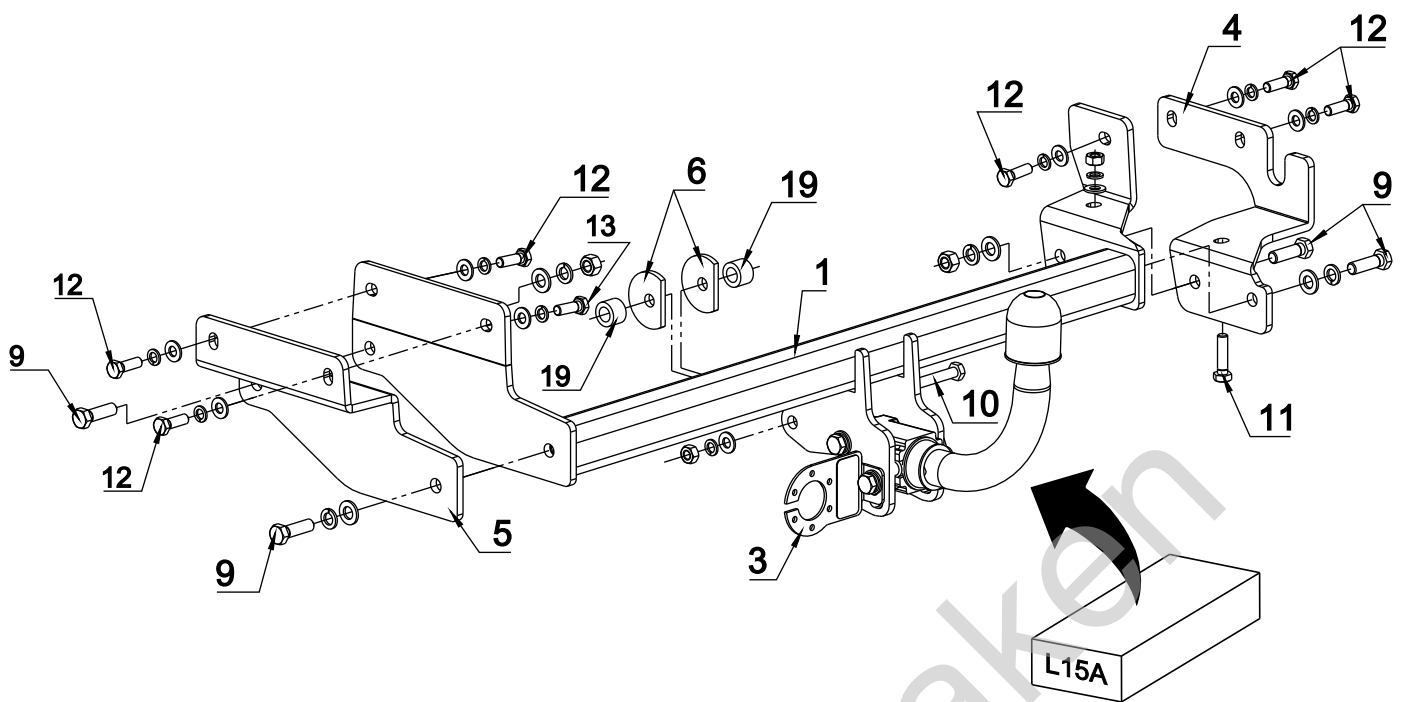
M8 - 25 Nm
M12 - 87 Nm
M16 - 210 Nm



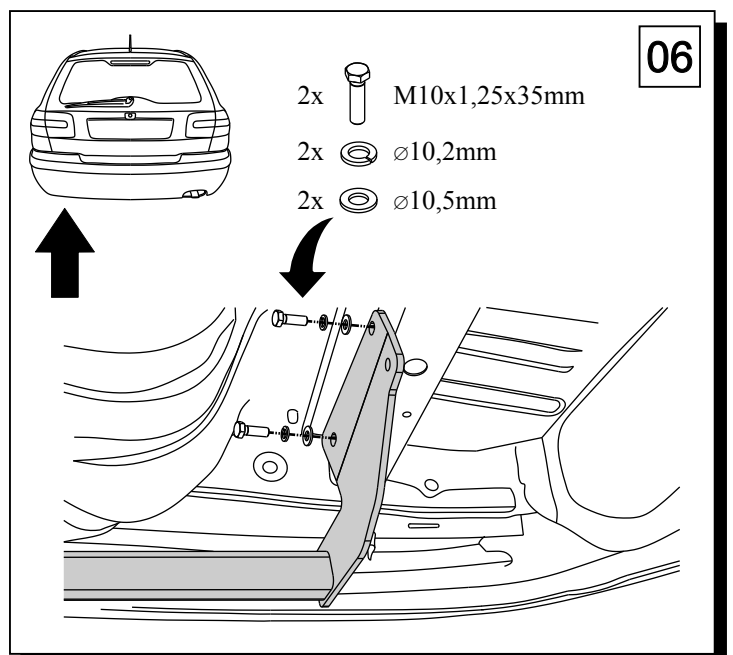
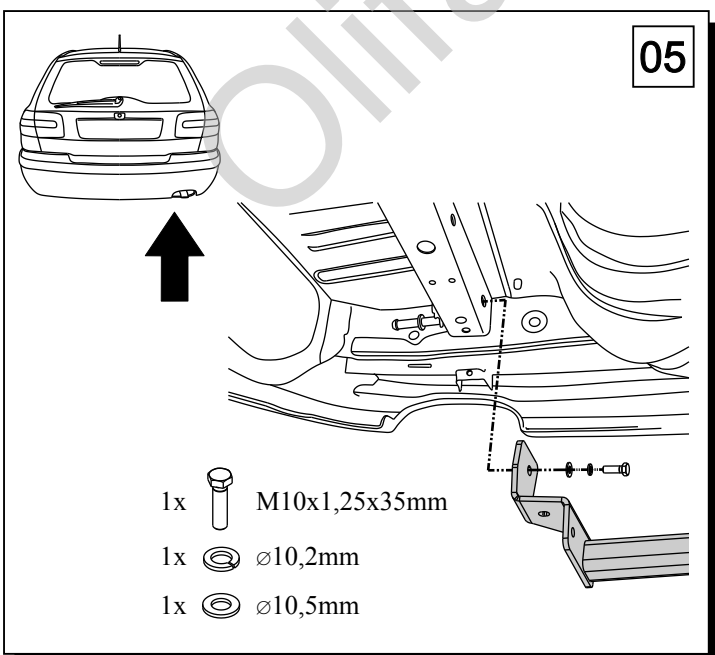
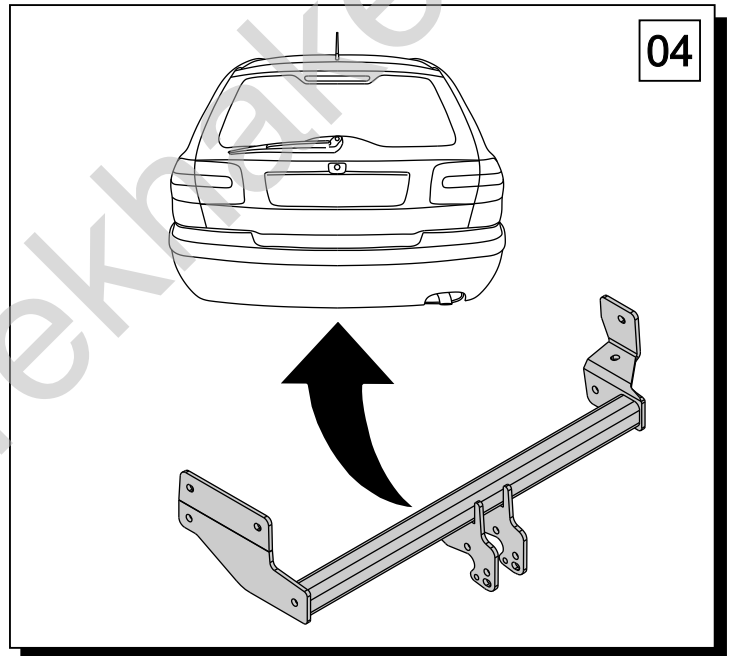
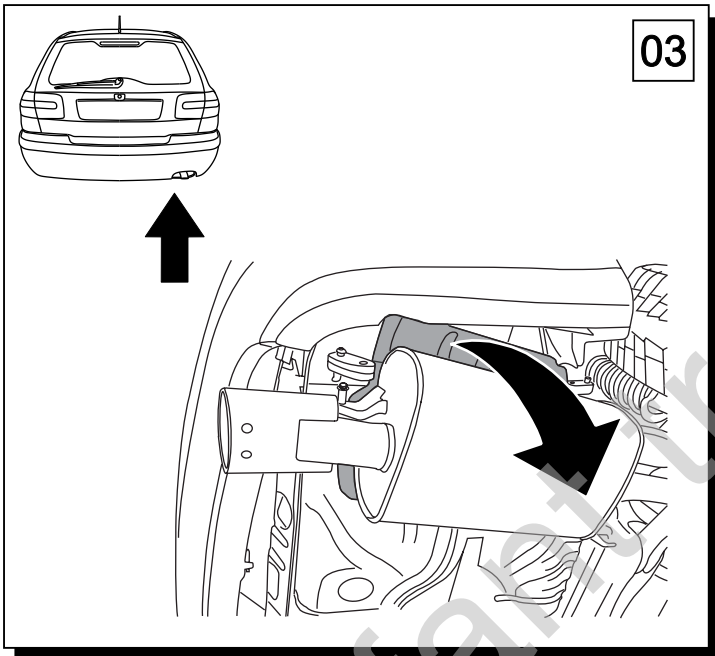
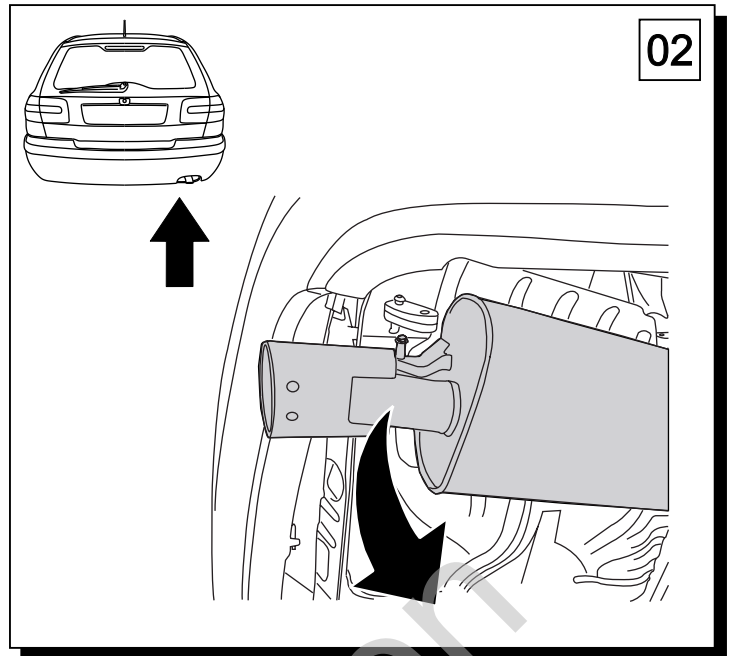
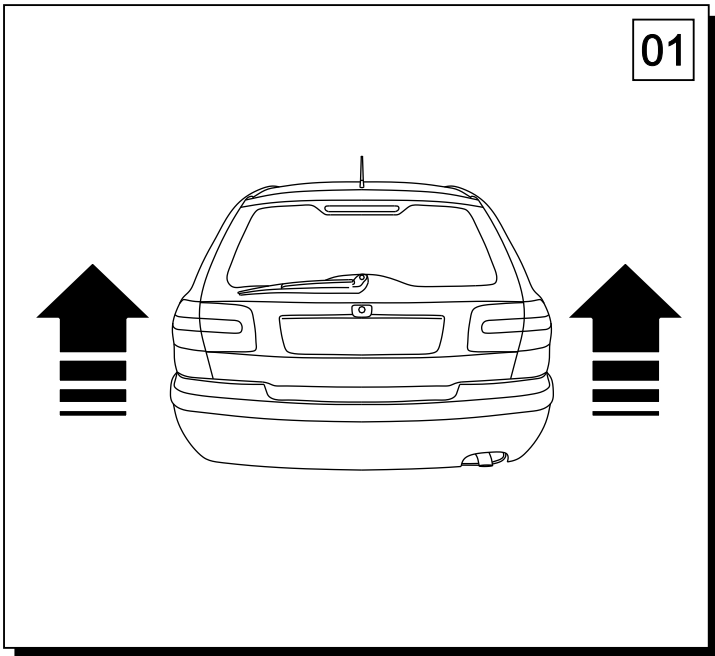
0 km →



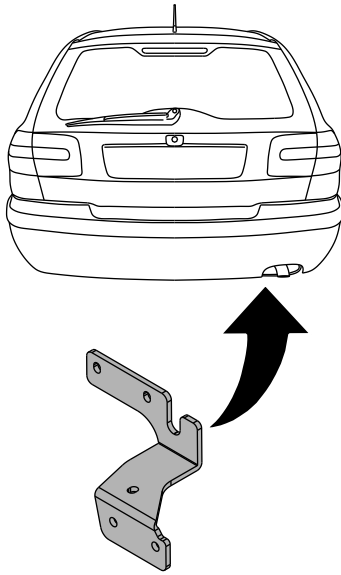
1000 km






1		x 1		9	M12x40	x 4
				10	M10x100	x 1
				11	M10x40	x 1
				12	M10x1.25x30	x 7
				13	∅ 13	x 4
2		x 1		14	∅ 10.5	x 9
				15	∅ 12.2	x 4
				16	∅ 10.2	x 9
				17	M12	x 2
3		x 1		18	M10	x 2
				19		x 2
4		x 1			∅25x5, L=17,5mm	
5		x 1				
6		x 2				
8		x 1				

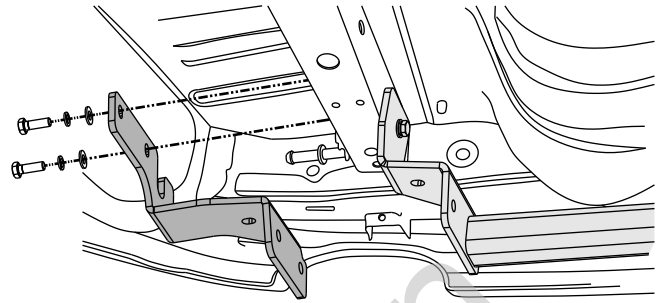
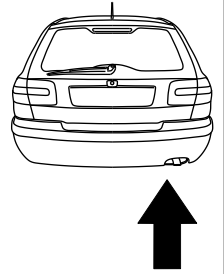


07







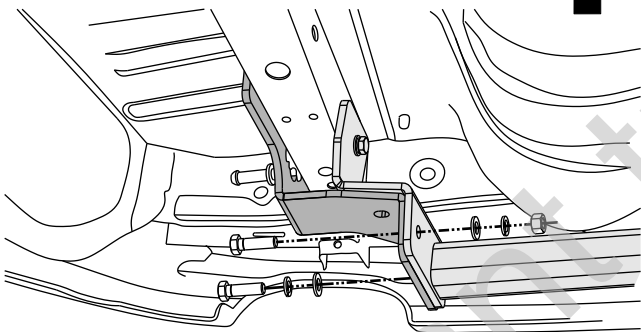
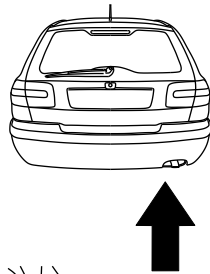
08

- 2x  M10x1,25x35mm
- 2x  $\varnothing 10,2\text{mm}$
- 2x  $\varnothing 10,5\text{mm}$






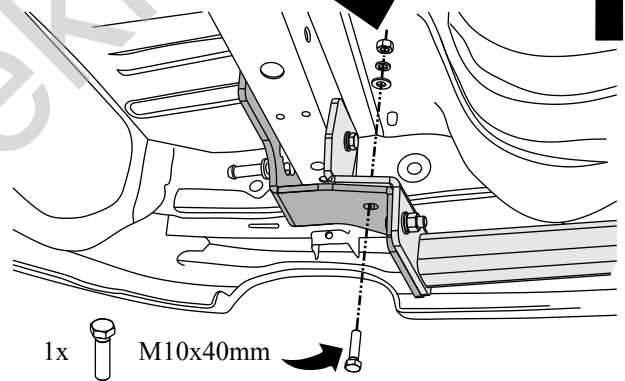
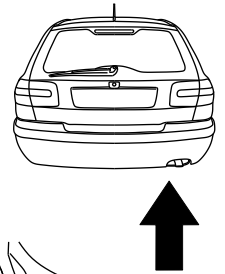
09

- 2x  M12x40mm
- 2x  $\varnothing 12,2\text{mm}$
- 2x  $\varnothing 13\text{mm}$
- 1x  M12

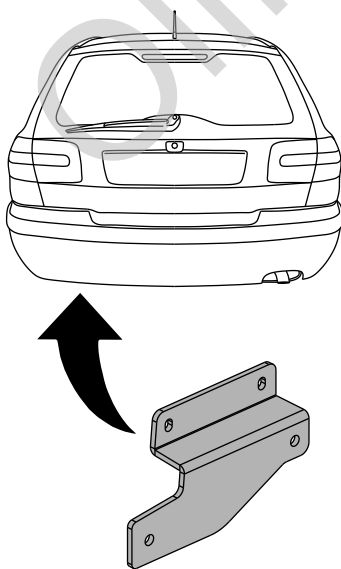


10




- 1x  $\varnothing 10,5\text{mm}$
- 1x  $\varnothing 10,2\text{mm}$
- 1x  M10



11



12

- 2x  M10x1,25x35mm
- 2x  $\varnothing 10,2\text{mm}$
- 2x  $\varnothing 10,5\text{mm}$

