

PPUH AUTO-HAK Sp.J.

Henryk & Zbigniew Nejman
ul. Słoneczna 16K 76-200 SŁUPSK
POLAND

tel/fax +48 059 8-414-414; 8-414-413

e-mail: office@autohak.com.pl

www.autohak.com.pl



AUTO-HAK



VOLVO
S40 4D
V40 KOMBI

Cat. no:

L13A



07.1995 → 08.2000



E20-55R-01 4176



2h

D

8,39 kN



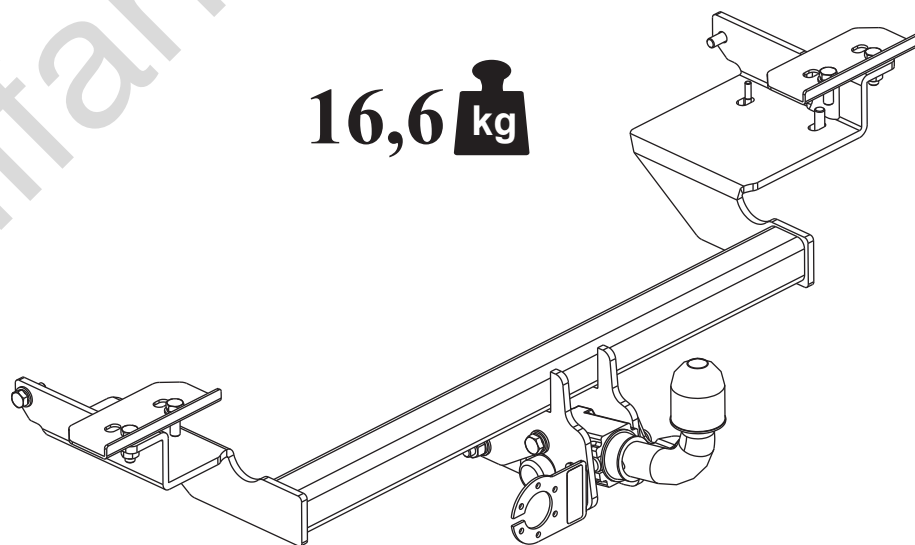
R=1600 kg

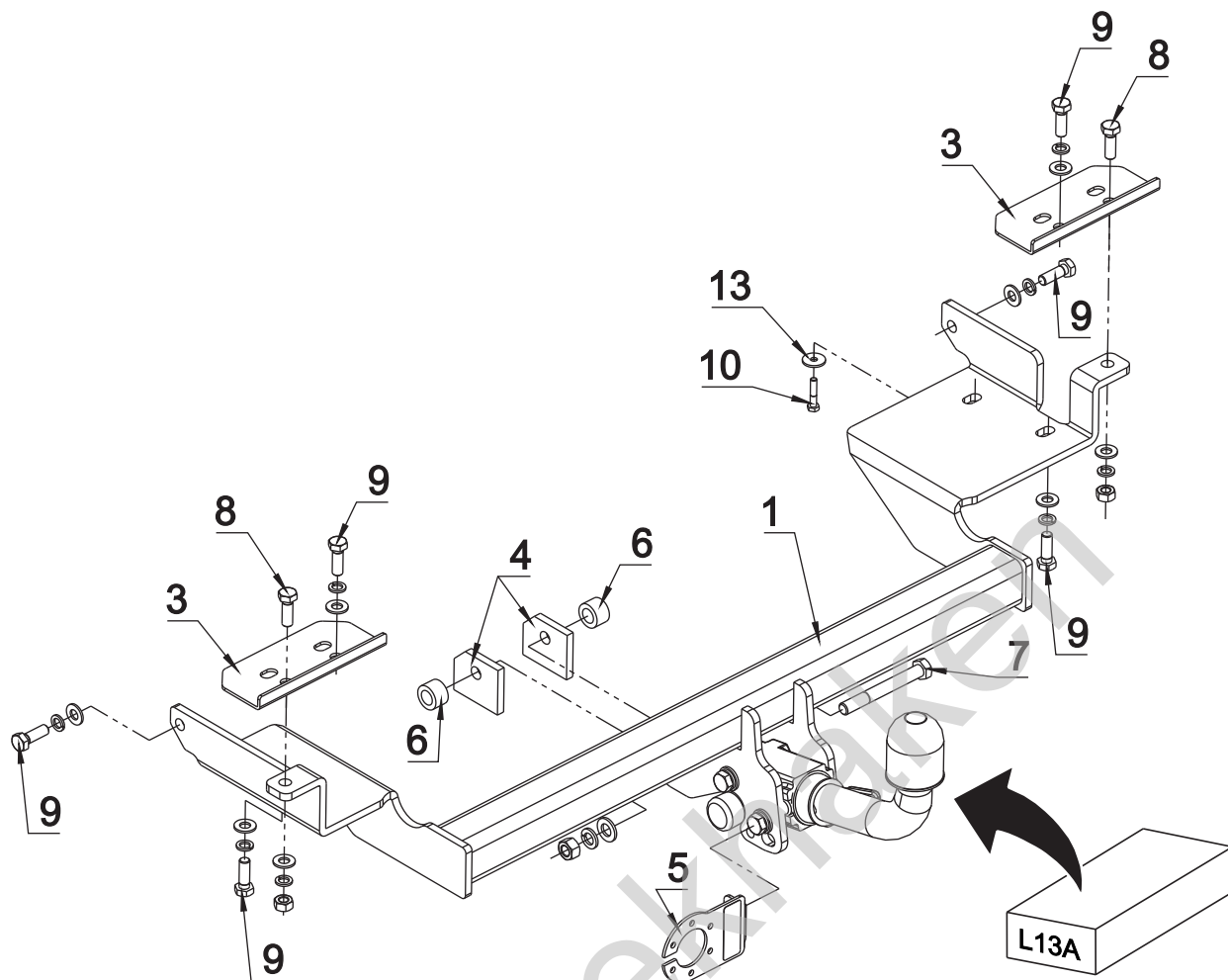


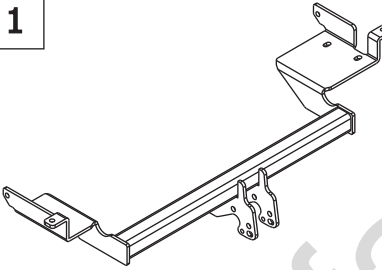
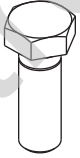
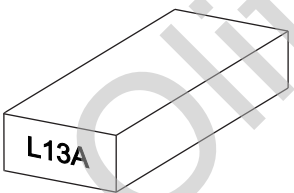

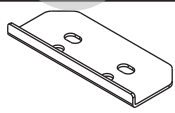

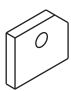

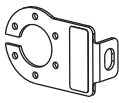

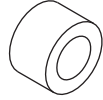
S=80 kg



16,6 kg



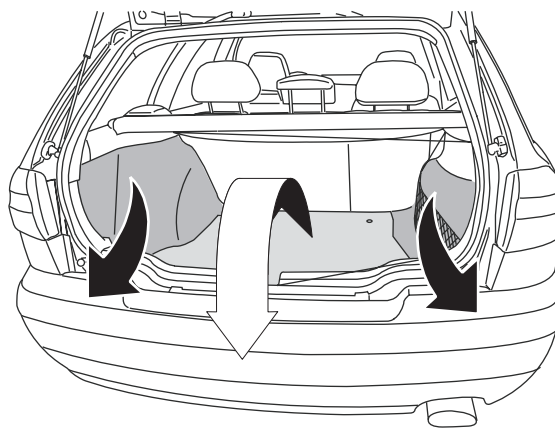


1		x1		7	M12x100	x1
				8	M10x30	x2
2		x1		9	M10x1.25x30	x6
				10	M6x30	x1
				11	∅ 13	x1
3		x2		12	∅ 10.5	x8
				13	∅ 22x∅6.5x1.5 6 (DIN 9021)	1
4		x2		14	∅ 12.2	x1
				15	∅ 10.2	x8
5		x1		16	M12	x1
				17	M10	x2
6		x2				

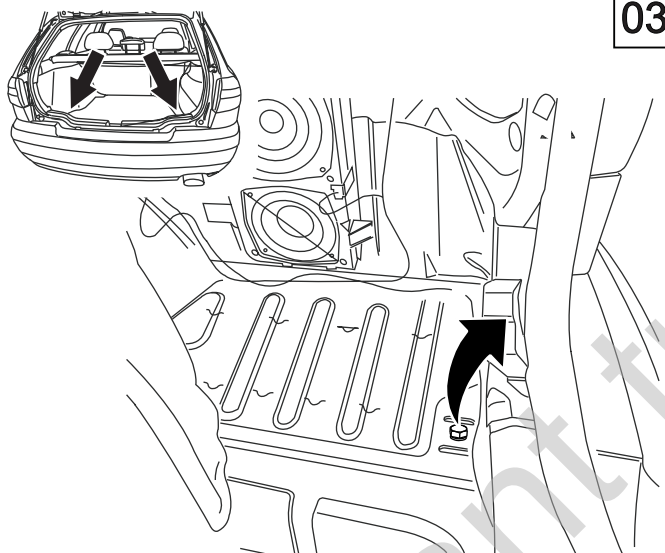
01



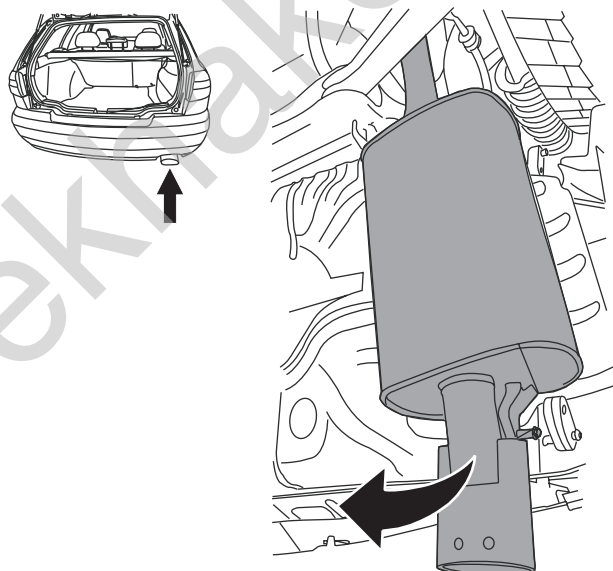
02



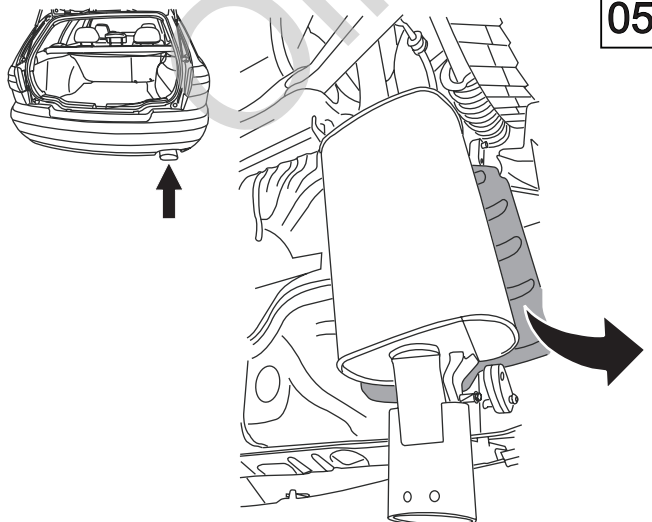
03



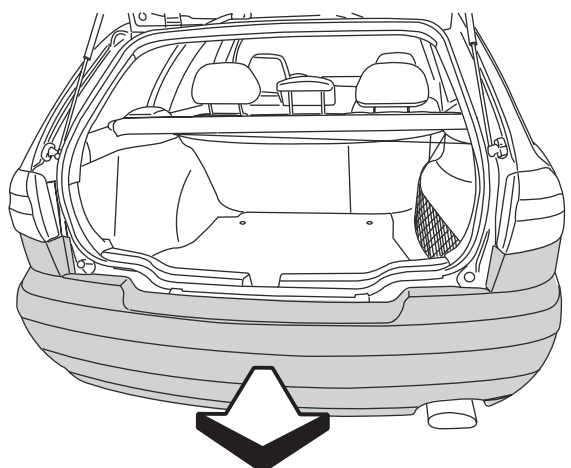
04

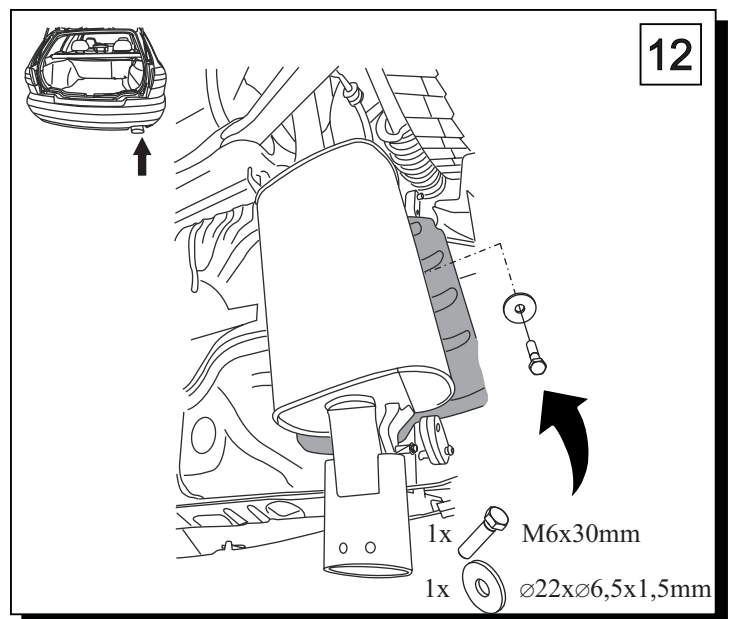
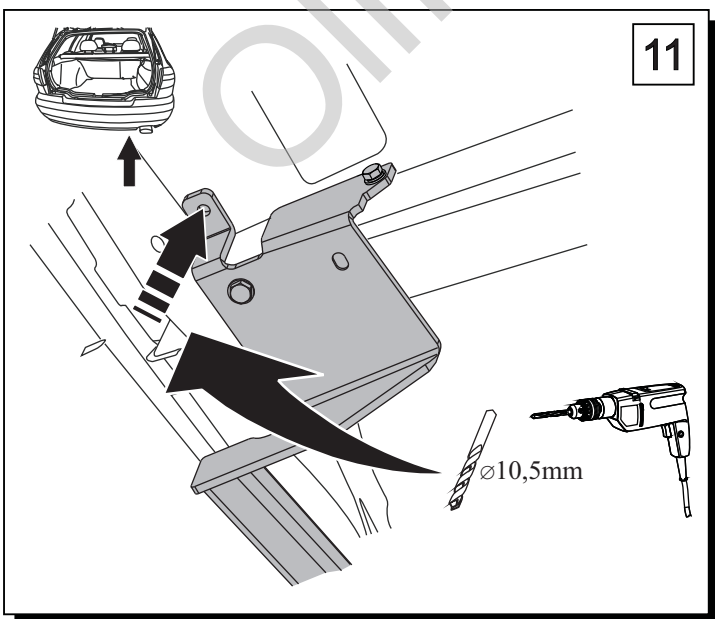
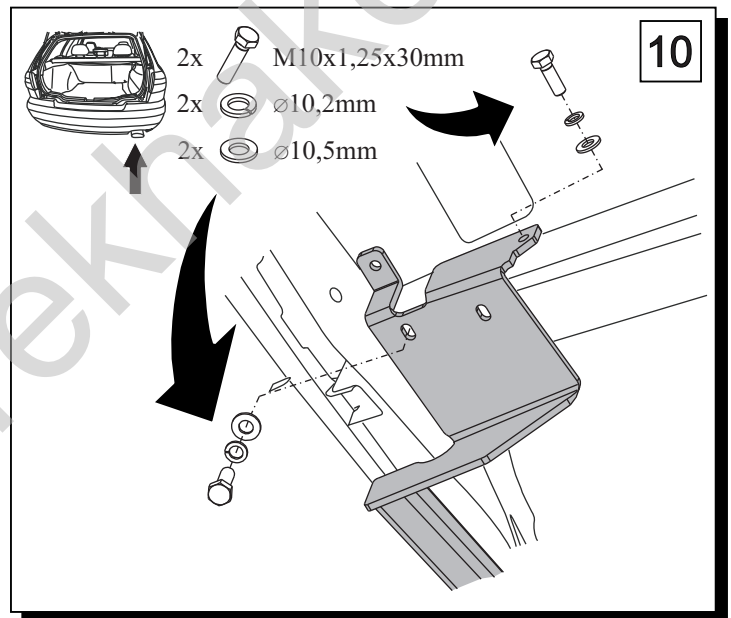
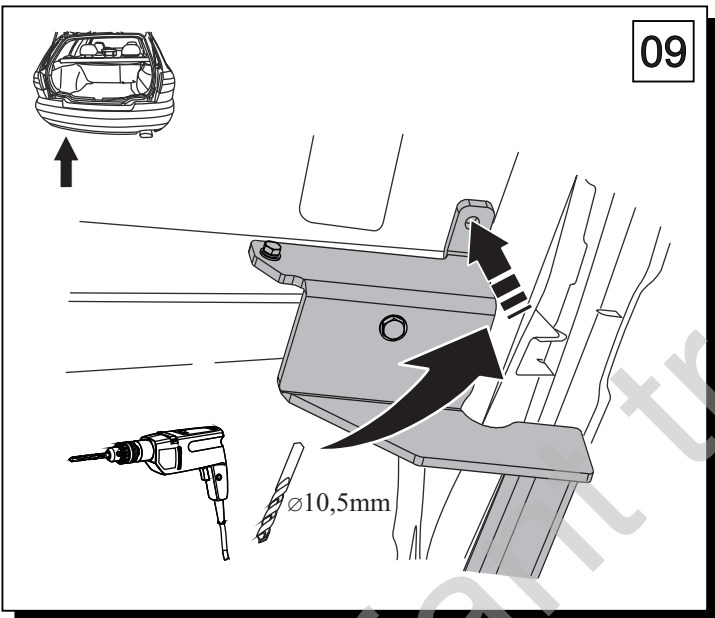
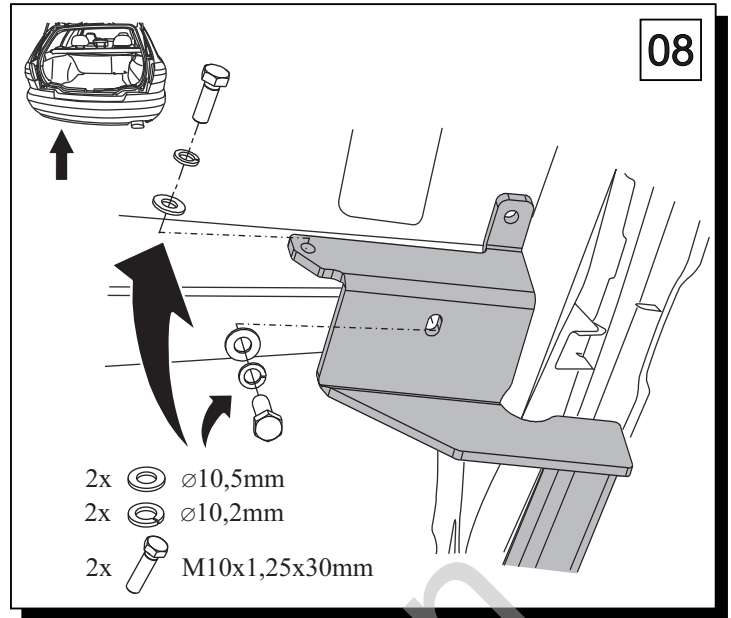
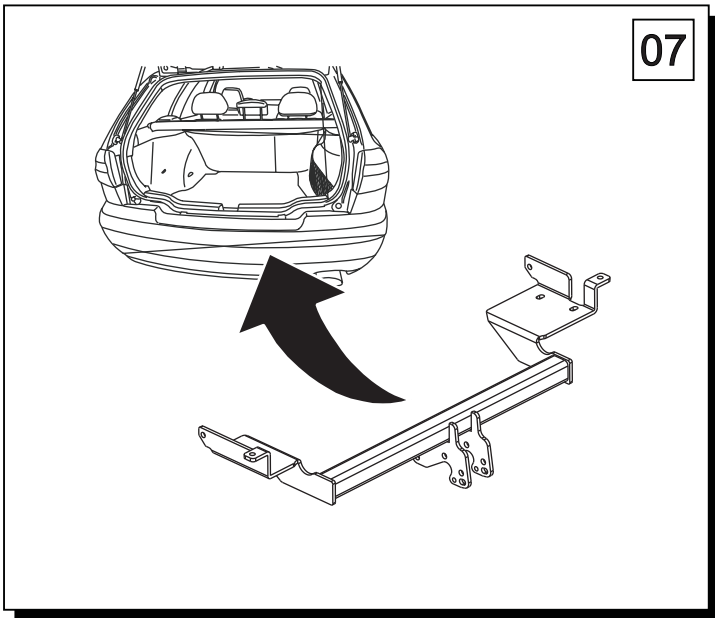


05

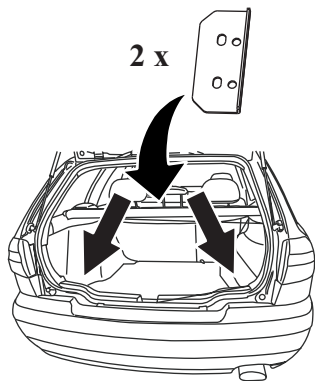


06

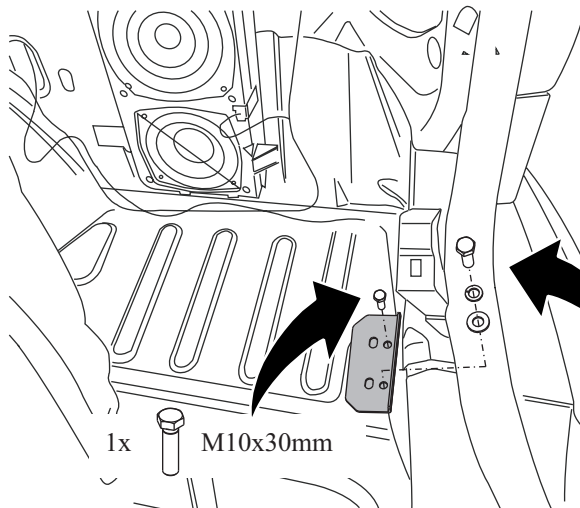




13



2 x

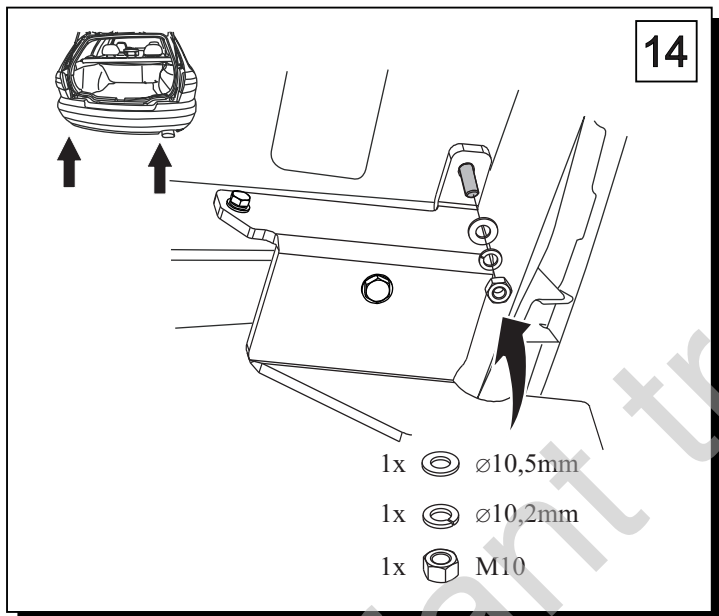


1x M10x30mm

1x M10x1,25x30mm

1x $\varnothing 10,2\text{mm}$

1x $\varnothing 10,5\text{mm}$

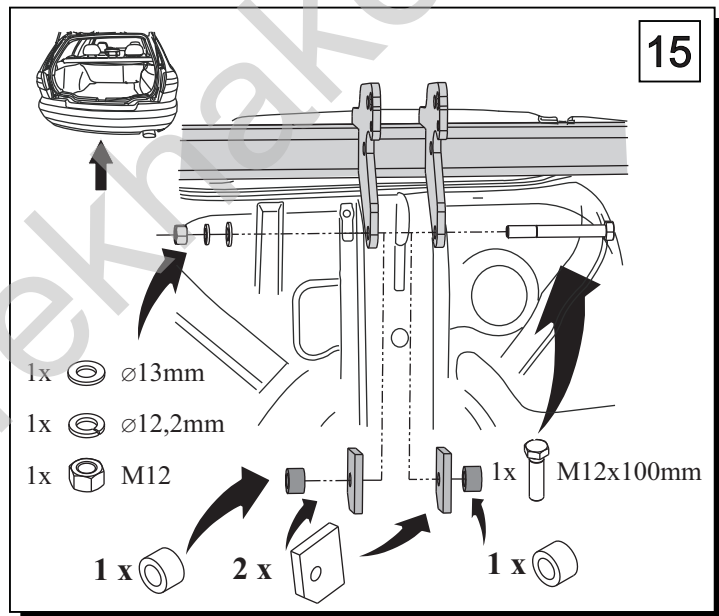


14

1x $\varnothing 10,5\text{mm}$

1x $\varnothing 10,2\text{mm}$

1x M10



15

1x $\varnothing 13\text{mm}$

1x $\varnothing 12,2\text{mm}$

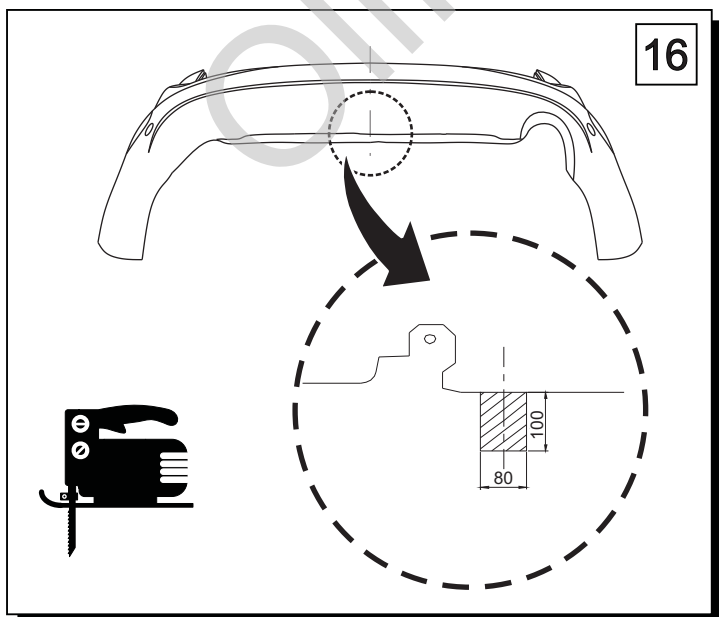
1x M12

1x M12x100mm

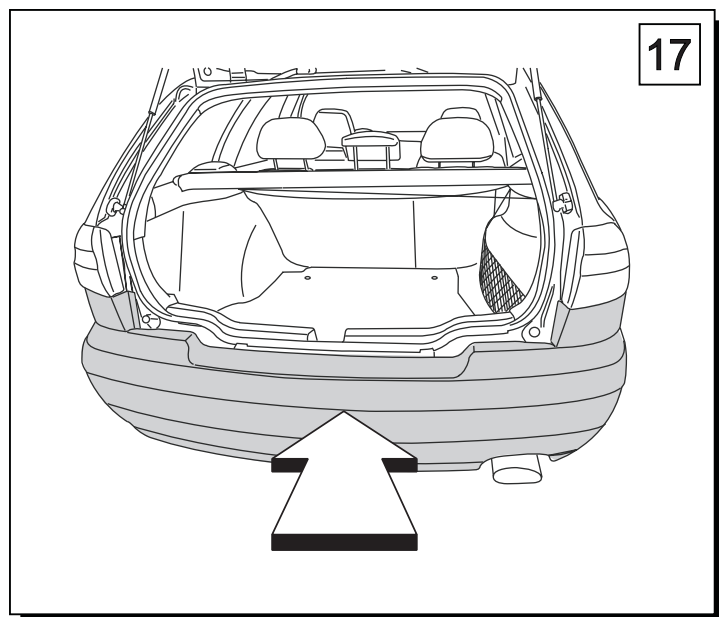
1 x

2 x

1 x

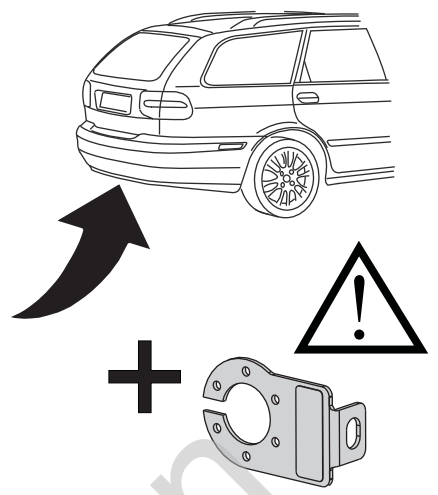
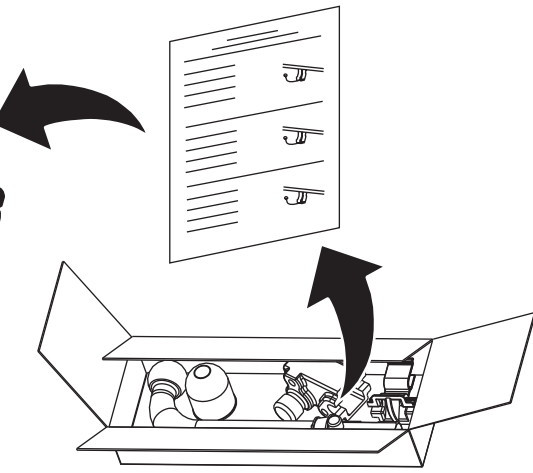
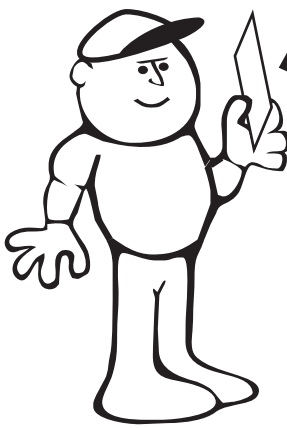


16



17

L13A



	M6 - 11 Nm	M8 - 25 Nm
	M10 - 50 Nm	M12 - 87 Nm
	M14 - 138 Nm	M16 - 210 Nm

0 km → 1000 km

Olifant trekkers