

PPUH AUTO-HAK Sp.J.

Henryk i Zbigniew Nejman
ul. Słoneczna 16K 76-200 SŁUPSK
POLAND

tel/fax +48 59 8 414 414; +48 59 8 414 413

e-mail: office@autohak.com.pl

www.autohak.com.pl



AUTO-HAK



VOLVO 850 KOMBI, ~~4WD~~



06.1991 → 10.1997



VOLVO S70 4D, ~~4WD~~



01.1997 → 10.2000



**VOLVO V70 KOMBI
(P80), ~~4WD~~**



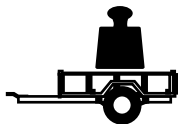
01.1997 → 03.2000



E20-55R-01 4175

D

9,7 kN



R=1900 kg



S=80 kg

Cat. no:

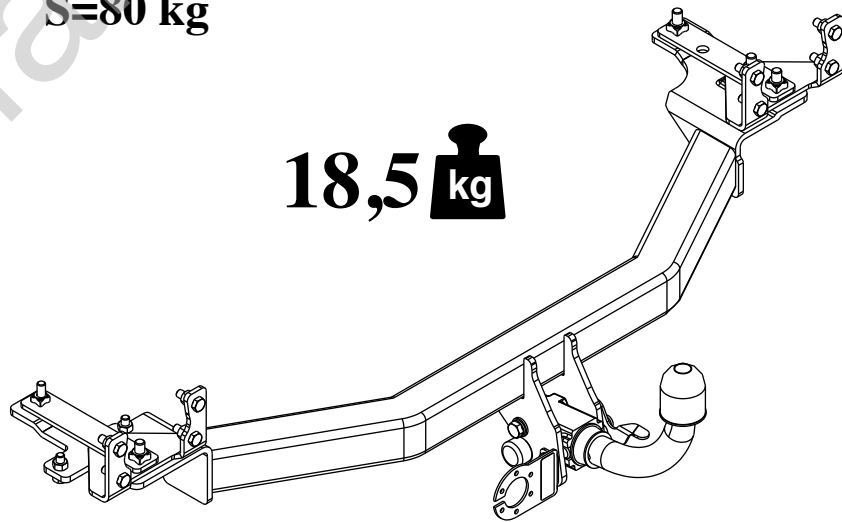
L03A

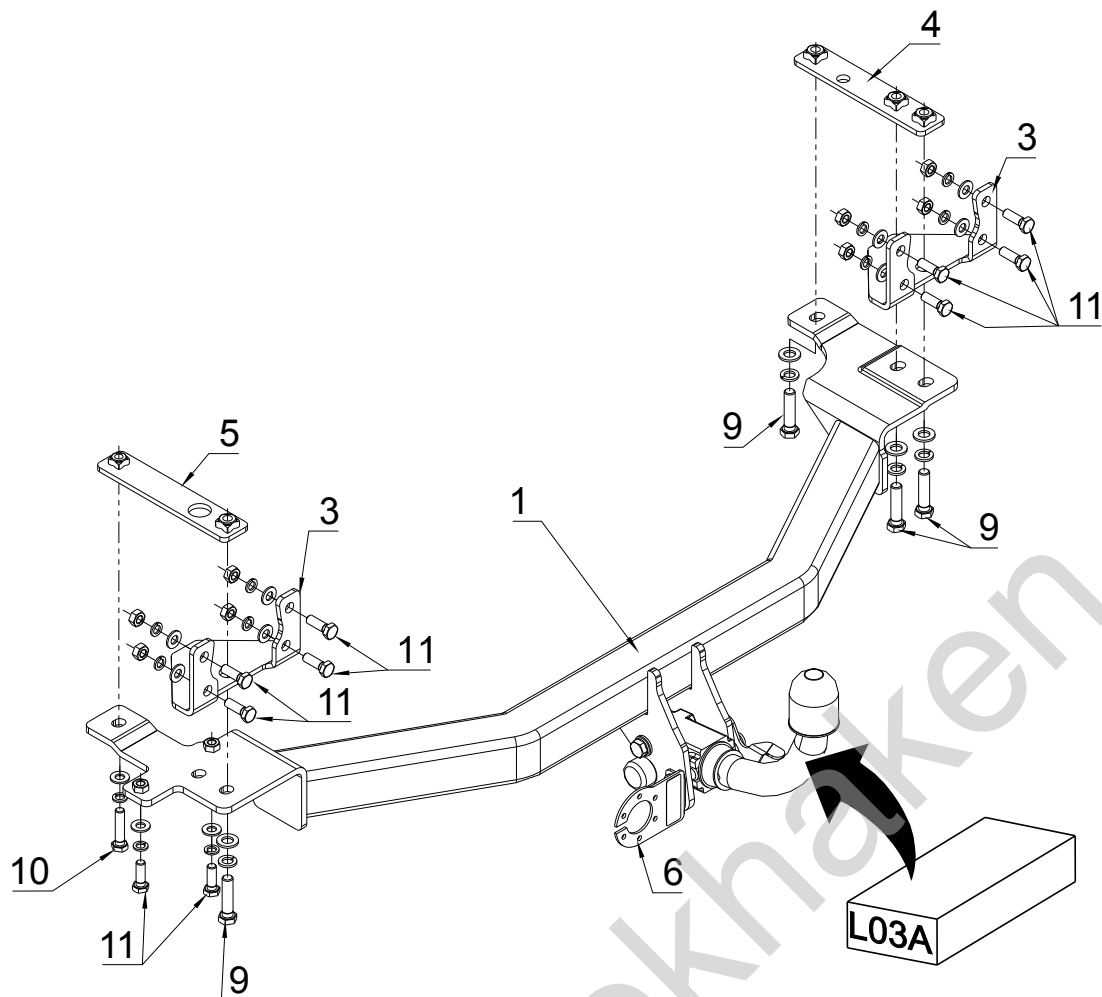


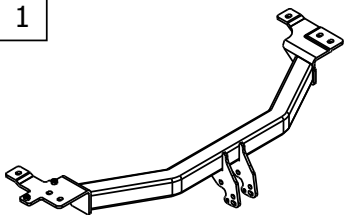




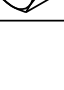



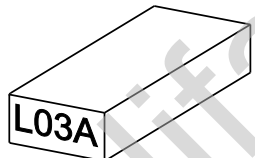



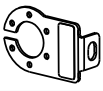

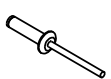
2h

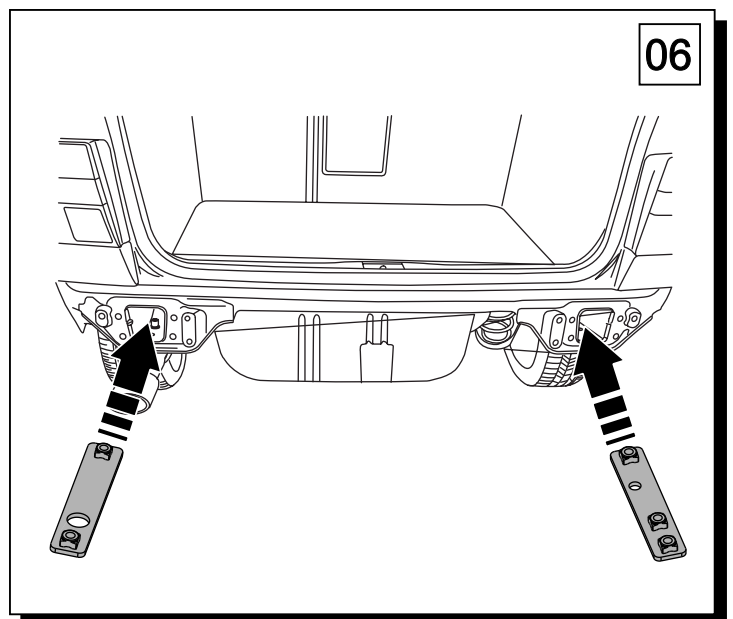
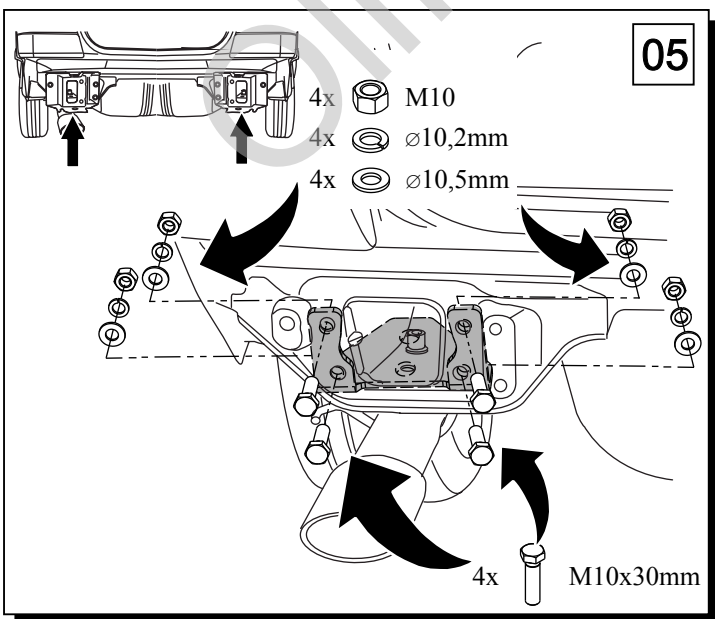
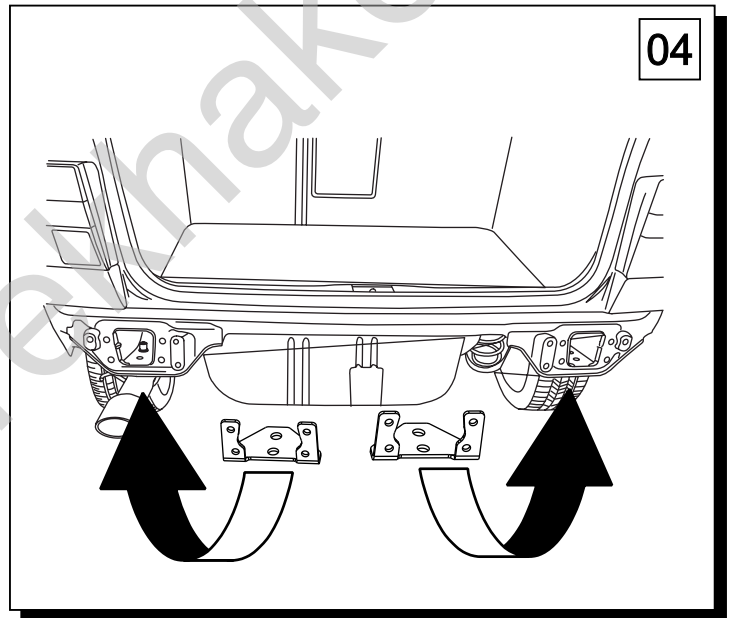
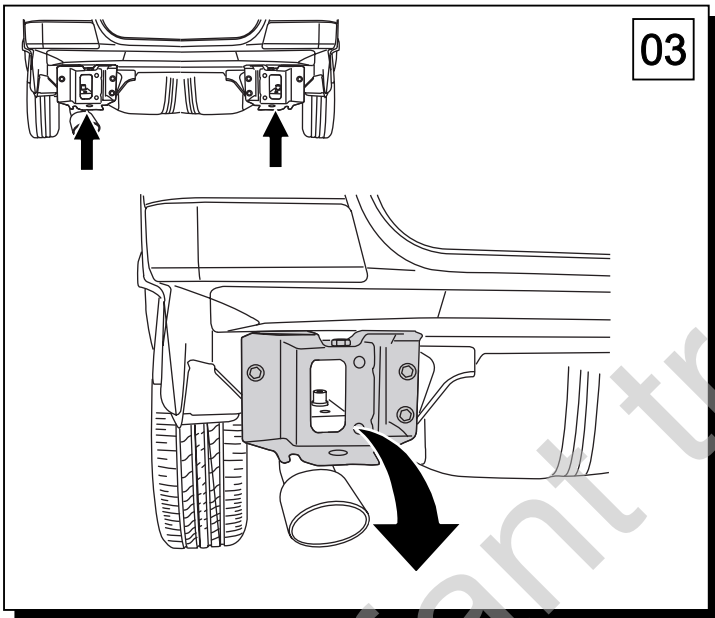
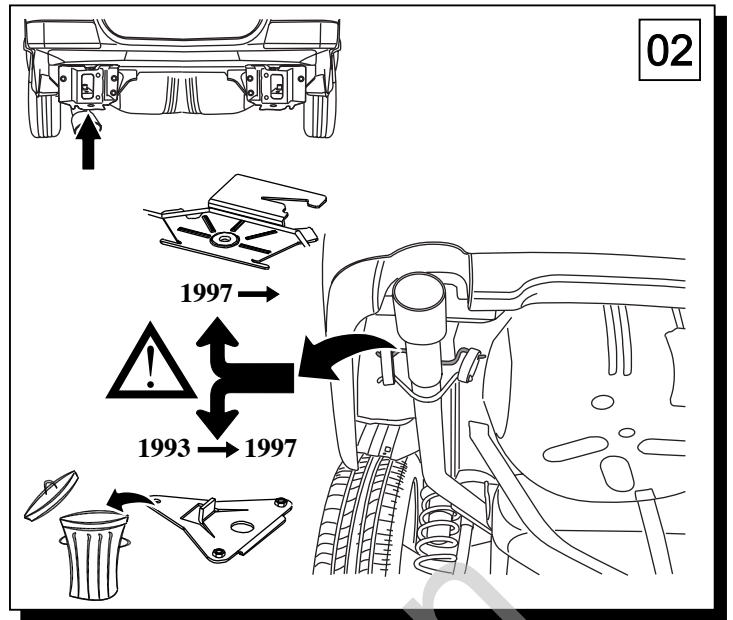
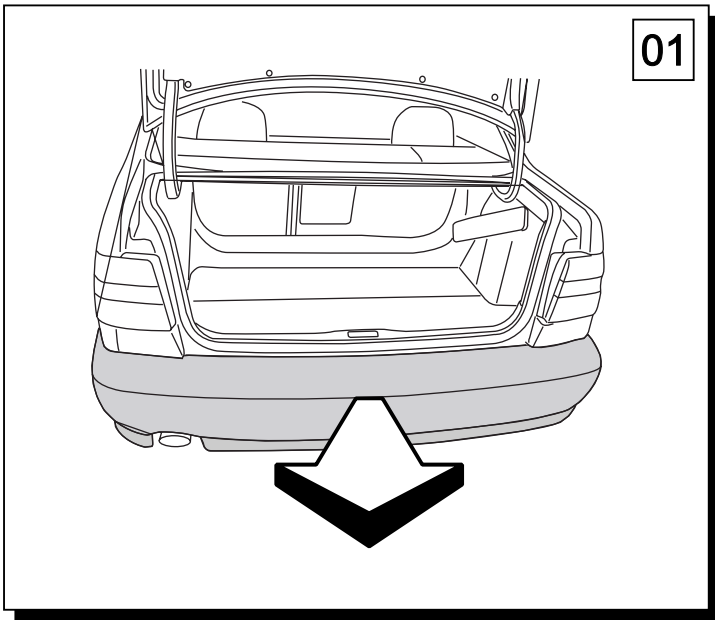


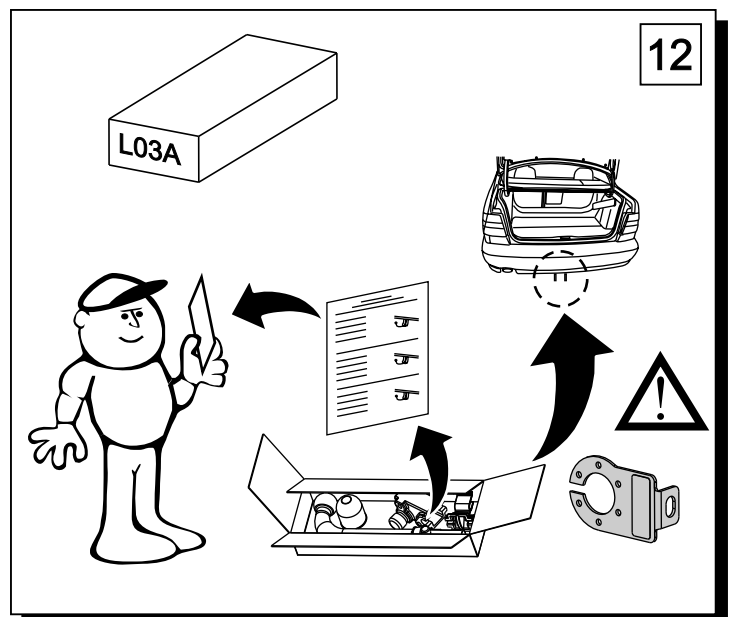
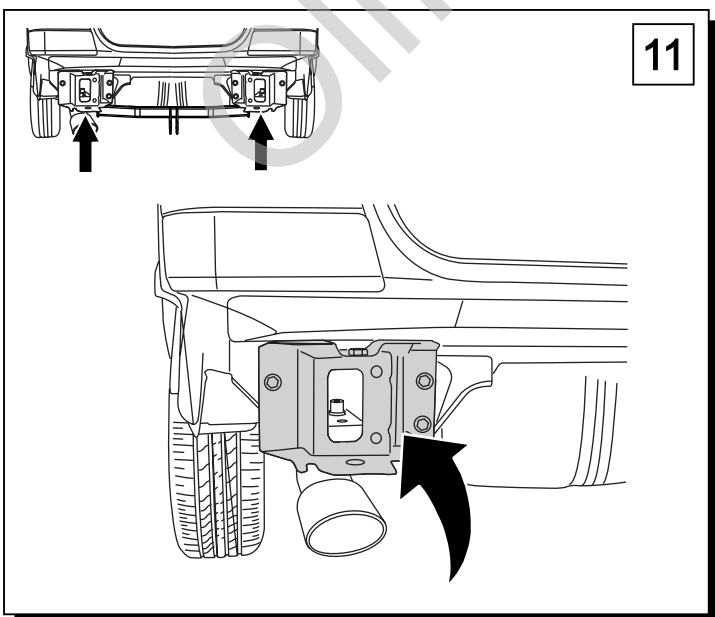
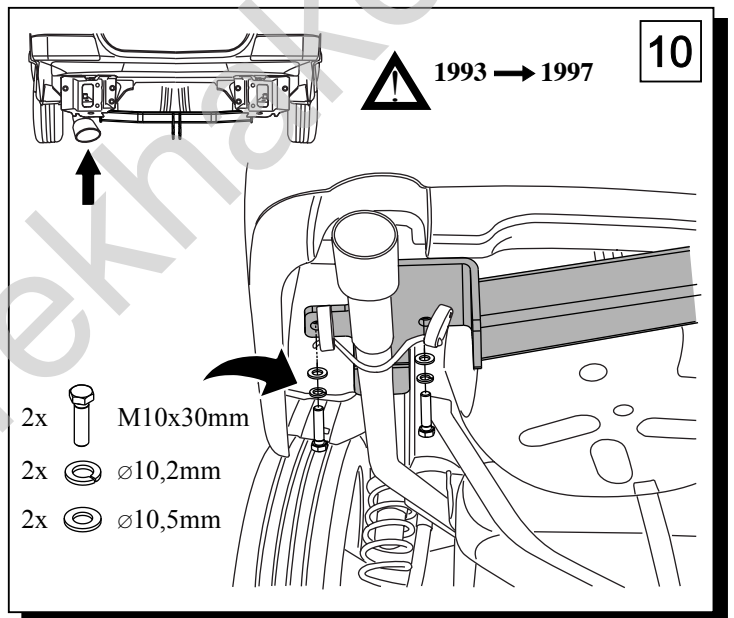
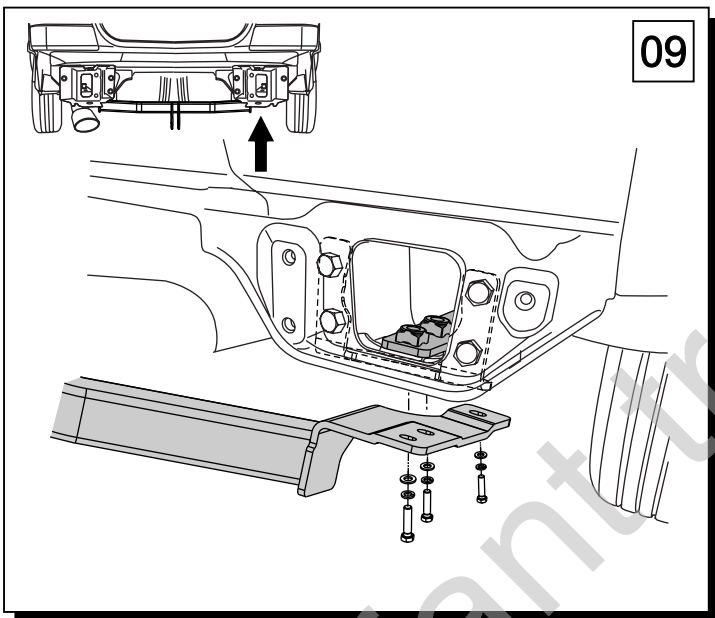
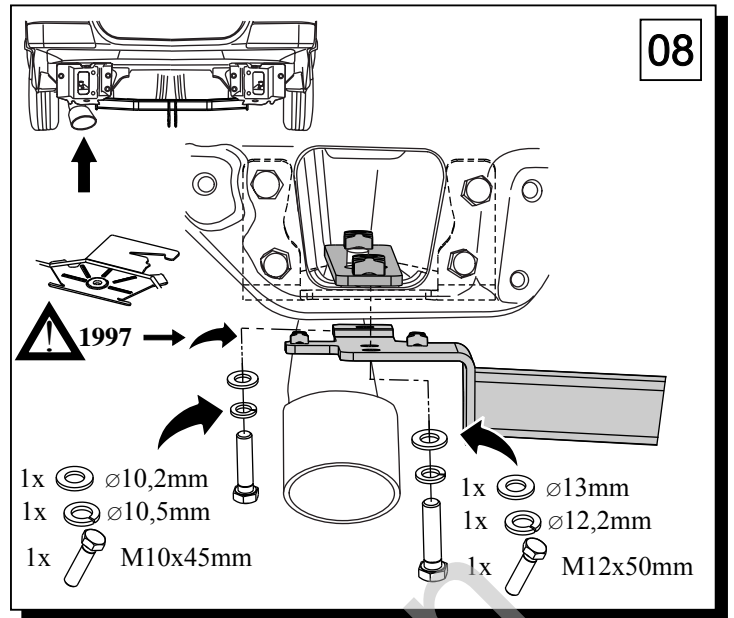
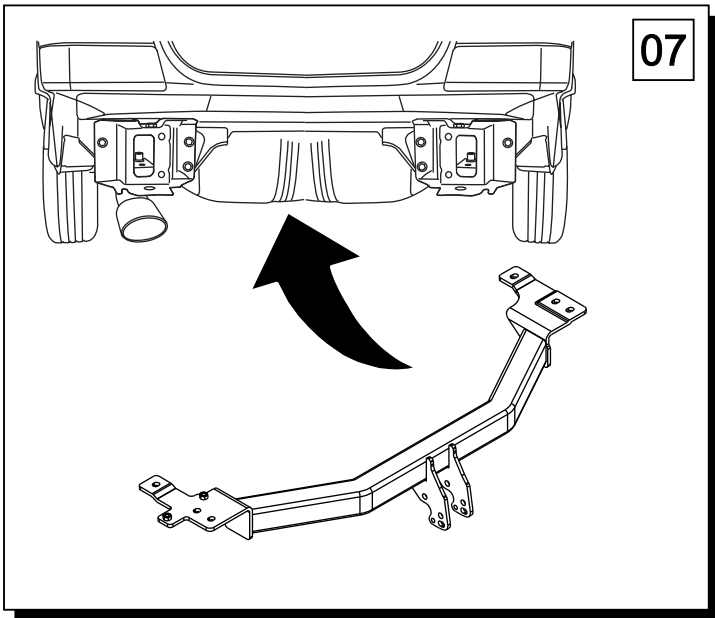
18,5 kg




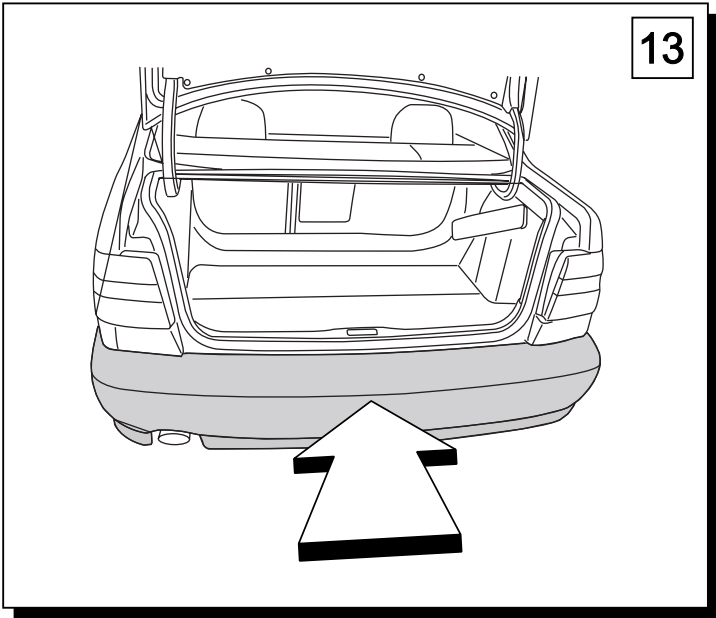


	x 1	       	9 M12x50	x 4
			10 M10x45	x 1
			11 M10x30	x 10
			12 \varnothing 13	x 4
	x 1		13 \varnothing 10.5	x 11
	Art.nr-KL1L03A		14 \varnothing 12.2	x 4
			15 \varnothing 10.2	x 11
	x 2		16 M10	x 8
	x 1			
	x 1			
	x 1			
	x 1	Art.nr-BL1L03A		
	x 6			







13



M6	-	11 Nm	M8	-	25 Nm
M10	-	50 Nm	M12	-	87 Nm
M14	-	138 Nm	M16	-	210 Nm

 **0 km** →  **1000 km**

Olifant trekhaken