

# PPUH AUTO-HAK Sp.J.

Henryk i Zbigniew Nejman  
ul. Słoneczna 16K 76-200 SŁUPSK  
POLAND

tel/fax +48 59 8 414 414; +48 59 8 414 413

e-mail: [office@autohak.com.pl](mailto:office@autohak.com.pl)

[www.autohak.com.pl](http://www.autohak.com.pl)



# AUTO-HAK

## VOLKSWAGEN TOUAREG

Cat. no:

**K74A**



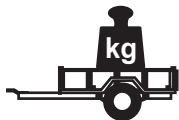
06.2018 →



E20-55R-01 5589



16,3 kN



R=3500 kg



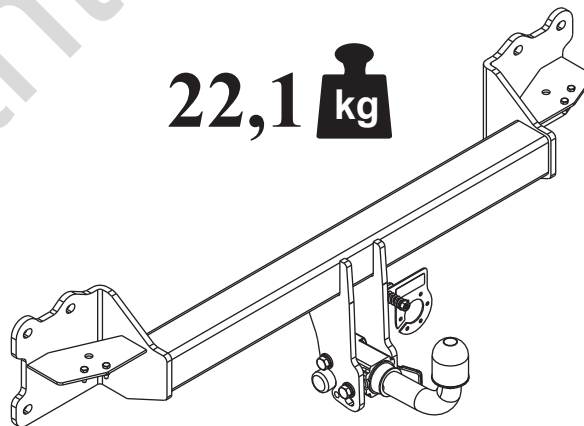
S=140 kg



2h



22,1  kg



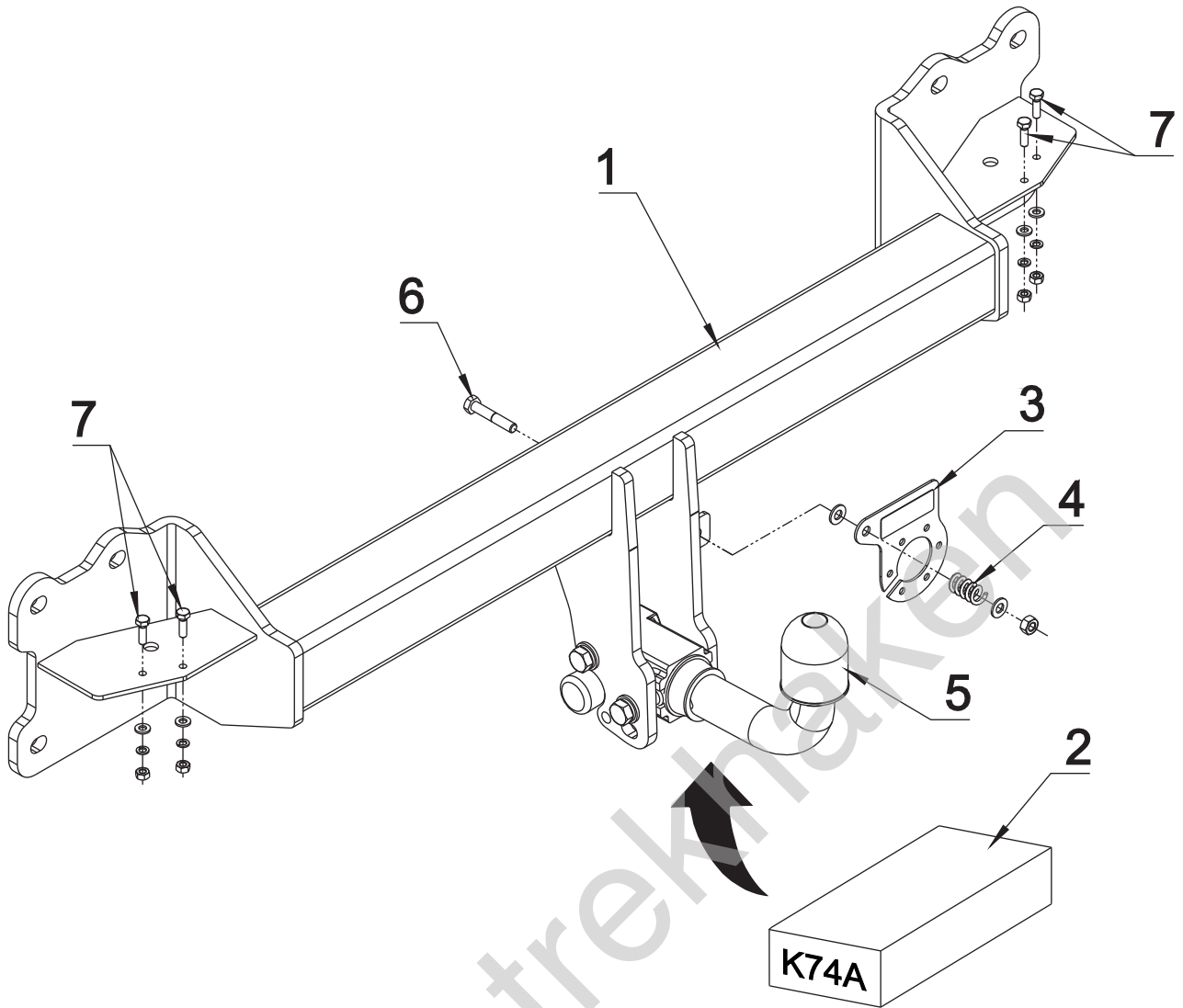
śruba	Nm	M6	M8	M10	M12	M14	M16
klasa 8.8		9,9	24	48	83	132	200
klasa 10.9		14	34	67	117	185	285

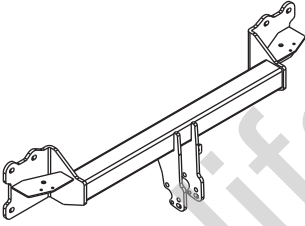
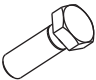




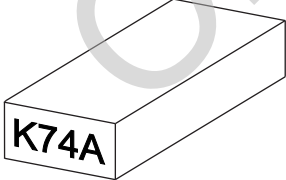




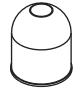


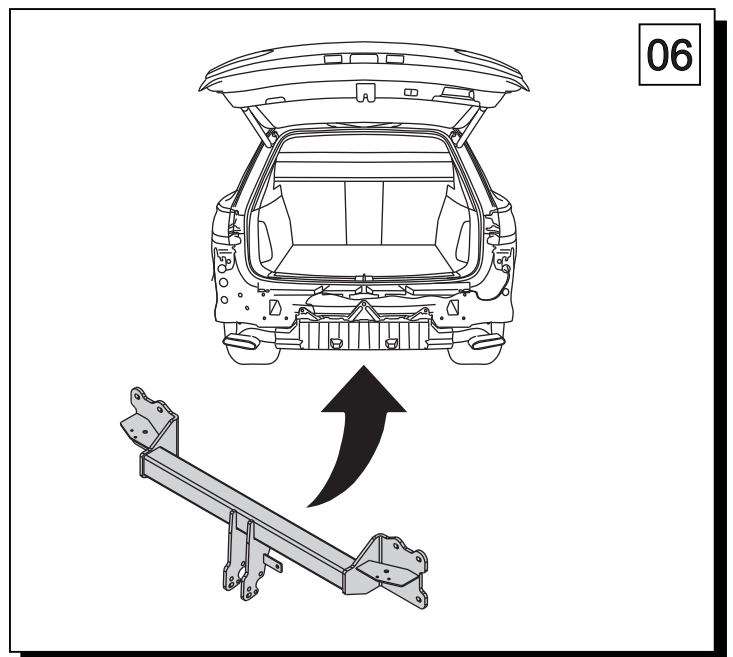
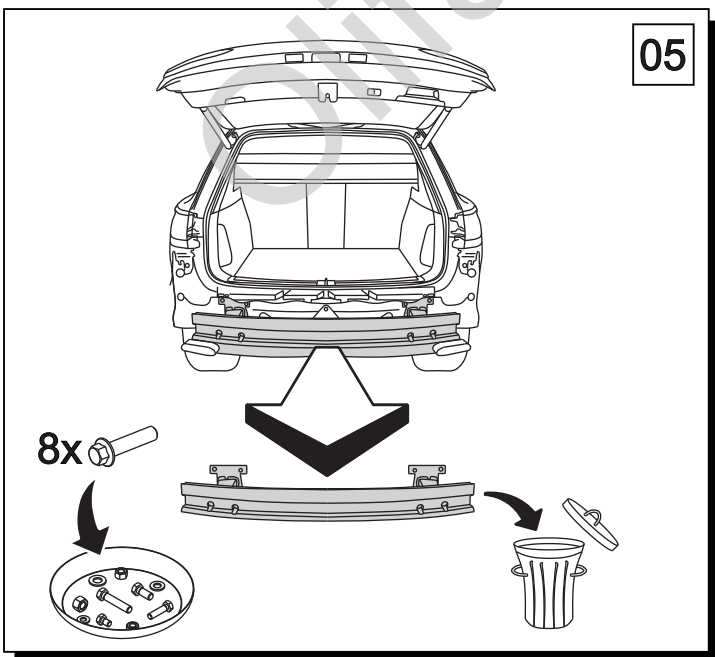
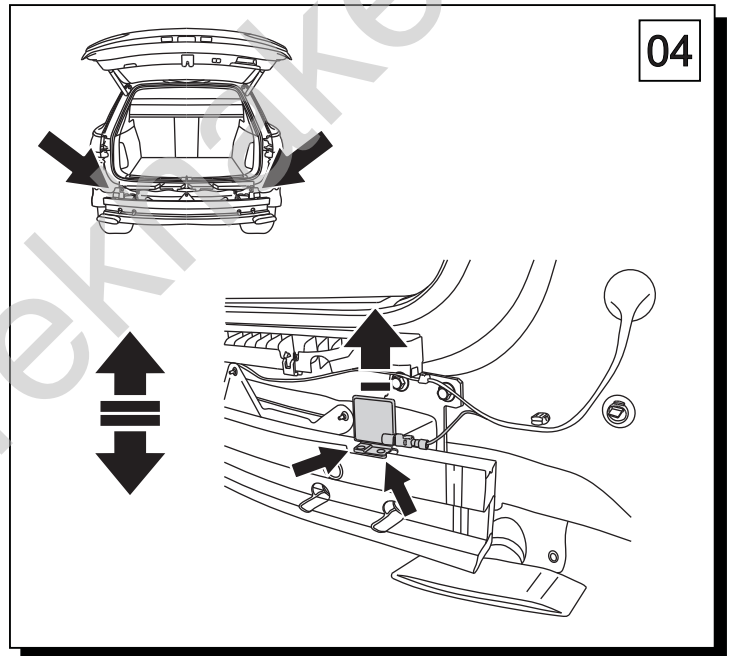
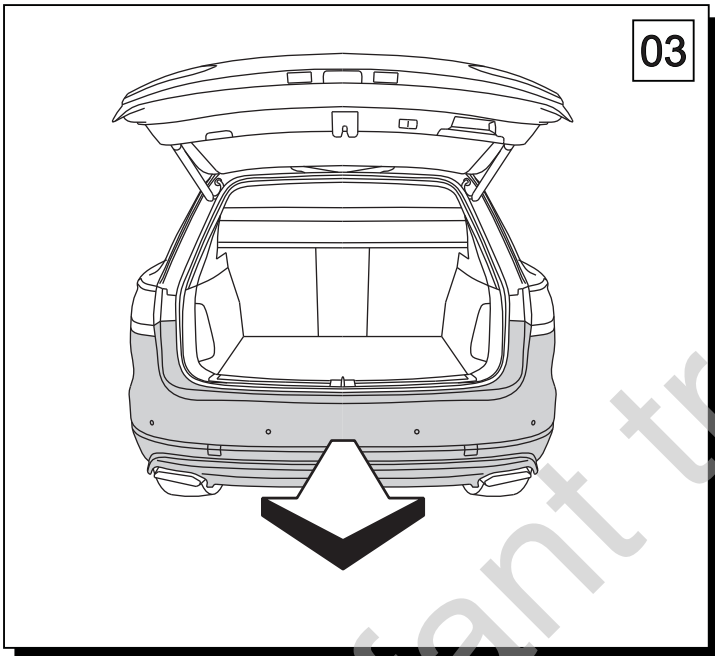
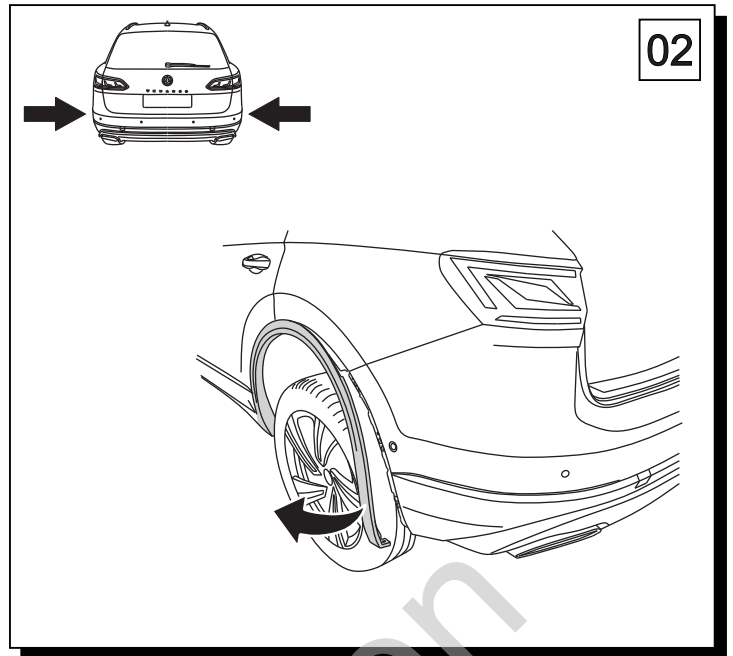
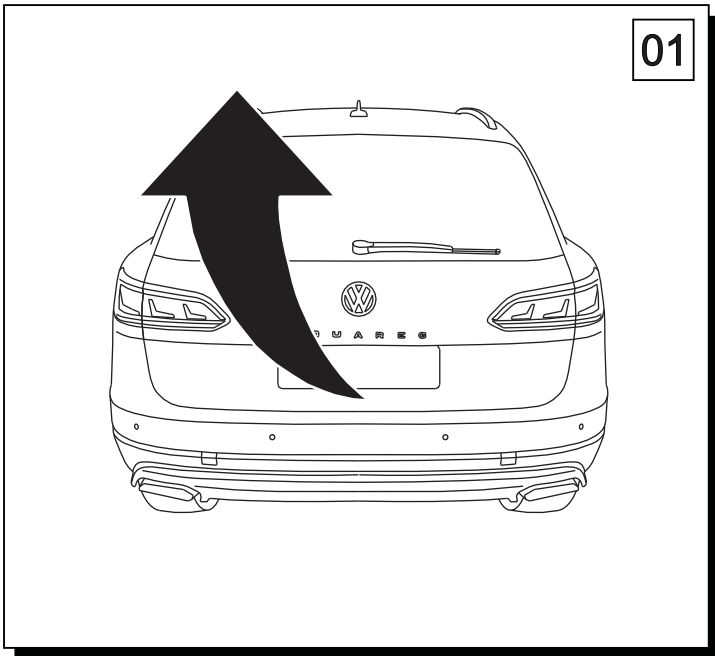
0 km →

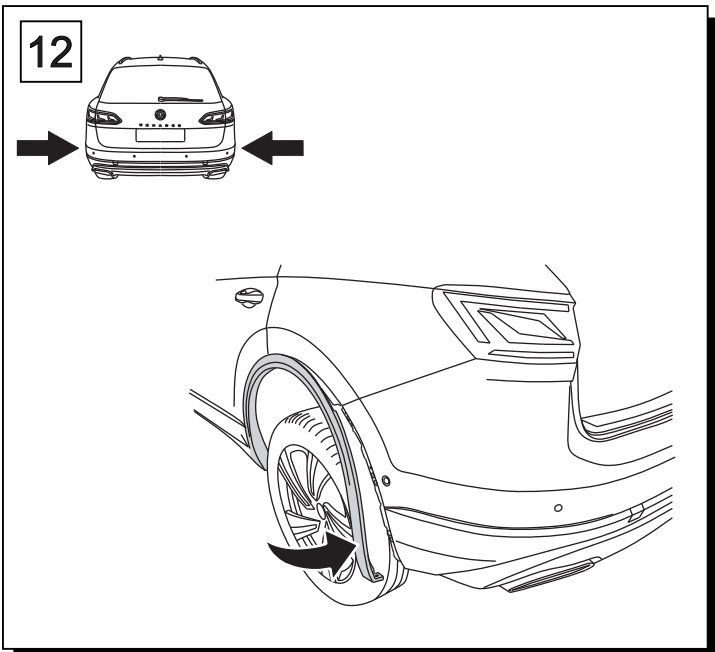
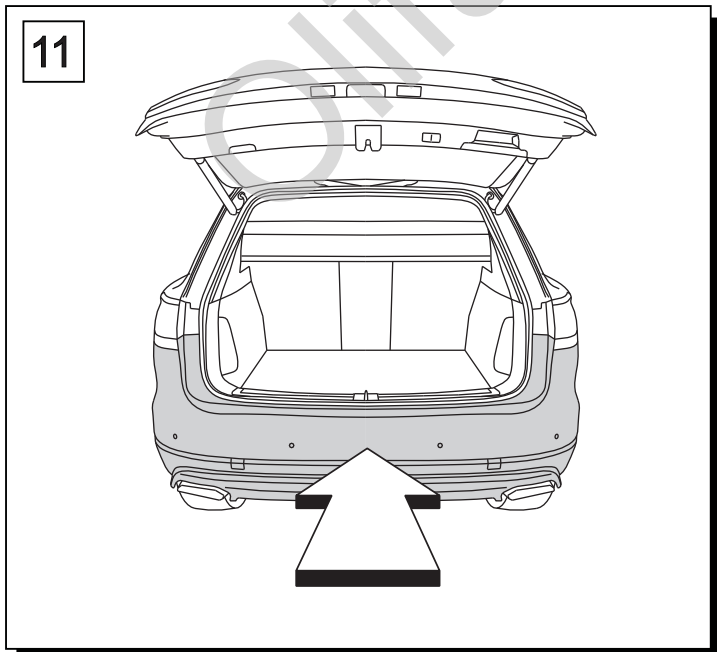
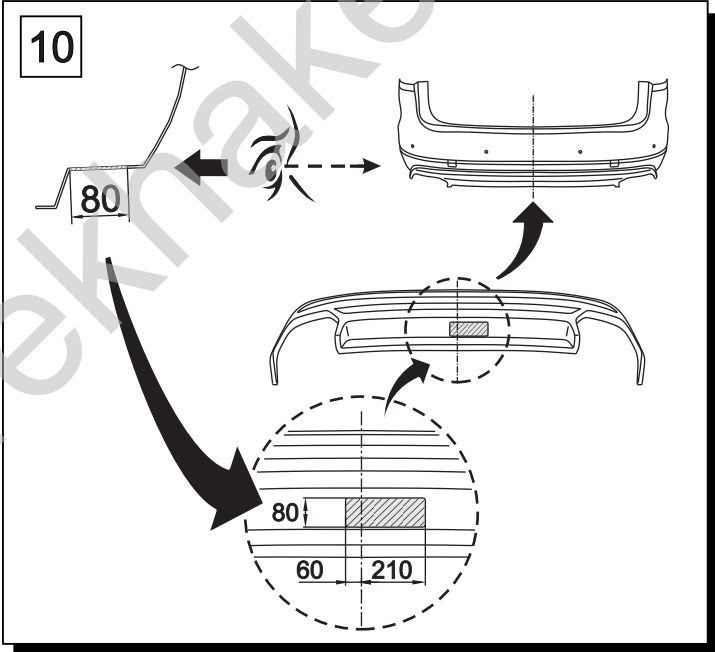
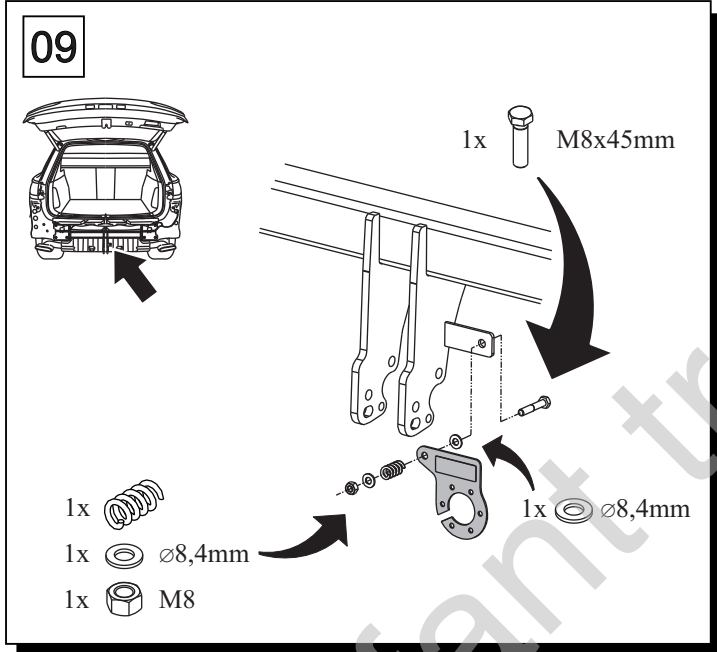
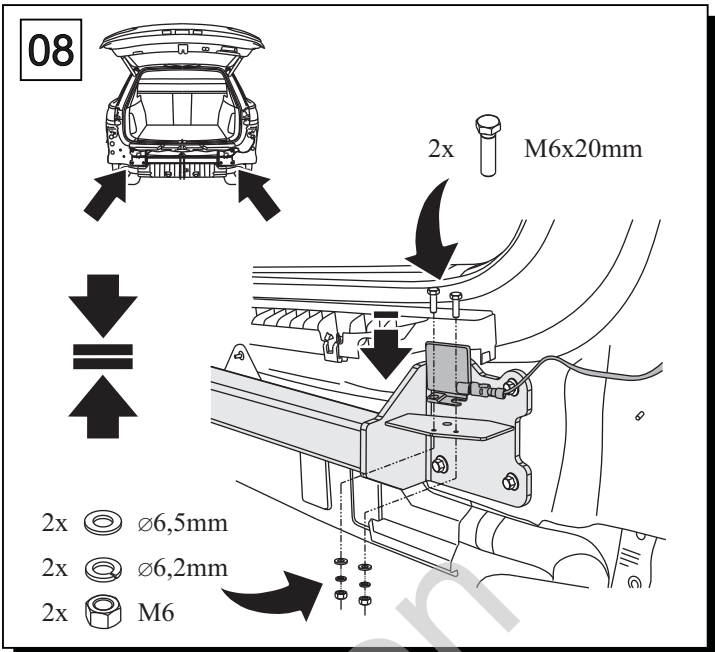
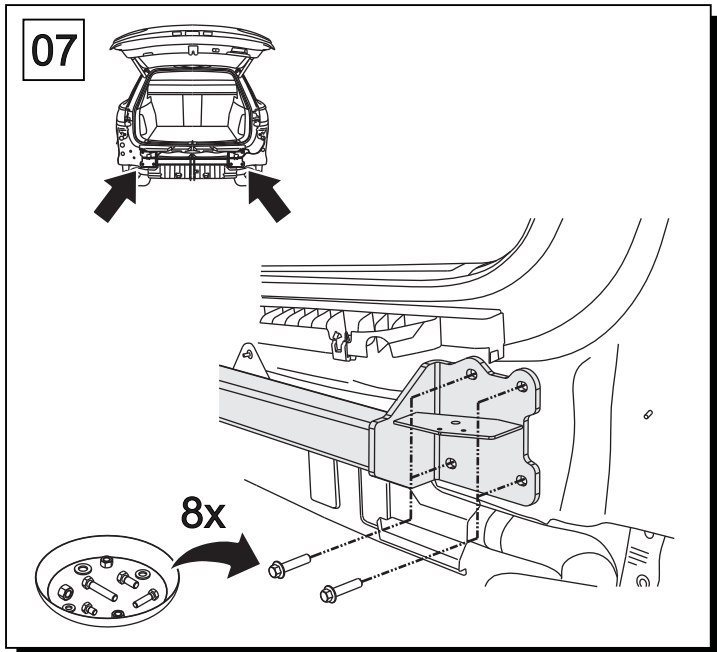


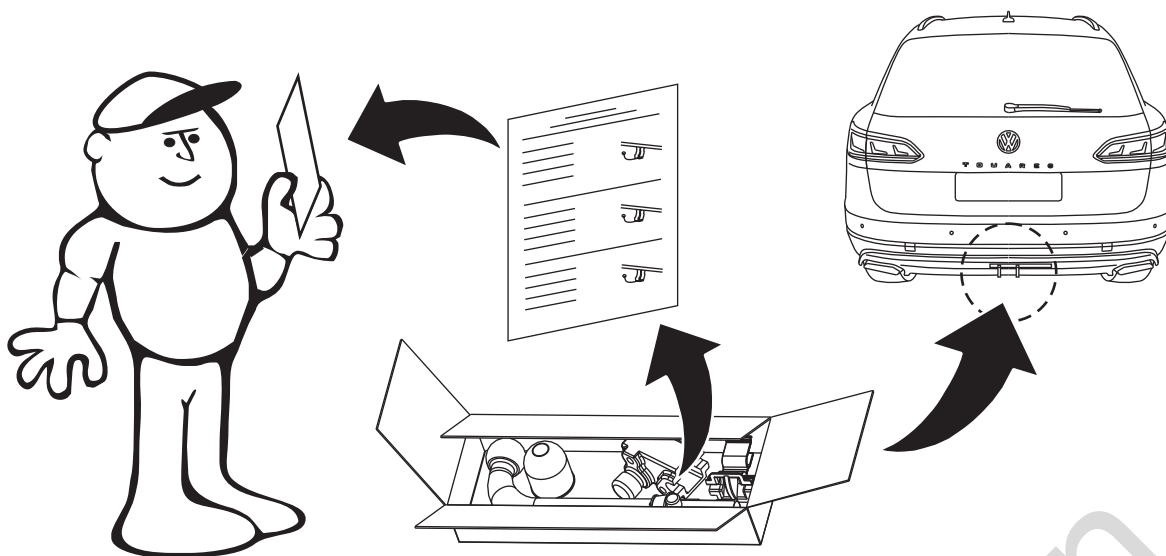
1000 km



<b>1</b> 	<b>x1</b>  Art.nr-KL1K74A		<b>6</b> M 8x45	<b>x1</b>
			<b>7</b> M 6x20	<b>x4</b>
			<b>8</b> $\varnothing$ 8.4	<b>x2</b>
			<b>9</b> $\varnothing$ 6.5	<b>x4</b>
			<b>10</b> $\varnothing$ 6.2	<b>x4</b>
<b>2</b> 	<b>x1</b>  Art.nr-KL1K74A		<b>11</b> M 8	<b>x1</b>
			<b>12</b> M 6	<b>x4</b>
<b>3</b> 	<b>x1</b>  Art.nr-BL13K74A			
<b>4</b> 	<b>x1</b>			
<b>5</b> 	<b>x1</b>			







Olifant trekhaken