

AUTO-HAK Sp. z o.o.

ul. Słoneczna 16K 76-200 SŁUPSK
POLAND

tel/fax +48 59 8 414 414; +48 59 8 414 413

e-mail: office@autohak.com.pl

www.autohak.com.pl



AUTO-HAK

VOLKSWAGEN POLO


 11.2017 →


SEAT IBIZA 5D (KJ)

 06.2017 →

 E20-55R-01 5416

D 7,0 kN

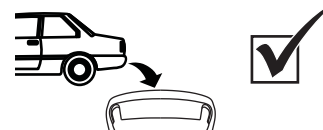
 **R=1200 kg**

 **S=75 kg**

14,8 kg 

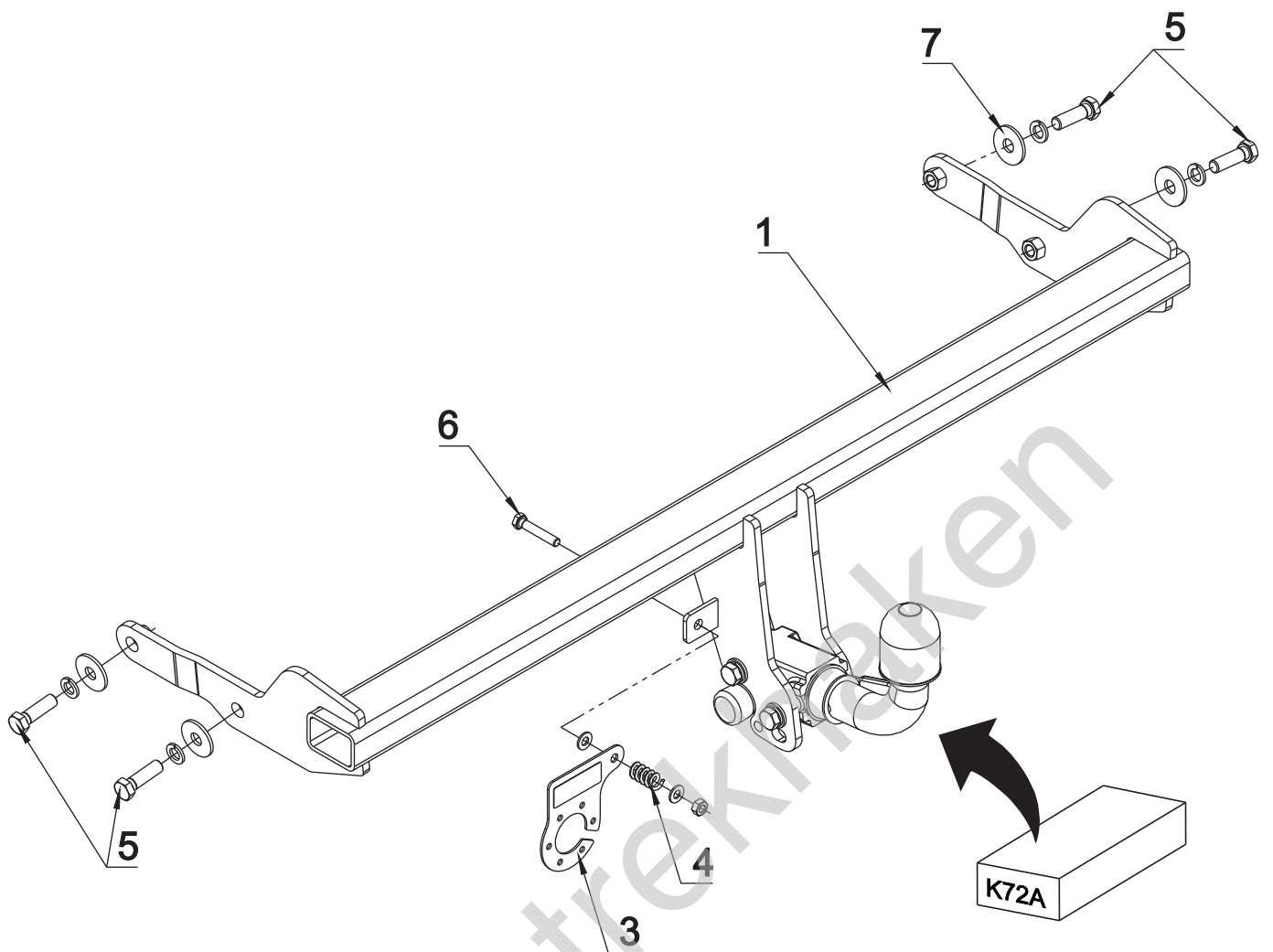
Cat. no:

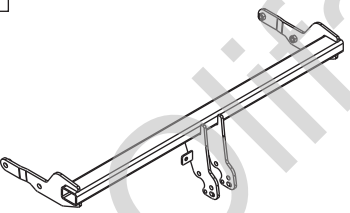


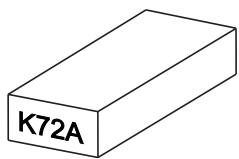


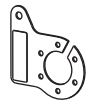



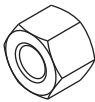

K72A



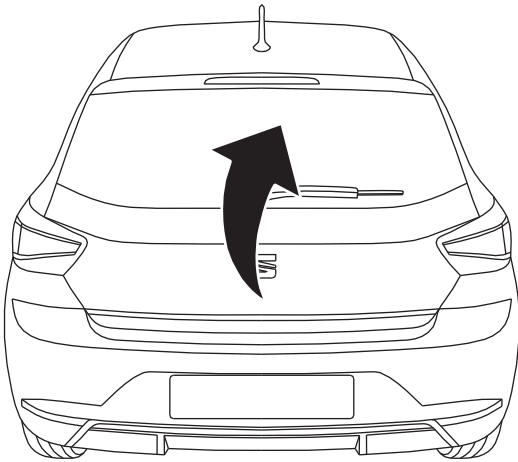
śruba	Nm	M6	M8	M10	M12	M14	M16
klasa 8.8		9,9	24	48	83	132	200
klasa 10.9		14	34	67	117	185	285

 0 km →  1000 km

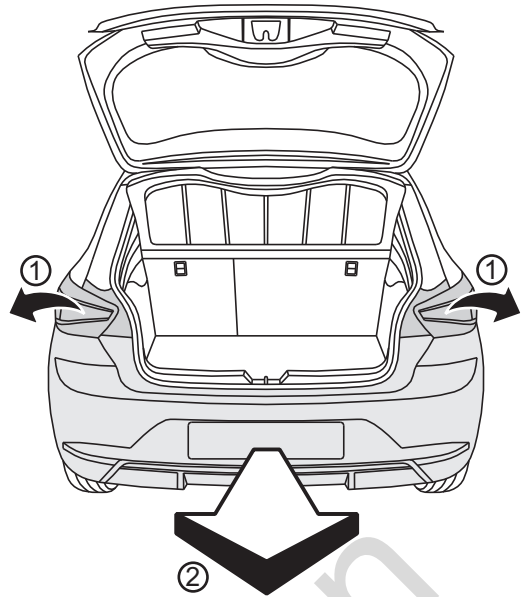


1		x1		5	M12x40	x4
				6	M8x45	x1
2		x1		7	\varnothing 37x \varnothing 13x3 13 DIN 9021	4
				8	\varnothing 13	x2
3		x1		9	\varnothing 8.5	x2
				10	\varnothing 12.2	x4
4		x1		11	M12	x2
				12	M8	x1
Art.nr-KL1K72A						
Art.nr-BL1K72A						

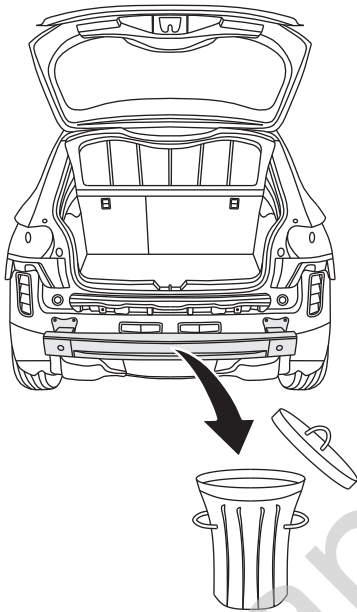
01



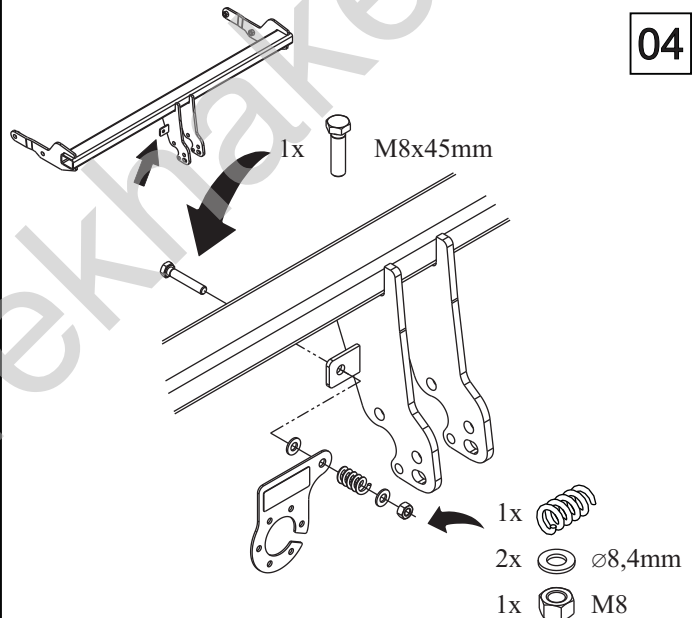
02



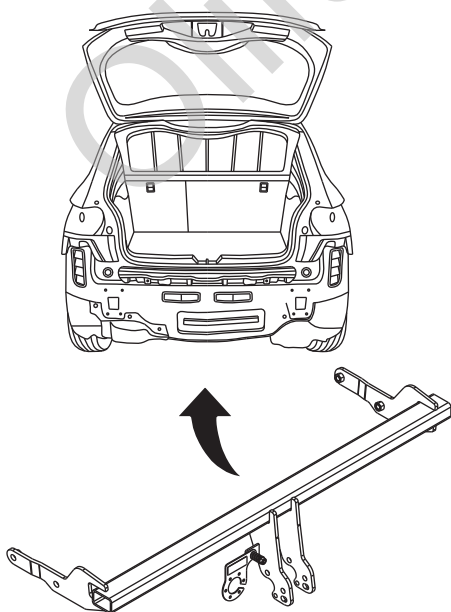
03



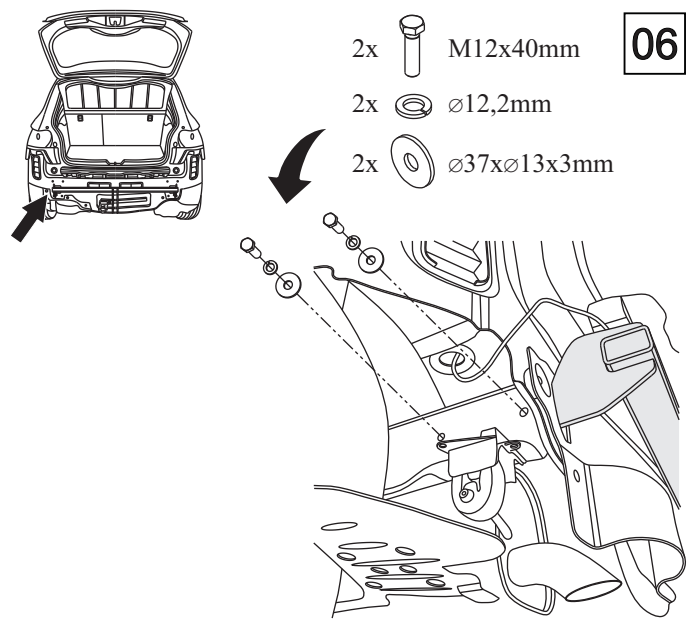
04

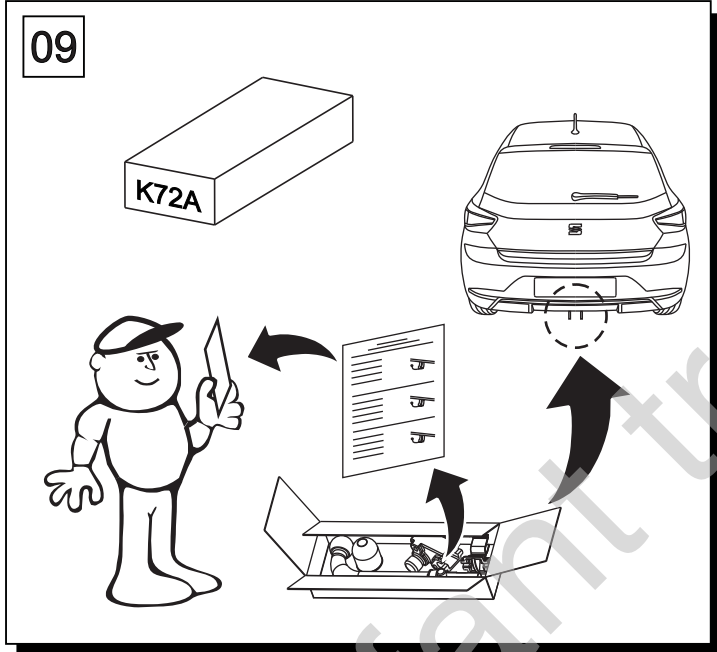
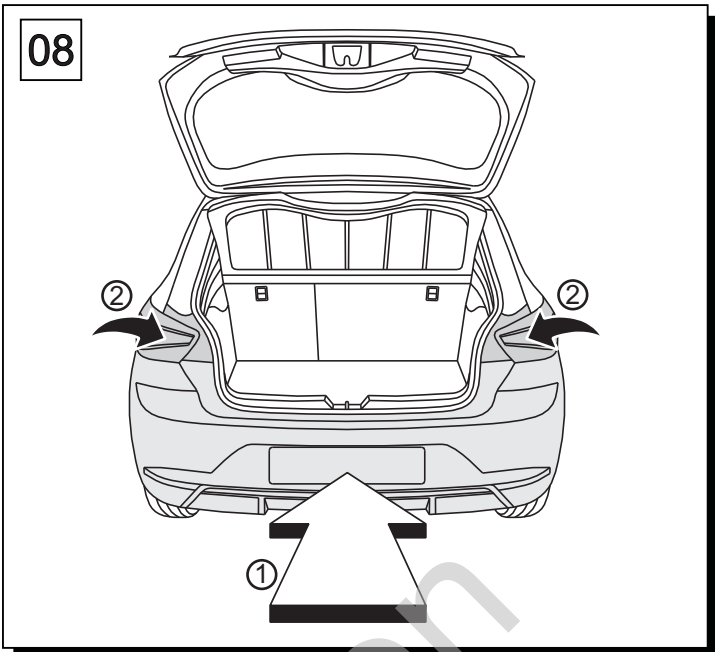
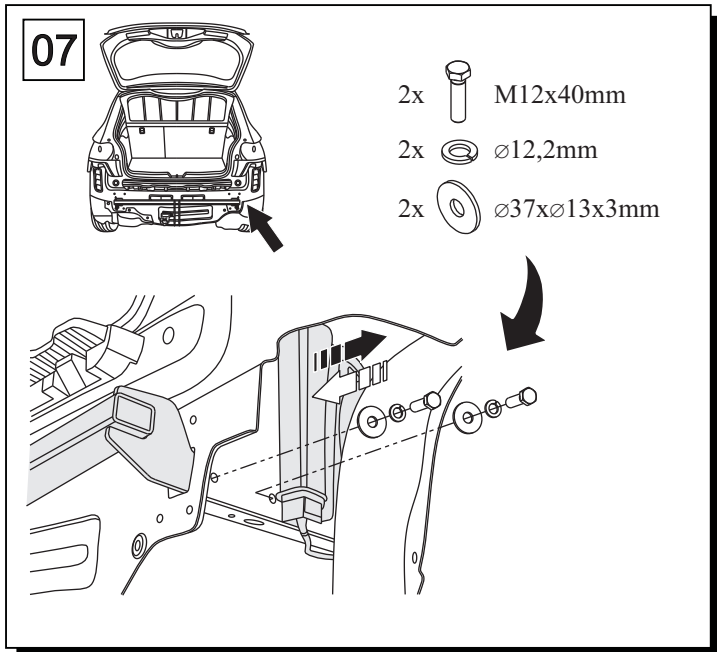


05



06





Olitarru trekhaken