

AUTO-HAK Sp. z o.o.

ul. Słoneczna 16K 76-200 SŁUPSK
POLAND

tel/fax +48 59 8 414 414; +48 59 8 414 413

e-mail: office@autohak.com.pl

www.autohak.com.pl




AUTO-HAK

VOLKSWAGEN T-ROC Crossover


Cat. no:


K71A

 2017 →

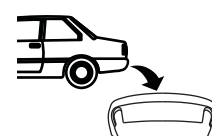
 **E20** E20-55R-01 5384


D 11,89 kN

 **R=1900 kg**

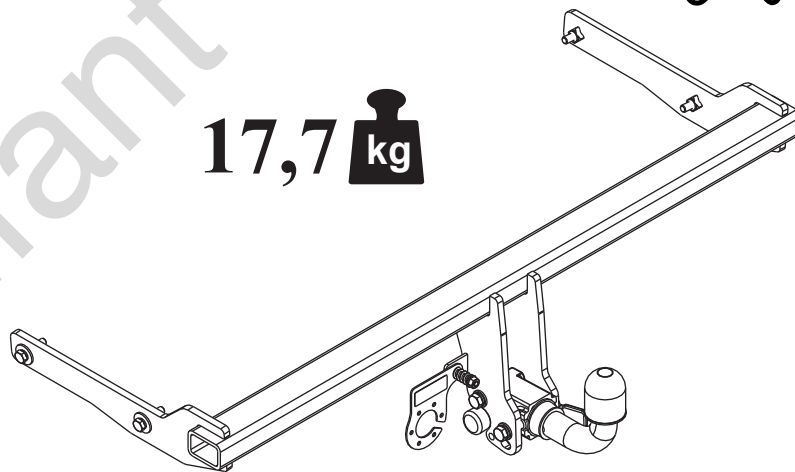
 **S=90 kg**

 **2h**




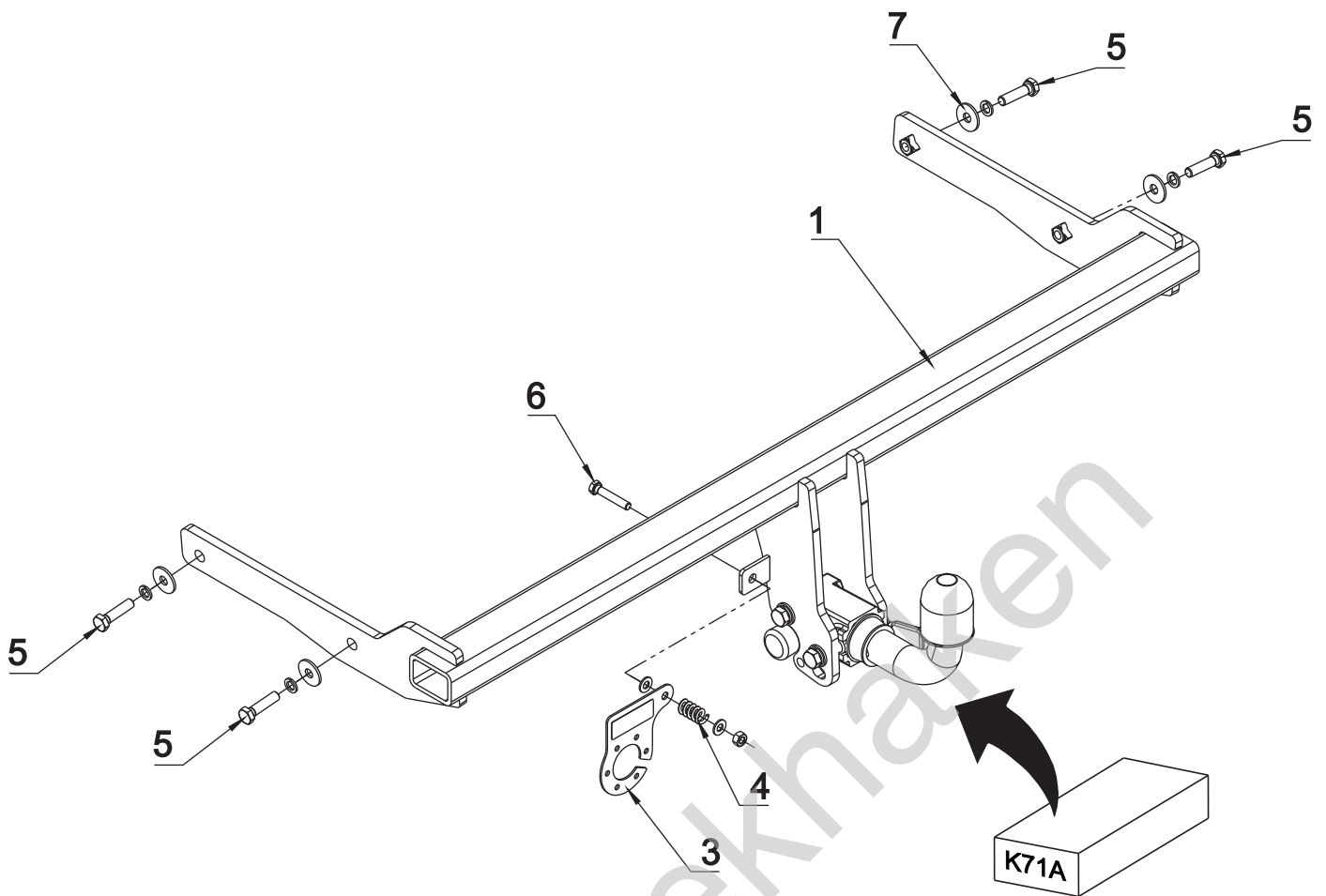
 /

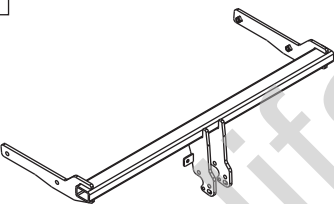




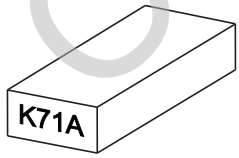


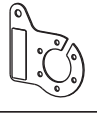
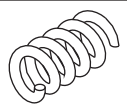
17,7 kg 



śruba Nm	M6	M8	M10	M12	M14	M16
klasa 8.8	9,9	24	48	83	132	200
klasa 10.9	14	34	67	117	185	285

 0 km →  1000 km



1 	x1		5 M10x40	x4
			6 M8x45	x1
			7 \varnothing 30x \varnothing 10.5x2.5 10 DIN 9021	4
			8 \varnothing 8.5	x2
2 	x1		9 \varnothing 10.2	x4
			10 M8	x1
3 	x1	Art.nr-KL1K71A		
4 	x1	Art.nr-BL1K71A		

