

# AUTO-HAK Sp. z o.o.

ul. Słoneczna 16K 76-200 SŁUPSK  
POLAND

tel/fax +48 59 8 414 414; +48 59 8 414 413

e-mail: [office@autohak.com.pl](mailto:office@autohak.com.pl)

[www.autohak.com.pl](http://www.autohak.com.pl)



# AUTO-HAK

## VOLKSWAGEN

### ARTEON

(+4Motion) (+R-Line) (+AdBlue)

Nr kat.

**K70A**



2017 →



E20-55R-01 5243



2h



11,5 kN

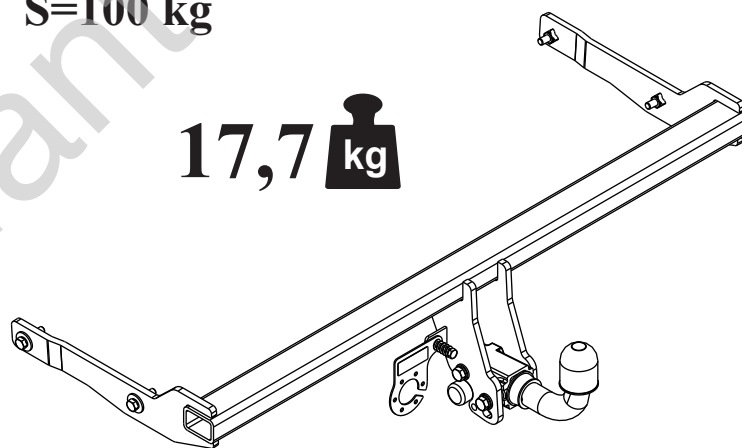


R=2200 kg



S=100 kg

17,7 kg



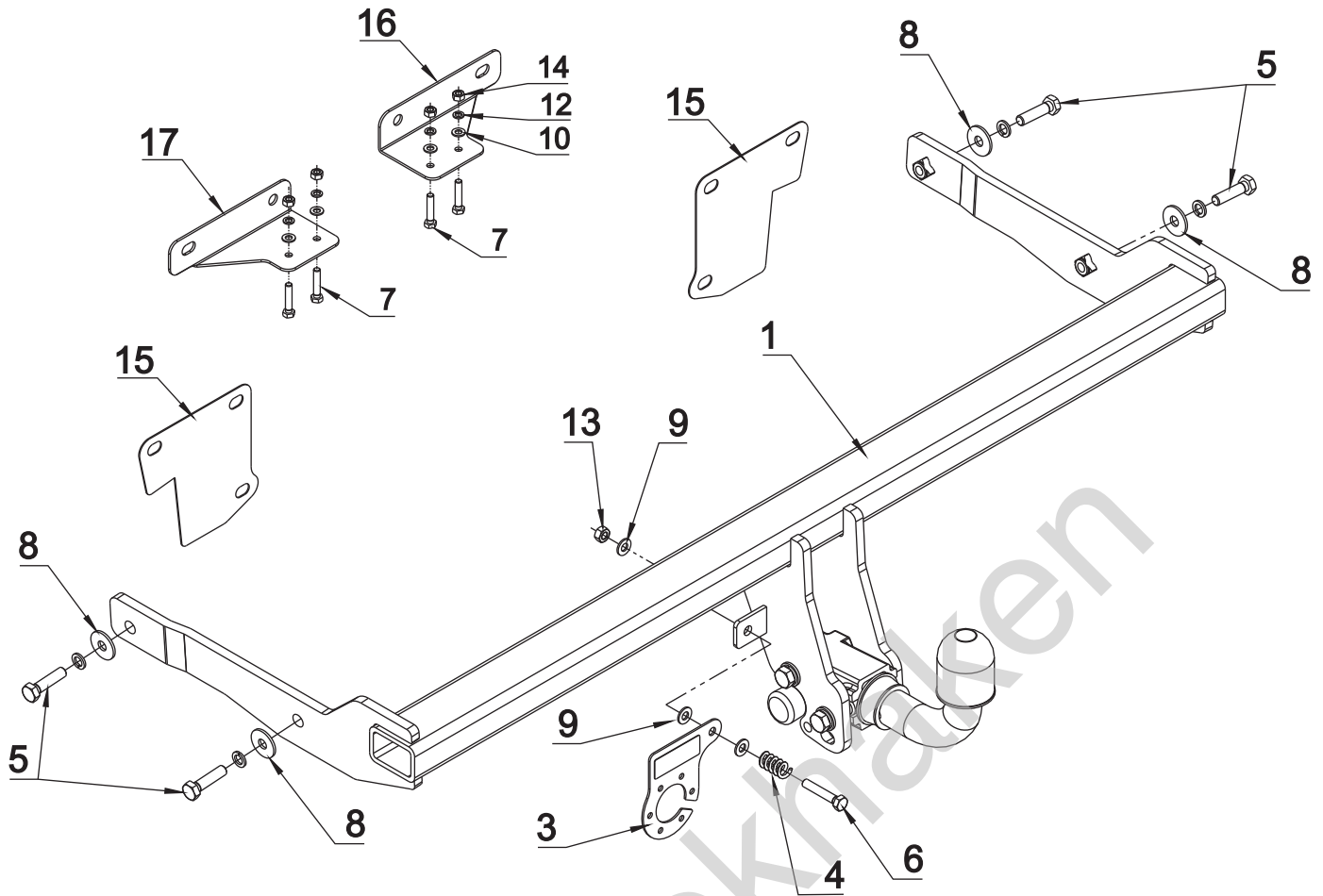
| śruba      | Nm | M6  | M8 | M10 | M12 | M14 | M16 |
|------------|----|-----|----|-----|-----|-----|-----|
| klasa 8.8  |    | 9,9 | 24 | 48  | 83  | 132 | 200 |
| klasa 10.9 |    | 14  | 34 | 67  | 117 | 185 | 285 |

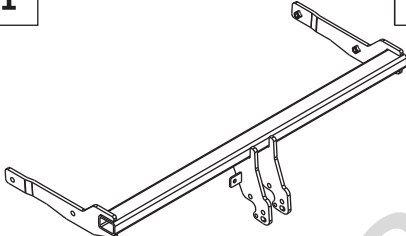

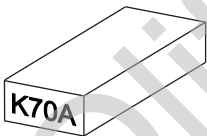

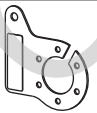

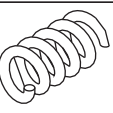

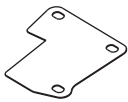
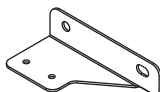
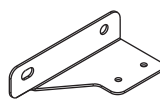


0 km →



1000 km



|   |    |   |  |   |     |
|---|----|---|--|---|-----|
|  | x1 |  | 5  | M 10x40   | x 4 |
|   |    |   | 6  | M 8x50  | x 1 |
|   |    |   | 7  | M 5x25  | x 4 |
|   |    |   | 8  | $\varnothing$ 30x $\varnothing$ 10.5x2.5<br>10 (DIN 9021) | x 4 |
|  | x1 |  | 9  | $\varnothing$ 8.4   | x 3 |
|   |    |   | 10   | $\varnothing$ 5.3   | x 4 |
|  | x1 |  | 11   | $\varnothing$ 10.2  | x 4 |
|   |    |   | 12   | $\varnothing$ 5.1   | x 4 |
|  | x1 |  | 13   | M 8   | x 1 |
|   |    |   | 14   | M 5   | x 4 |
| Art.nr-KL1K70A<br>Art.nr-BL12K70A   |    | 15  |  |   | x 2 |
|   |    | 16  |  |   | x 1 |
|   |    | 17  |  |   | x 1 |

