

AUTO-HAK Sp. z o.o.

ul. Słoneczna 16K 76-200 SŁUPSK
POLAND

tel/fax +48 59 8 414 414; +48 59 8 414 413

e-mail: office@autohak.com.pl

www.autohak.com.pl



AUTO-HAK

VOLKSWAGEN TIGUAN II (SUV)

 2016 → 2024

+ R-Line

VOLKSWAGEN TIGUAN III (SUV)


 2024 →

SEAT ATECA (SUV)

 2016 →

 E20-55R-01 4780

 12,6 kN

 R=2500 kg

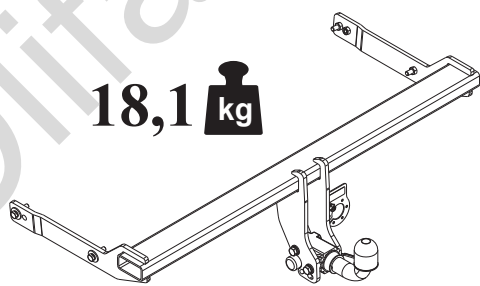
 S=140 kg

Nr kat.


K66A



2h



18,1 kg

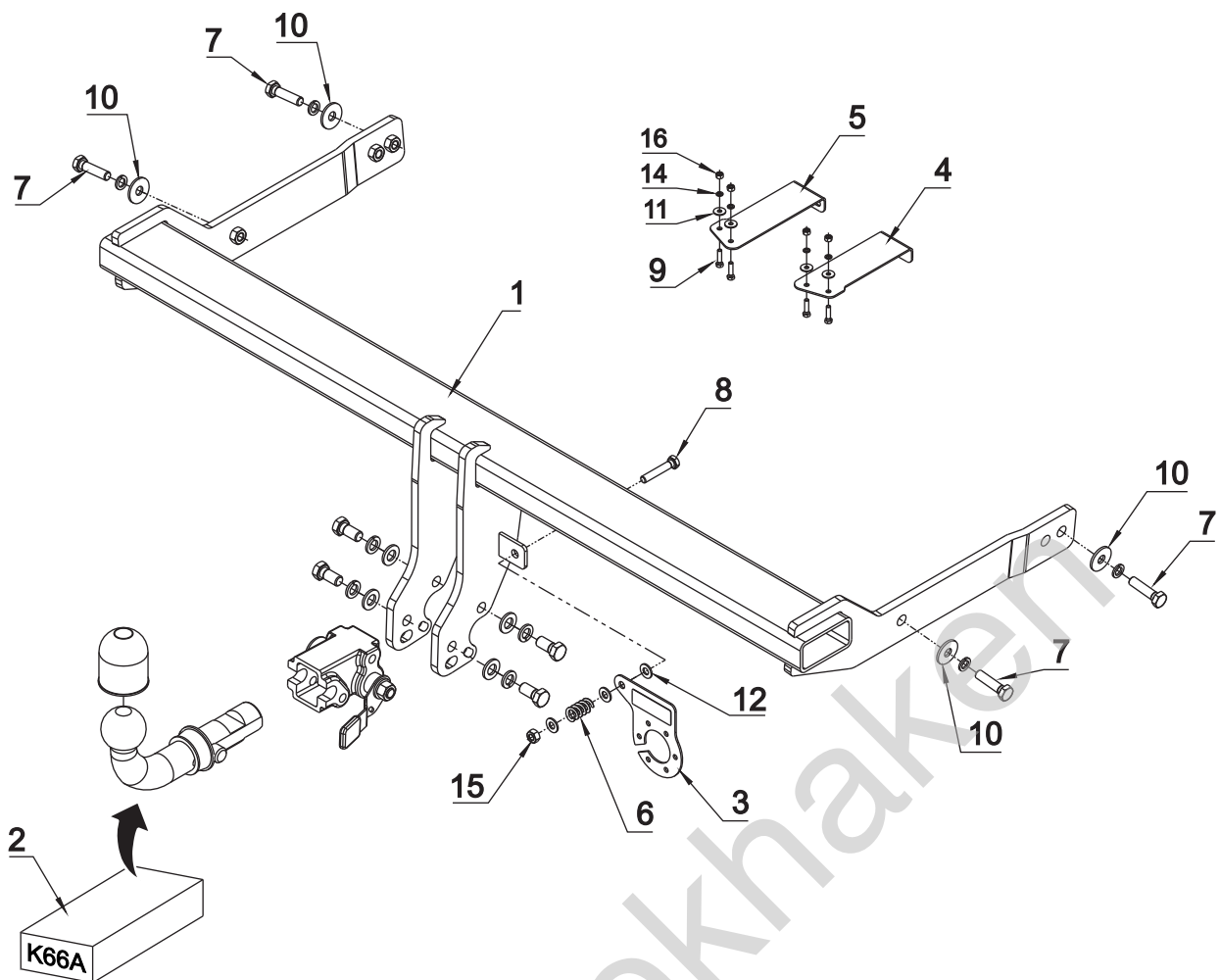


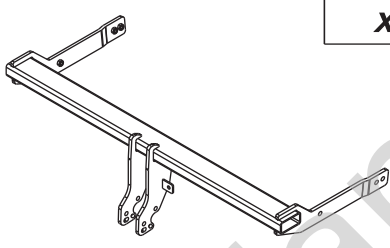

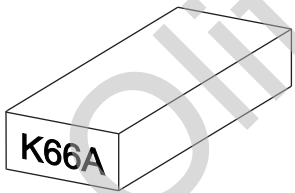

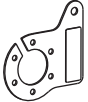

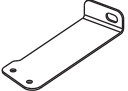
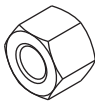
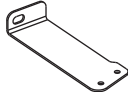

FULL VERSION INSTRUCTION



śruba	Nm	M6	M8	M10	M12	M14	M16
klasa 8.8		9,9	24	48	83	132	200
klasa 10.9		14	34	67	117	185	285

 0 km →  1000 km



1		x 1		7	M 10x40	x 4
				8	M 8x50	x 1
				9	M 5x20	x 4
				10	∅ 30x∅10.5x2.5 10 DIN 9021	4
2		x 1		11	∅ 15x∅5.3x1.2 5 DIN 9021	4
				12	∅ 8.5	x 2
3		x 1		13	∅ 10.2	x 4
				14	∅ 5.1	x 4
4		x 1		15	M 8	x 1
				16	M 5	x 4
5		x 1				
6		x 1				

