

# PPUH AUTO-HAK Sp.J.

Henryk i Zbigniew Nejman  
ul. Słoneczna 16K 76-200 SŁUPSK  
POLAND

tel/fax +48 59 8 414 414; +48 59 8 414 413

e-mail: [office@autohak.com.pl](mailto:office@autohak.com.pl)

[www.autohak.com.pl](http://www.autohak.com.pl)



# AUTO-HAK



**VOLKSWAGEN CC**  
4D, 4 Motion

Cat. no:

**K65A**



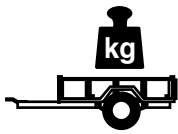
04.2012 →



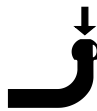
E20-55R-01 4771



11,30 kN



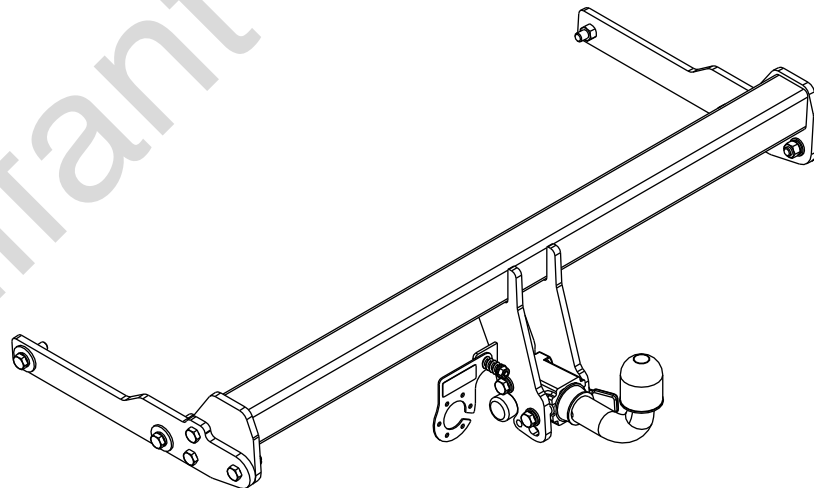
R=2200 kg



S=90 kg



2h



M6 - 8,5 Nm  
M10 - 41 Nm  
M14 - 112 Nm

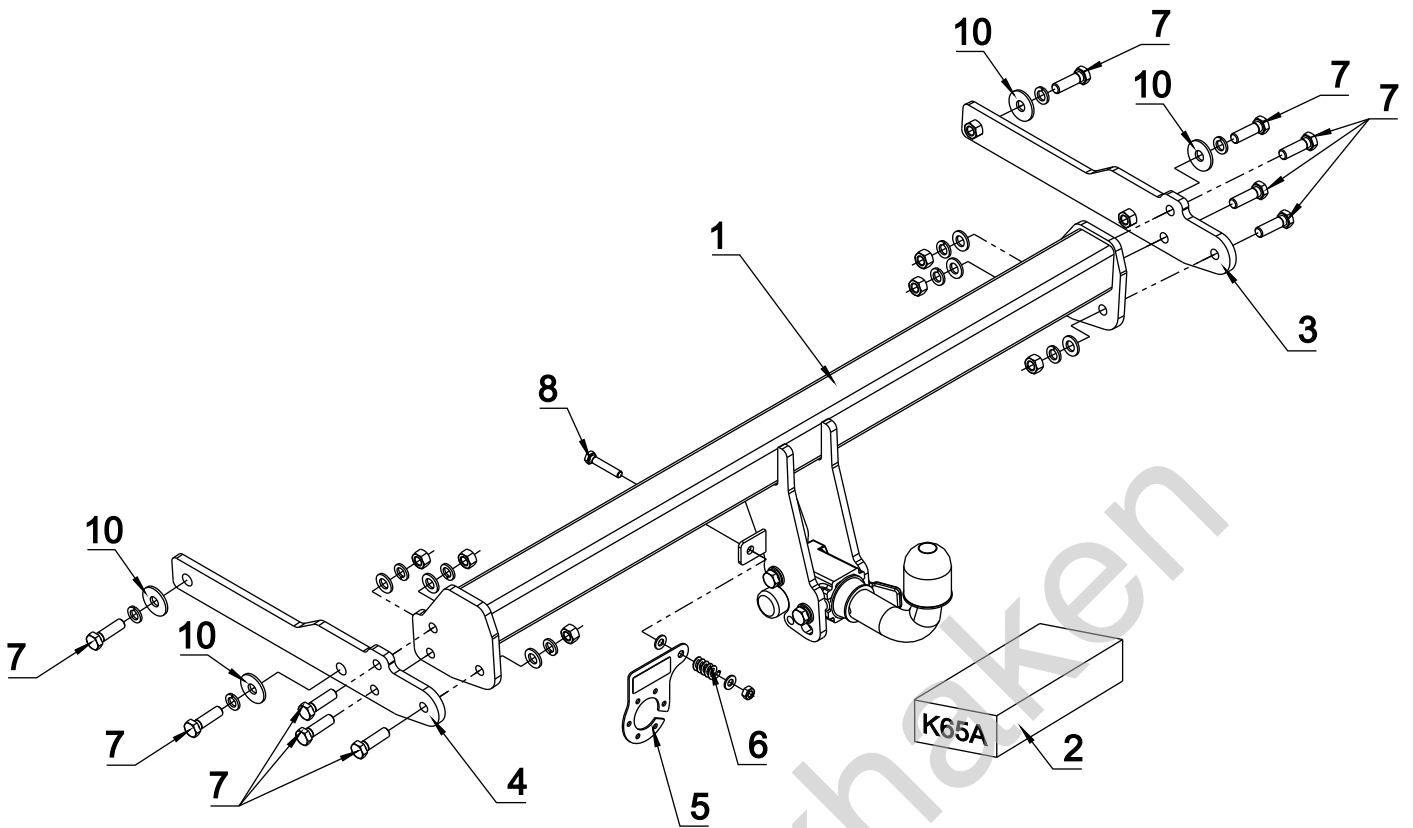
M8 - 20 Nm  
M12 - 70 Nm  
M16 - 170 Nm

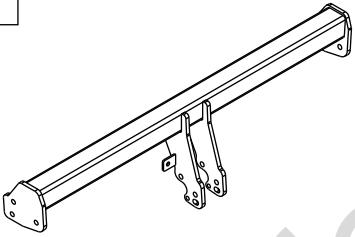

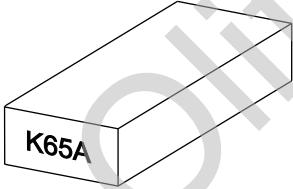

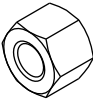


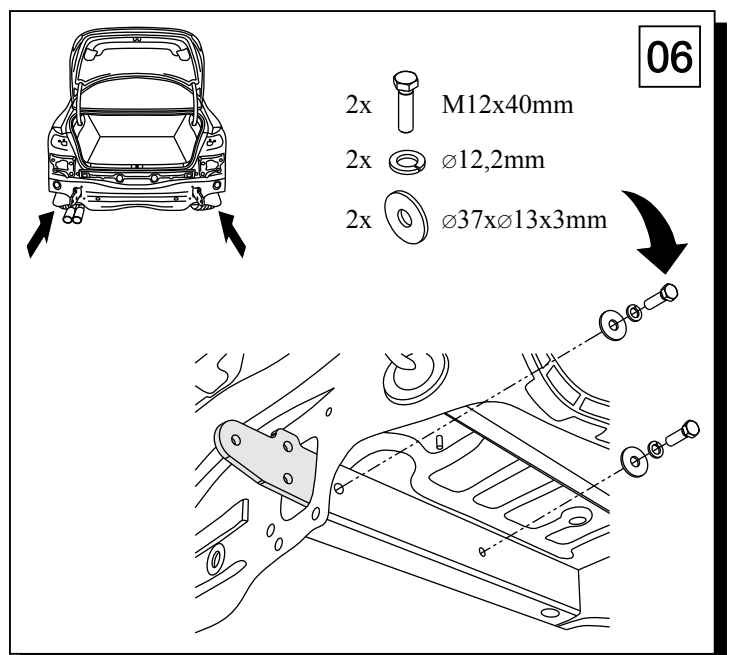
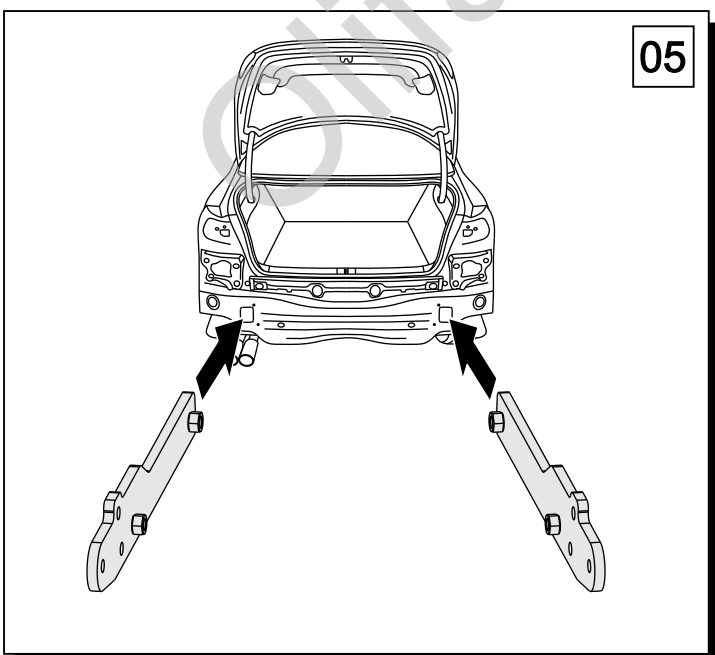
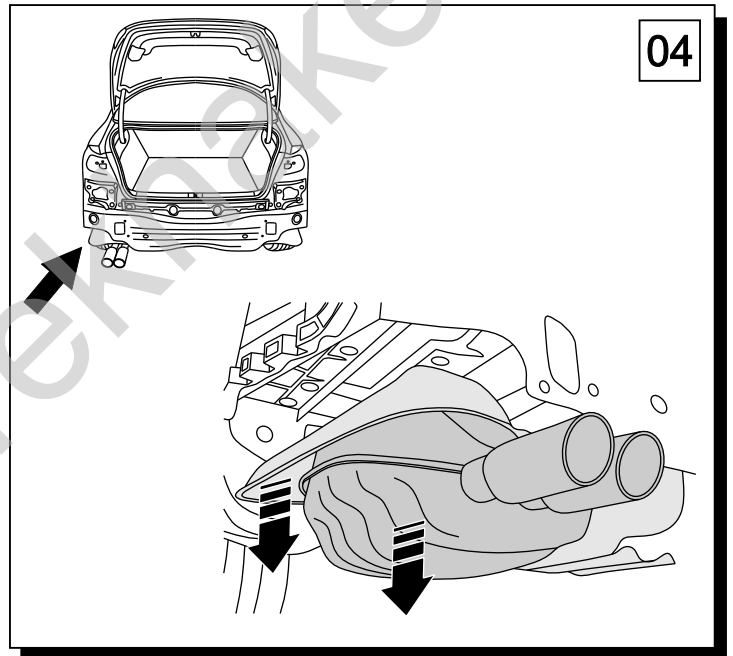
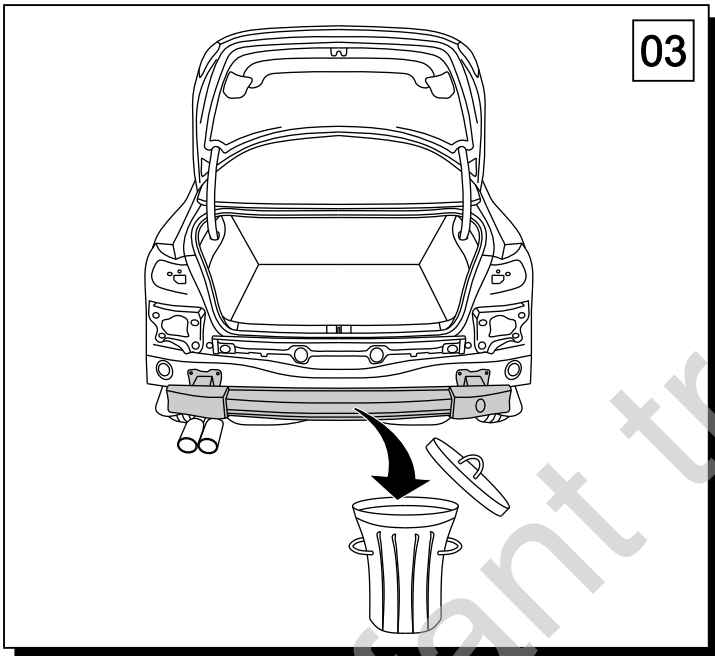
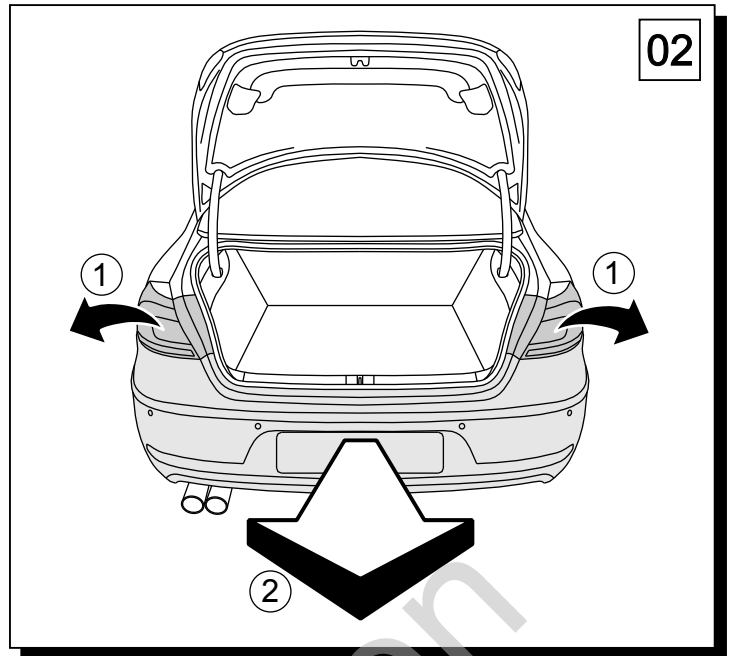
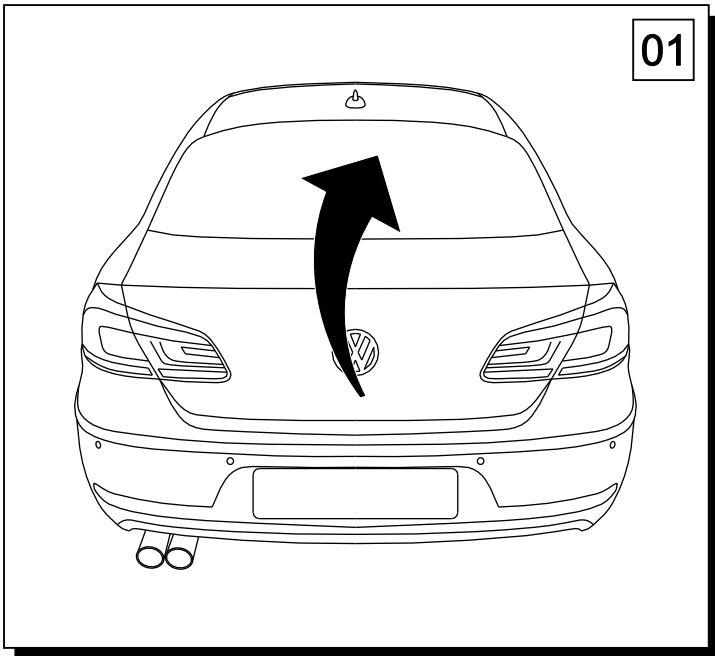
0 km →

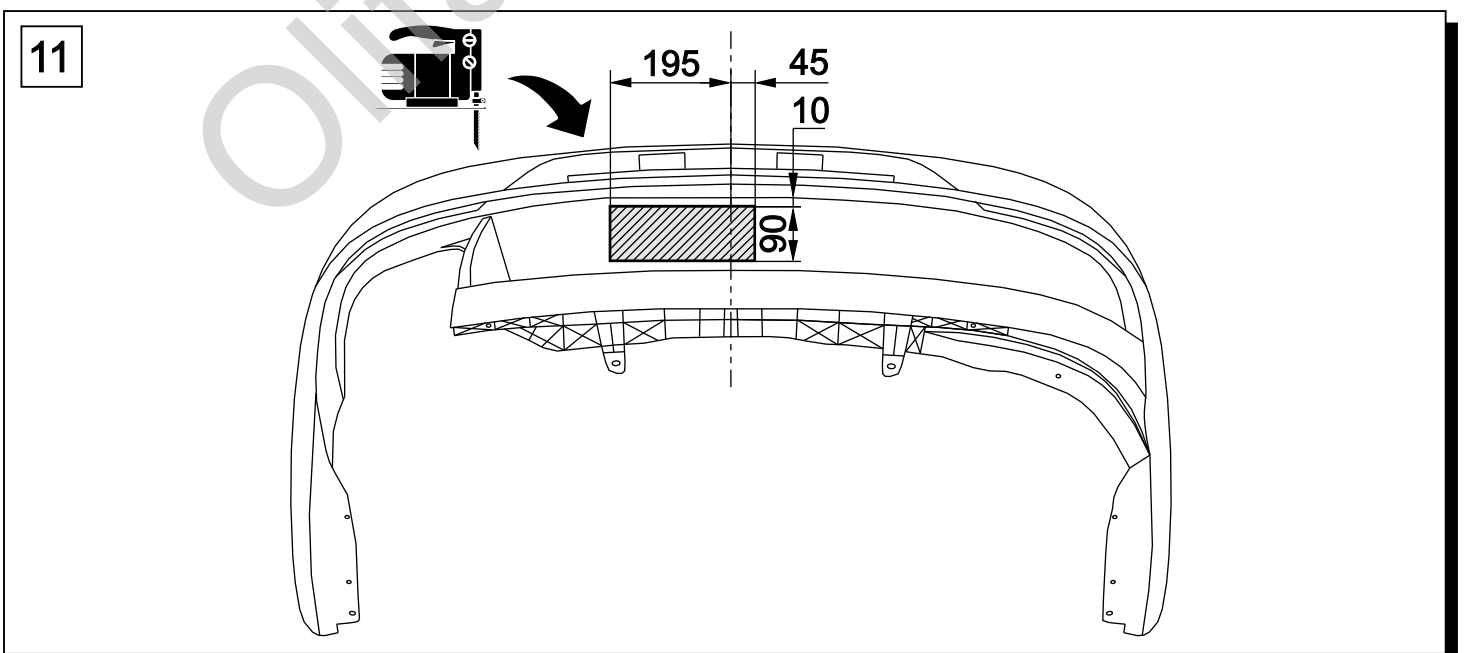
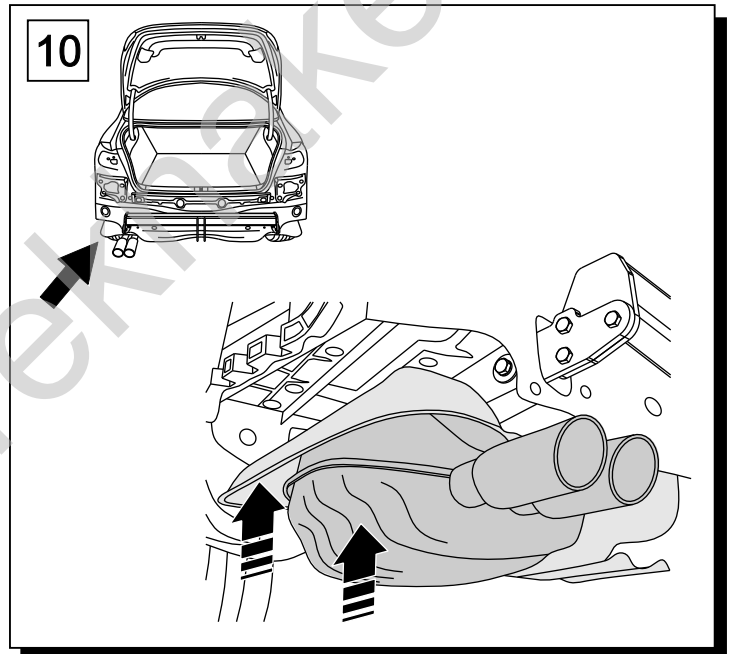
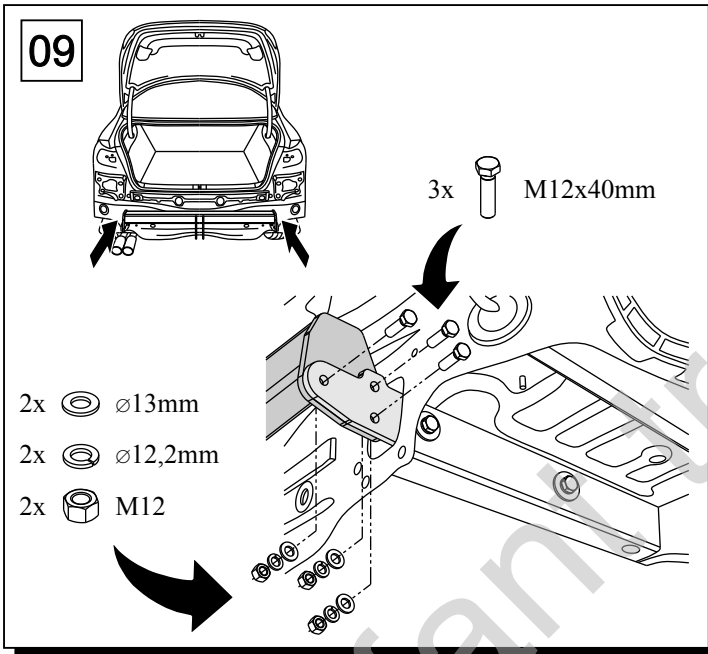
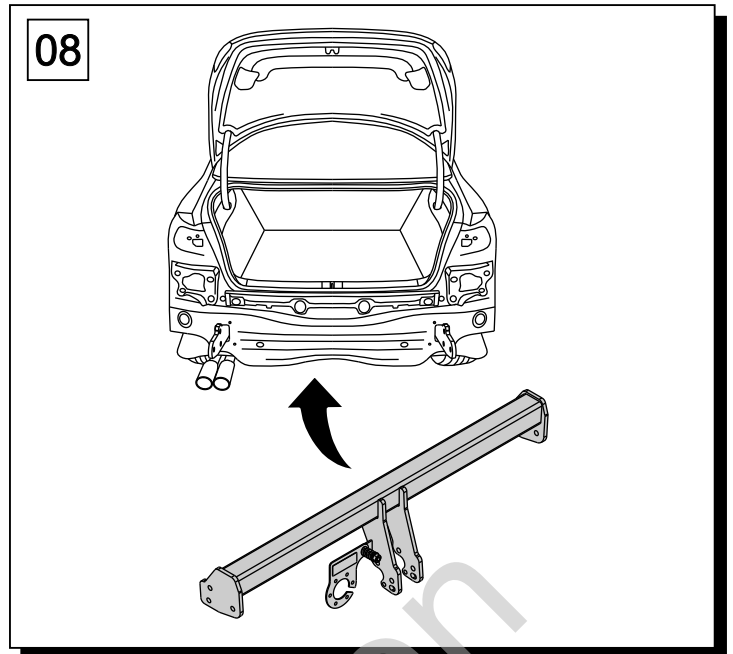
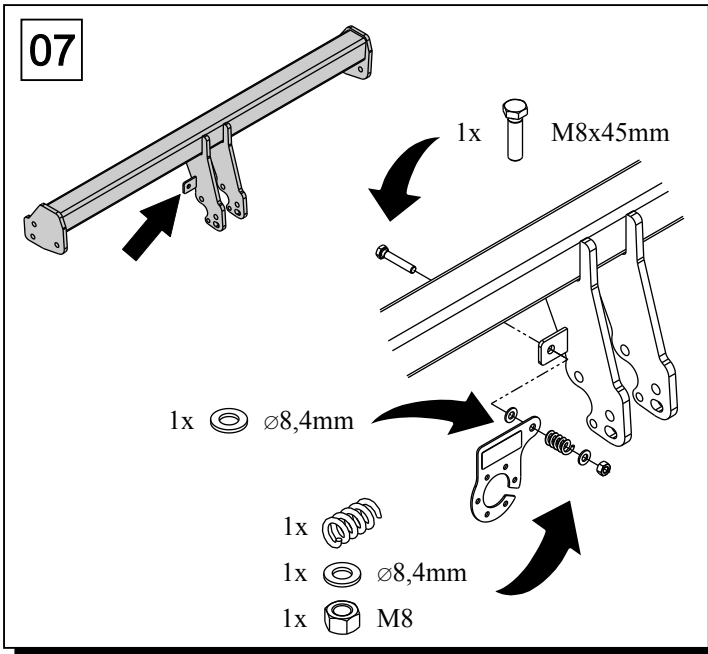


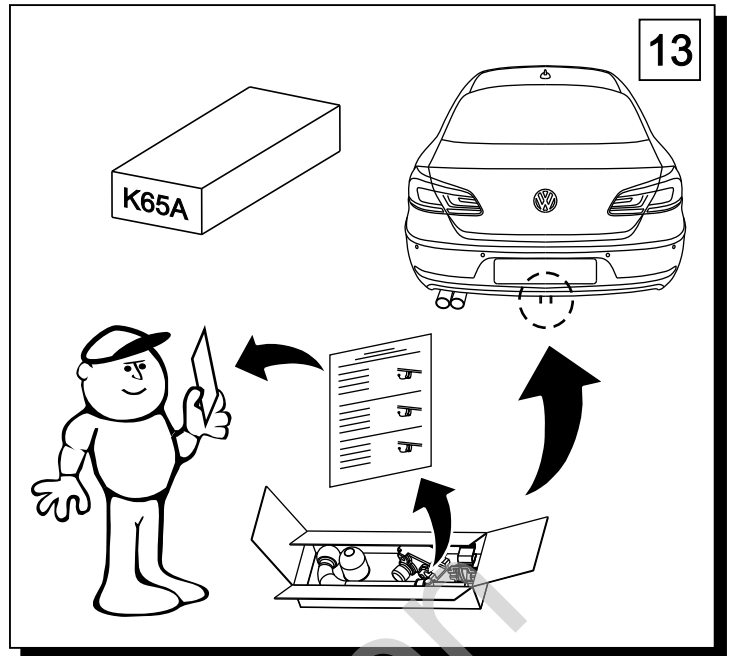
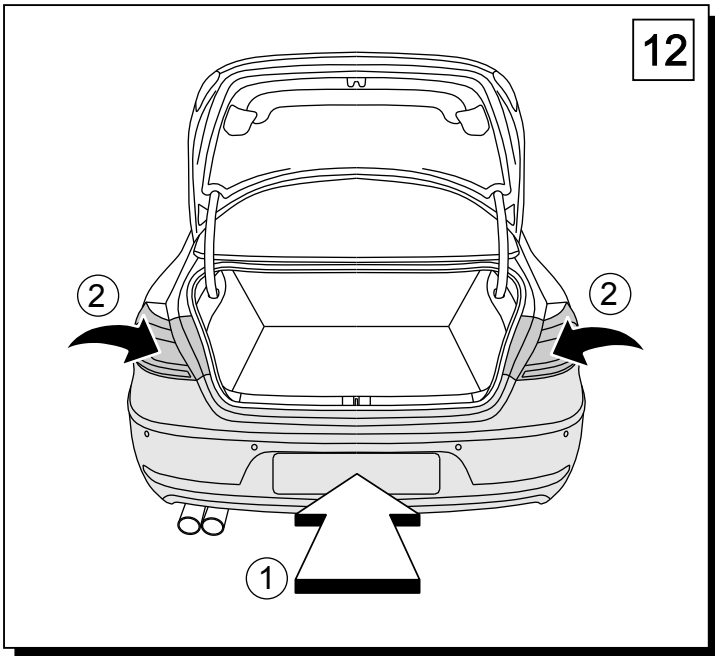
1000 km



	x1		7	M12x40	x10
			8	M8x45	x1
			9	∅ 13	x6
			10	∅ 37x∅13x3 13 DIN 9021	4
	x1		11	∅ 8.5	x2
			12	∅ 12.2	x10
Art.nr-KL1K65A			13	M12	x6
3	x1		14	M8	x1
4	x1				
5	x1				
Art.nr-BL1K65A					
6	x1				







Olifant trekhaker