

PPUH AUTO-HAK Sp.J.

Henryk i Zbigniew Nejman
ul. Słoneczna 16K 76-200 SŁUPSK
POLAND

tel/fax +48 59 8 414 414; +48 59 8 414 413

e-mail: office@autohak.com.pl

www.autohak.com.pl



AUTO-HAK



VOLKSWAGEN TOURAN
5D, VAN

Cat. no:

K63A



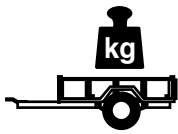
10.2015 →



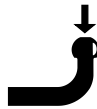
E20-55R-01 4544



9,9 kN



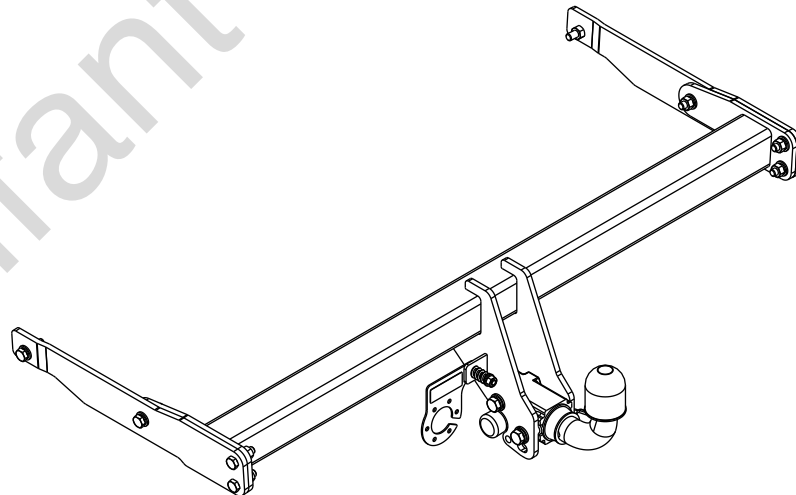
R=1800 kg



S=75 kg



2h



M6 - 11 Nm
M10 - 50 Nm
M14 - 138 Nm

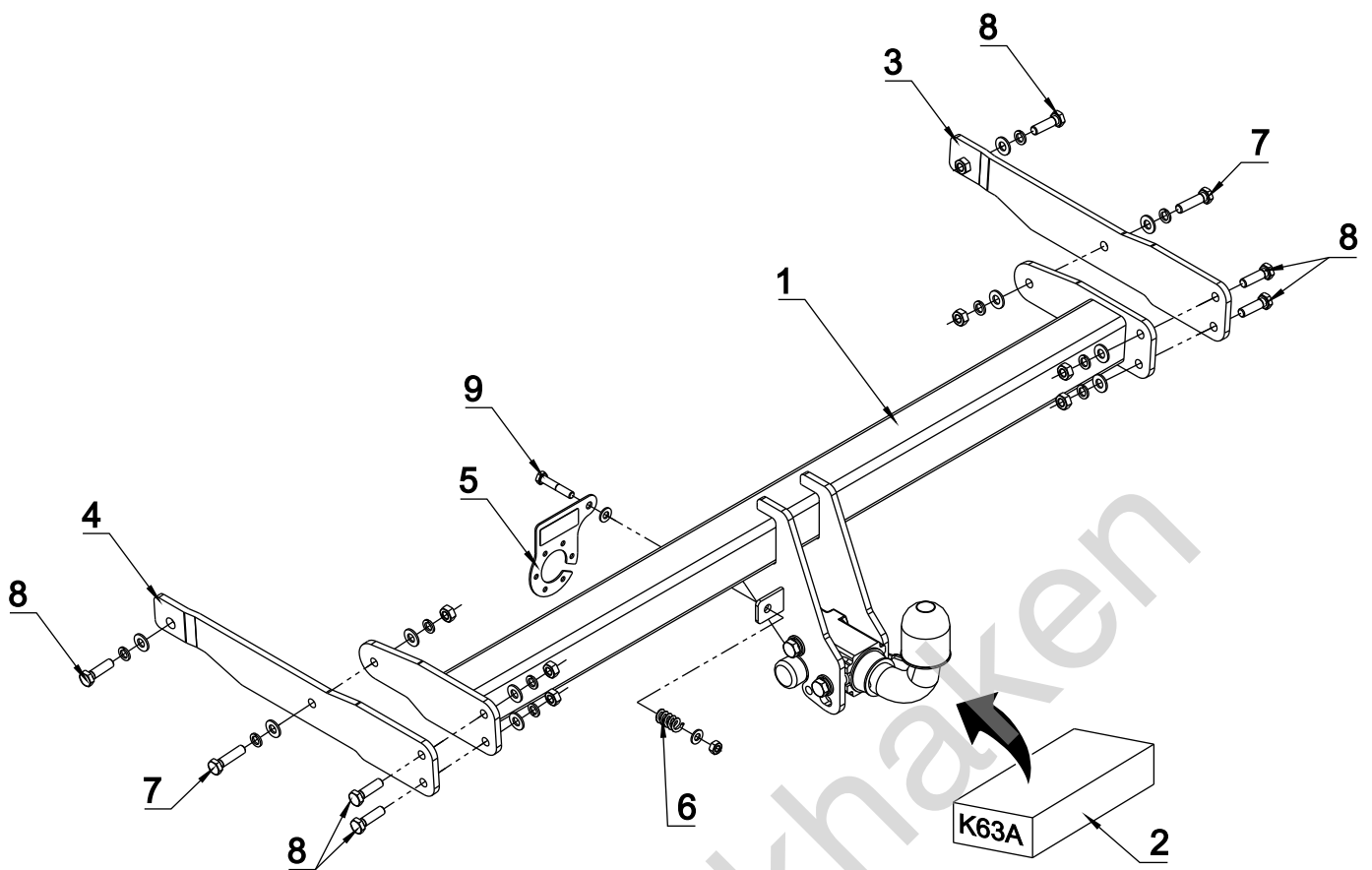
M8 - 25 Nm
M12 - 87 Nm
M16 - 210 Nm

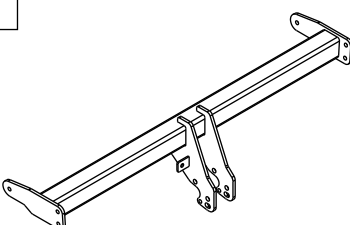
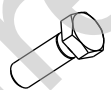
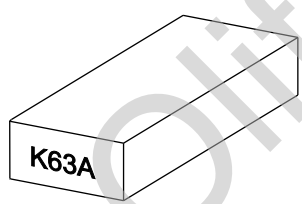
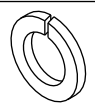
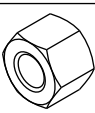
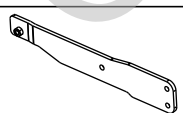
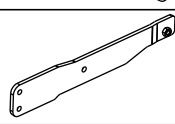
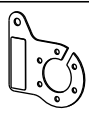
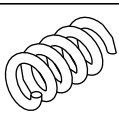


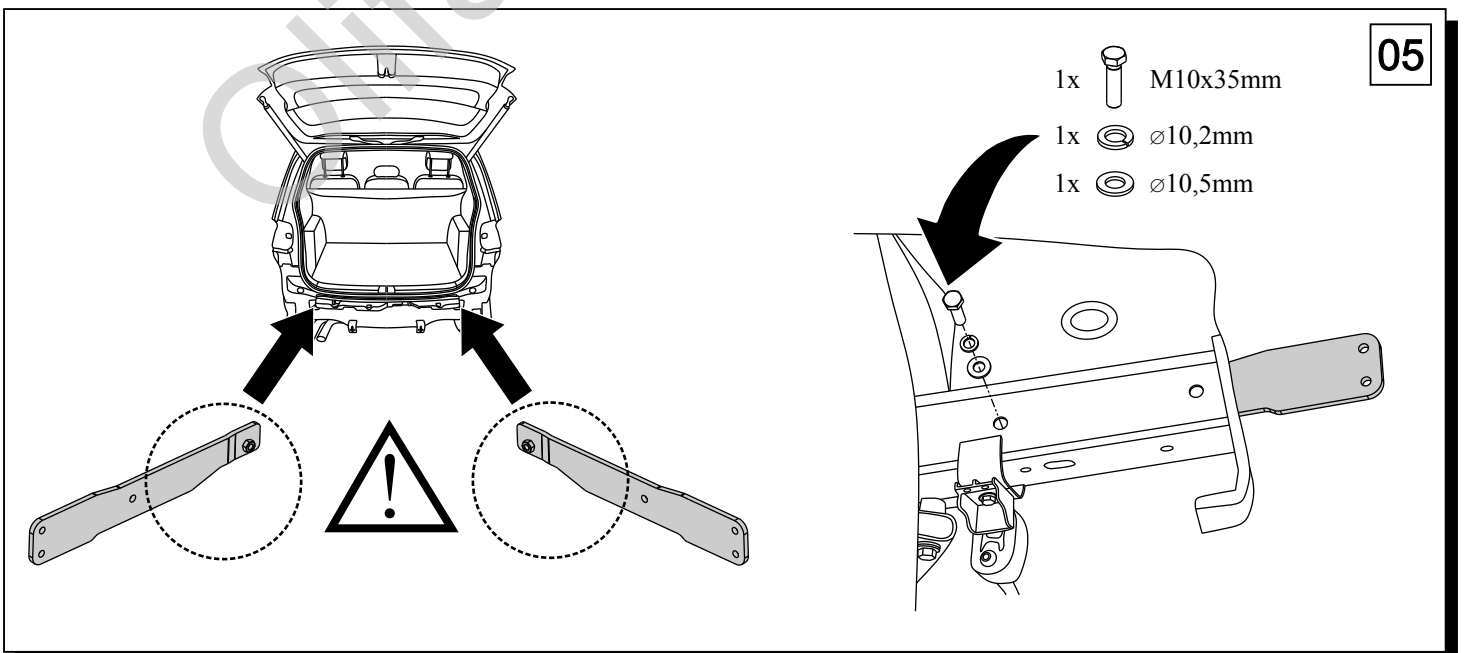
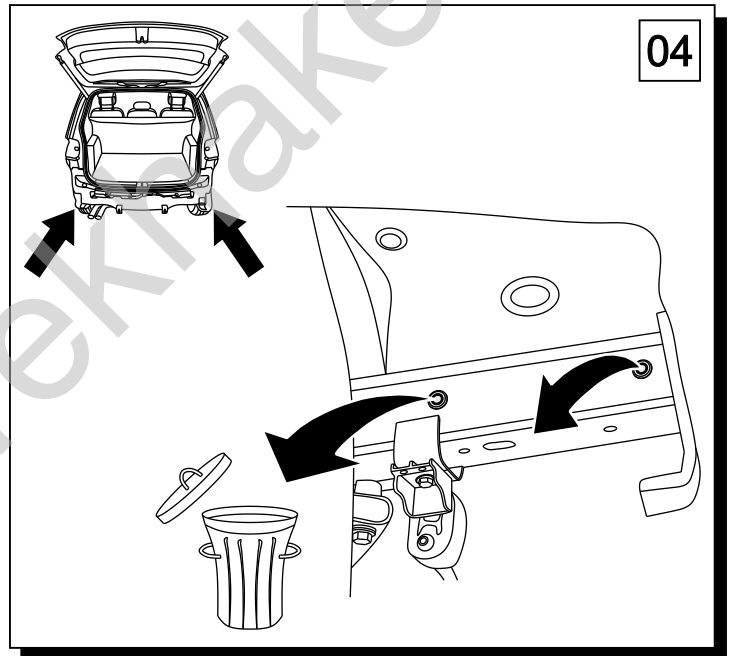
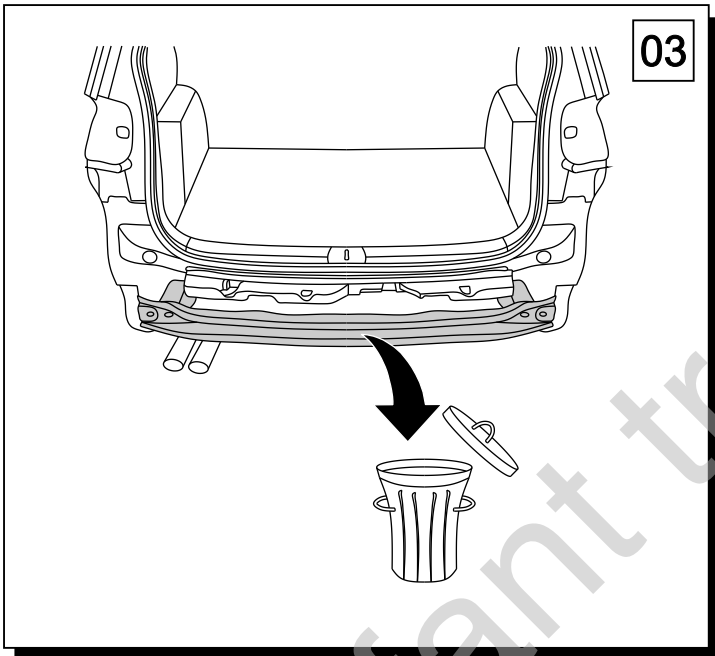
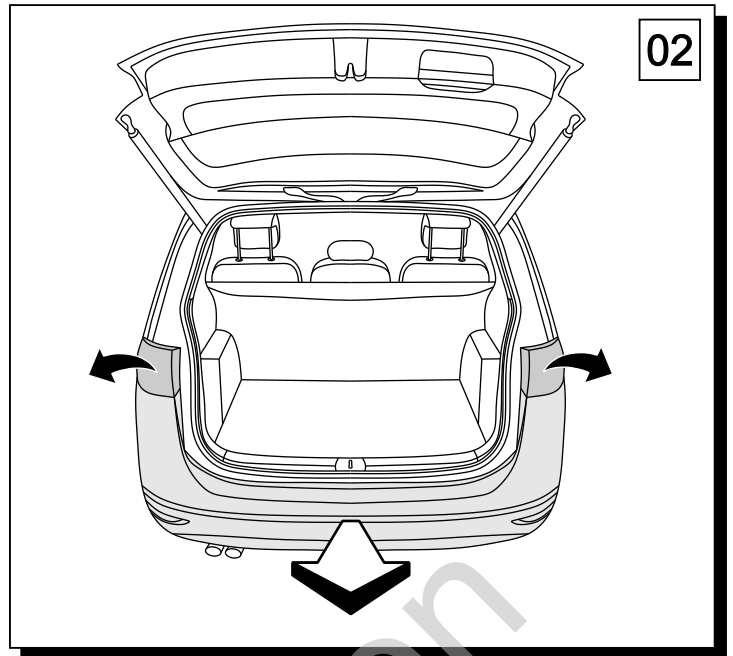
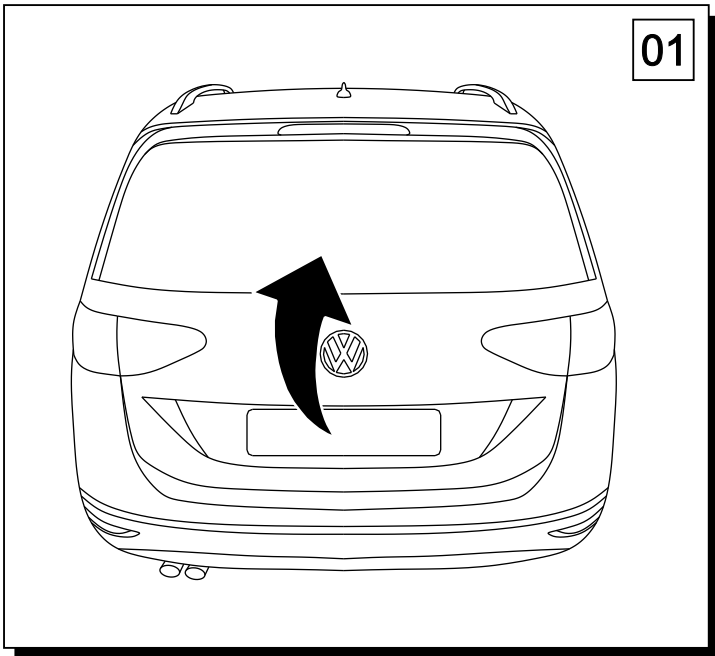
0 km →

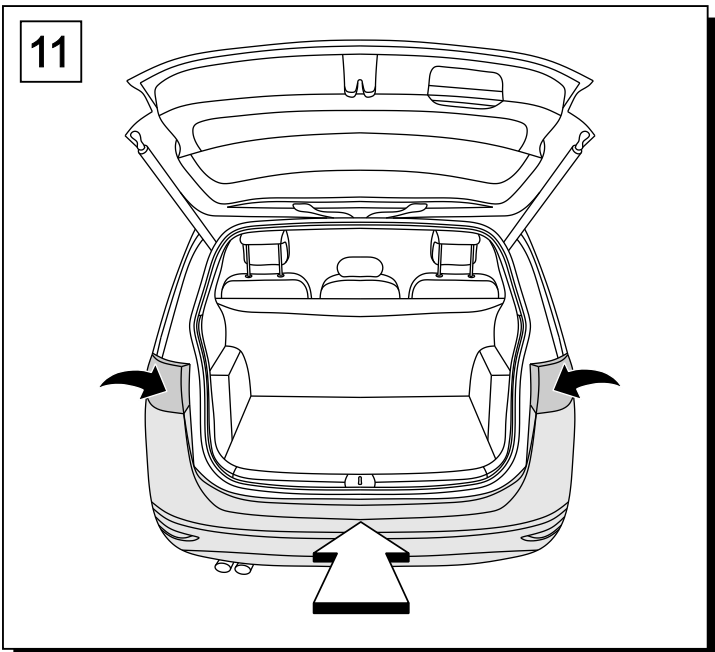
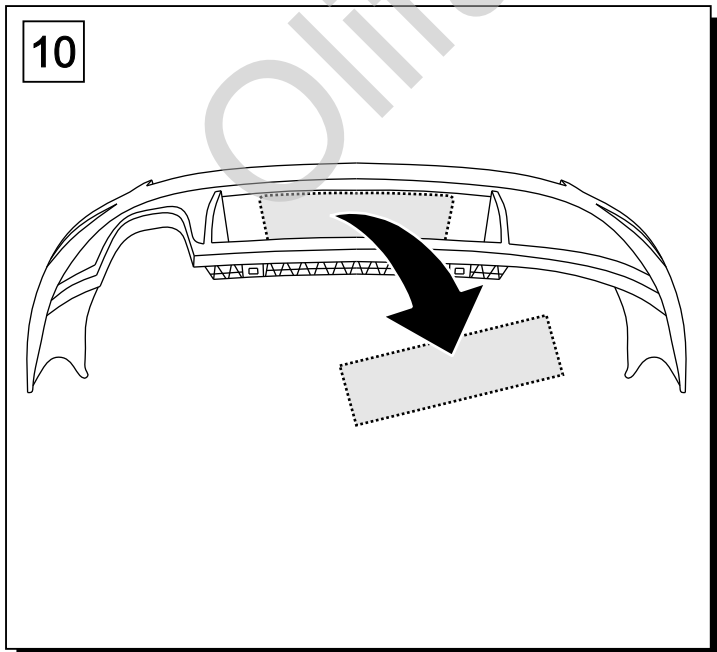
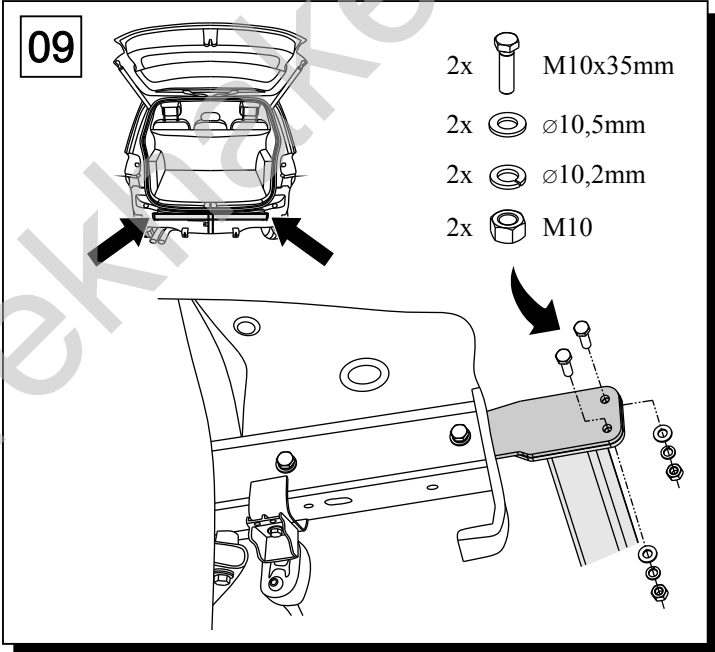
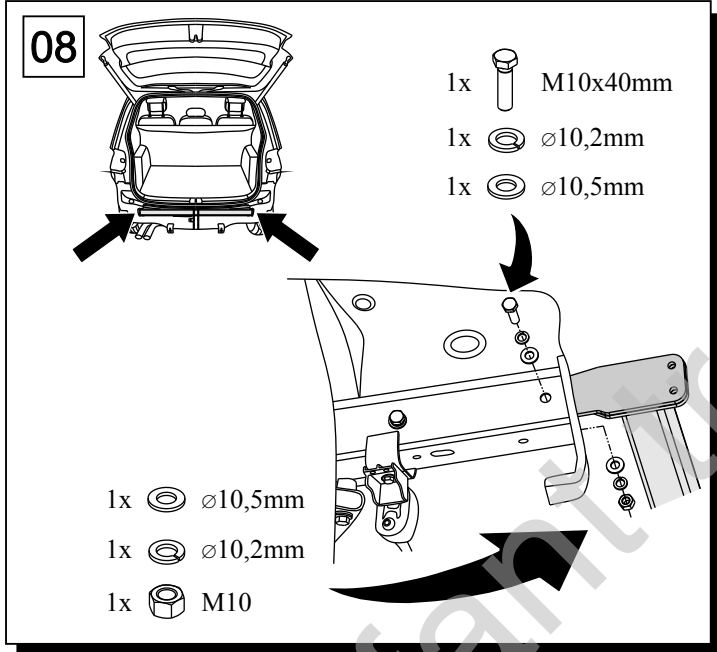
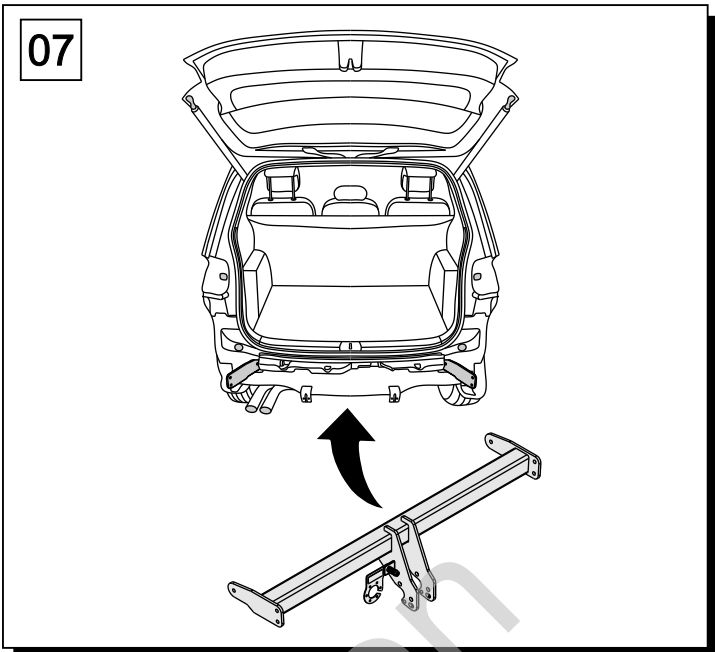
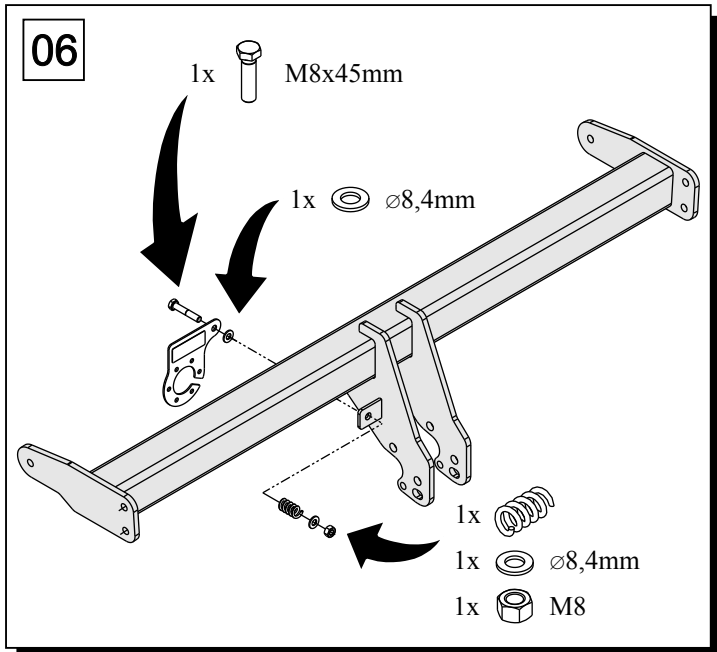


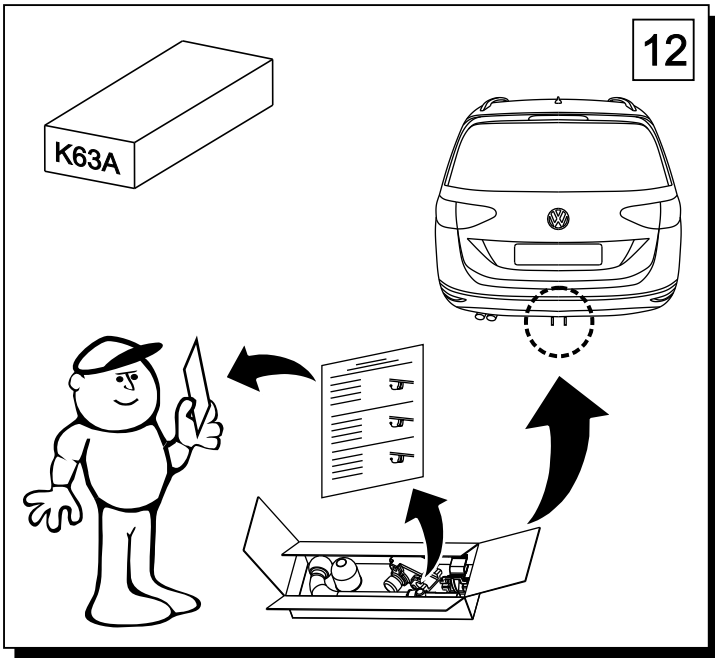
1000 km



1		x1		7	M10x40	x2	
				8	M10x35	x6	
				9	M8x45	x1	
				10	∅ 10.5	x10	
				11	∅ 8.5	x2	
2		x1		12	∅ 10.2	x10	
					13	M10	x6
					14	M8	x1
3		x1					
4		x1					
5		x1					
		Art.nr-KL1K63A					
6		x1					







Olifant trekhaken