

# AUTO-HAK Sp. z o.o.

ul. Słoneczna 16K 76-200 SŁUPSK  
POLAND

tel/fax +48 59 8 414 414; +48 59 8 414 413

e-mail: [office@autohak.com.pl](mailto:office@autohak.com.pl)

[www.autohak.com.pl](http://www.autohak.com.pl)




# AUTO-HAK

**VOLKSWAGEN PASSAT B8  
4D, KOMBI, 4 MOTION**


 **11.2014** →


**VOLKSWAGEN PASSAT B9  
KOMBI**

 **2024** →

 **E20-55R-01 4240**

 **11,5 kN**

 **R=2235 kg**

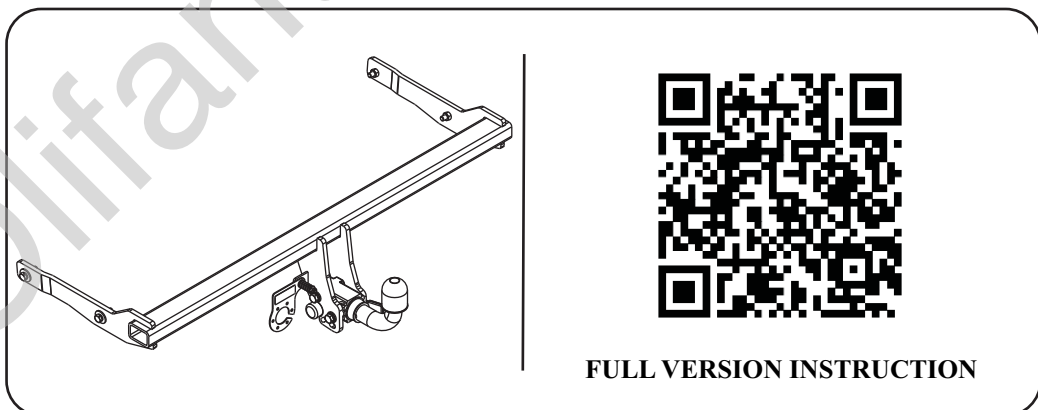
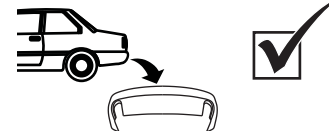
 **S=100 kg**

**Nr kat.**

**K62A**



**1h**

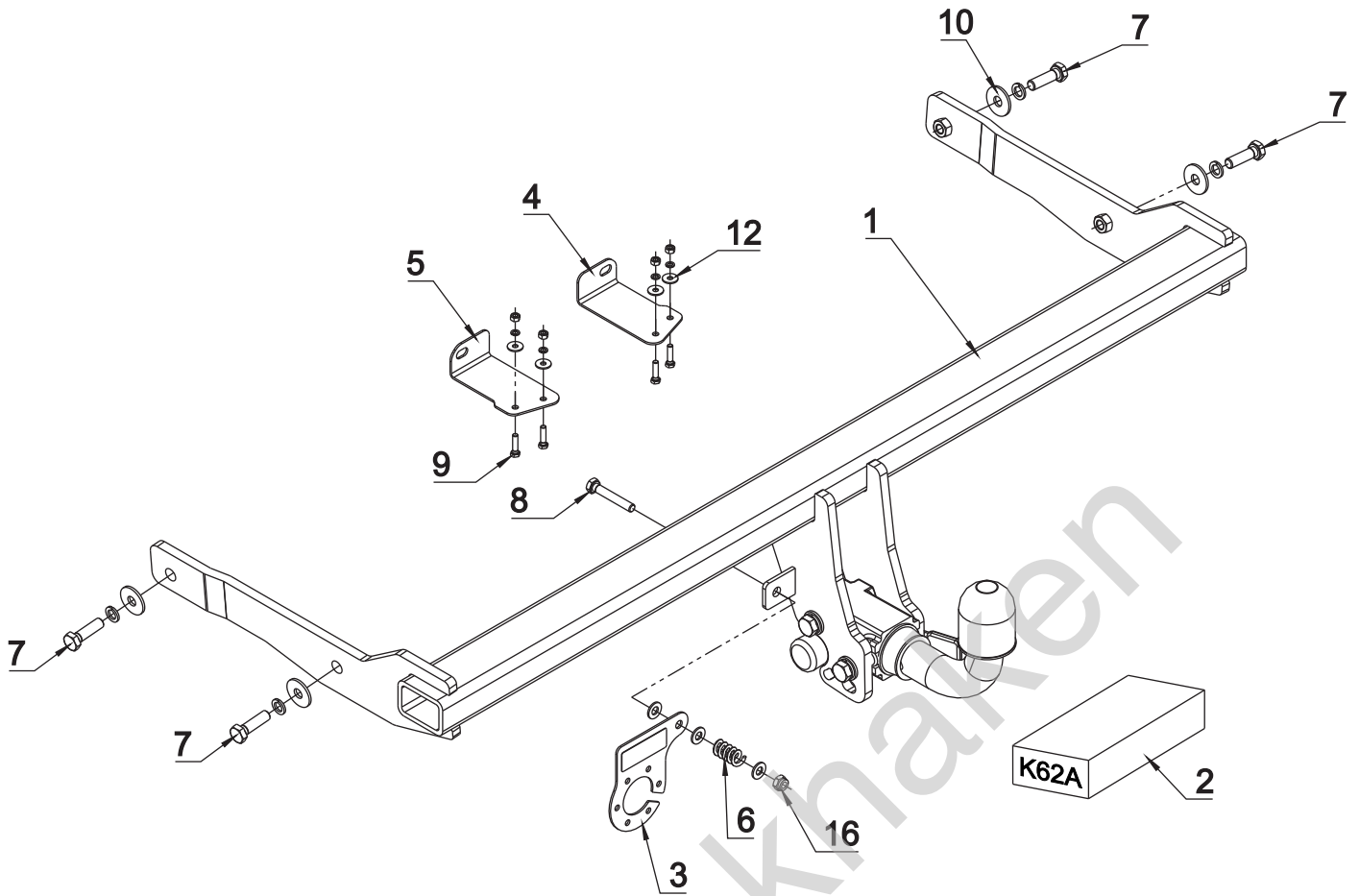


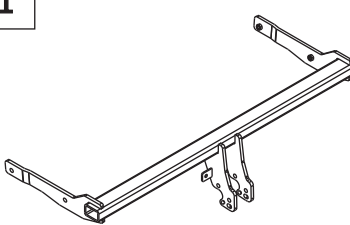

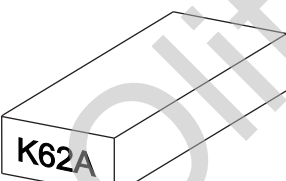

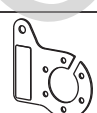

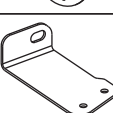

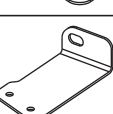

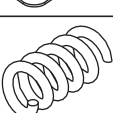
FULL VERSION INSTRUCTION



śruba	Nm	M6	M8	M10	M12	M14	M16
klasa 8.8		9,9	24	48	83	132	200
klasa 10.9		14	34	67	117	185	285

 **0 km** →  **1000 km**



	x1		7	M10x35	x4
			8	M8x50	x1
			9	M5x20	x4
			10	$\varnothing$ 30x $\varnothing$ 10.5x2.5 10 DIN 9021	4
 K62A Art.nr-KL1K62A	x1		11	$\varnothing$ 8.4	x3
			12	$\varnothing$ 15x $\varnothing$ 5.3x1.2 5 DIN 9021	4
 Art.nr-BL12K62A	x1		13	$\varnothing$ 10.2	x4
			14	$\varnothing$ 5.1	x4
	x1		15	M5	x4
				x1	
	x1				

