

# PPUH AUTO-HAK Sp.J.

Henryk i Zbigniew Nejman  
ul. Słoneczna 16K 76-200 SŁUPSK  
POLAND

tel/fax +48 59 8 414 414; +48 59 8 414 413

e-mail: [office@autohak.com.pl](mailto:office@autohak.com.pl)

[www.autohak.com.pl](http://www.autohak.com.pl)



# AUTO-HAK



## VOLKSWAGEN GOLF VII SPORTSVAN

Cat. no:

**K61A**



06.2014 →



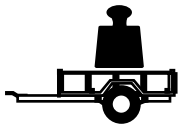
E20-55R-01 3947



2h



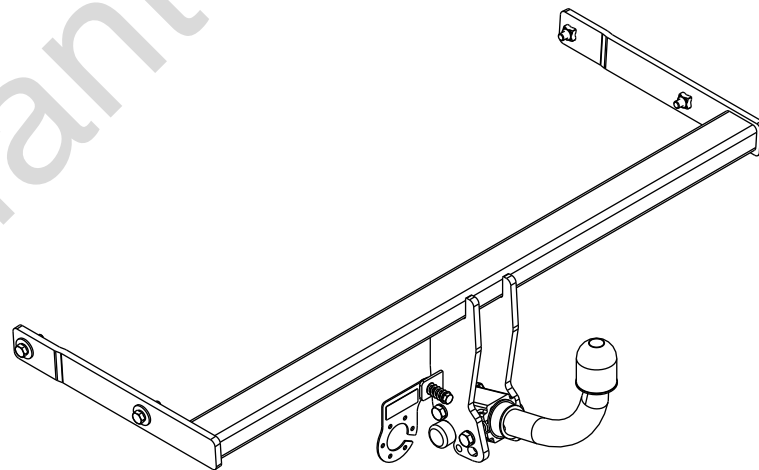
10,0 kN



R=2000 kg



S=80 kg



M6 - 11 Nm  
M10 - 50 Nm  
M14 - 138 Nm

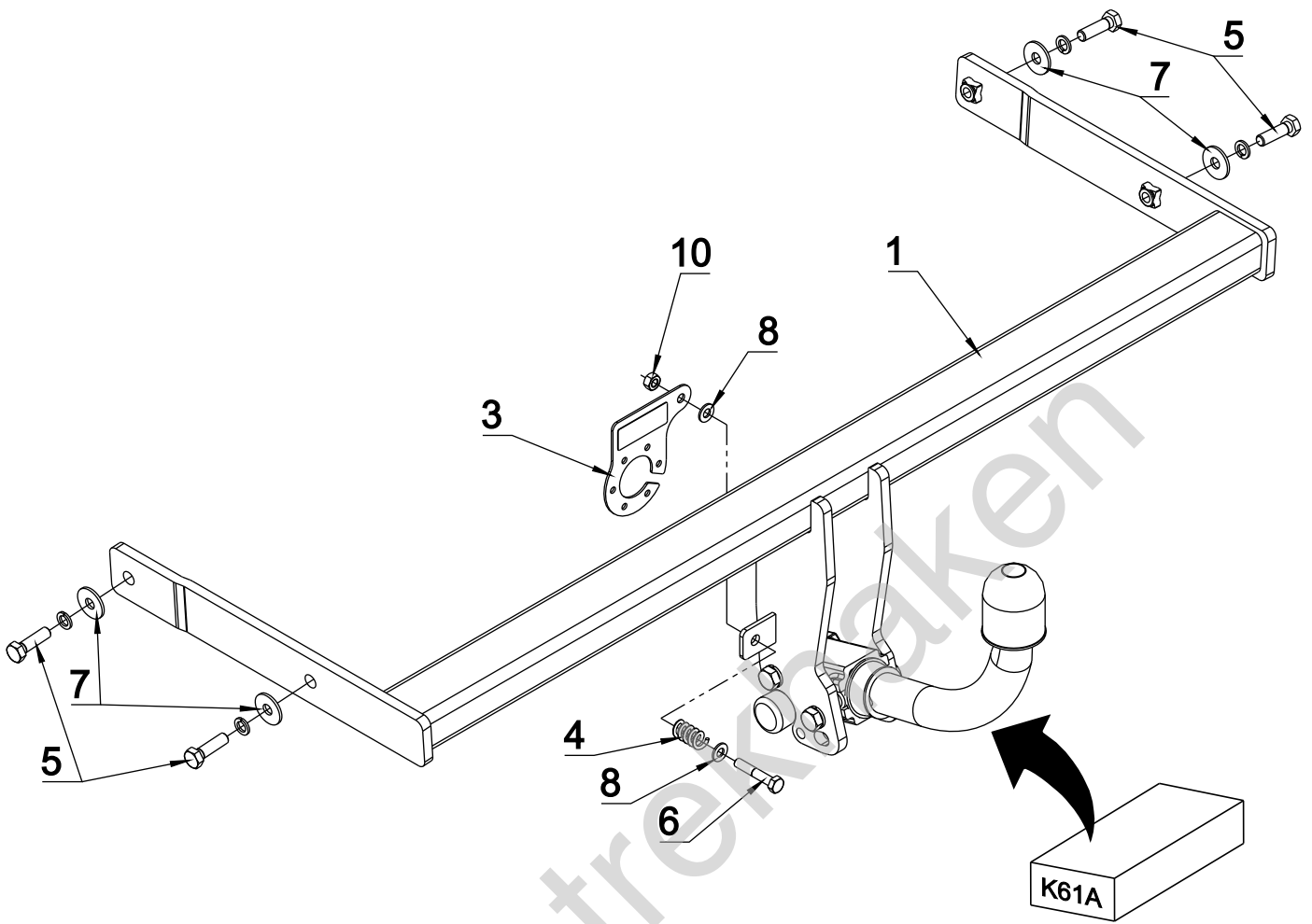
M8 - 25 Nm  
M12 - 87 Nm  
M16 - 210 Nm

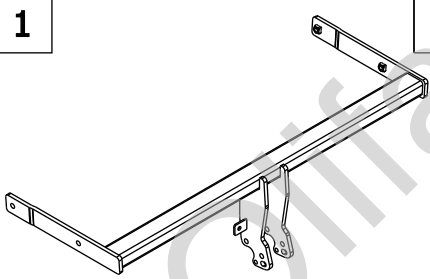
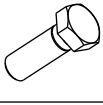
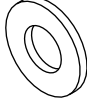
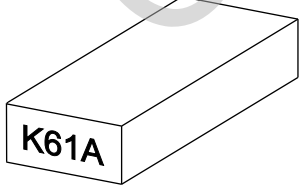
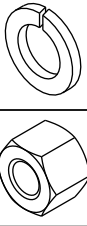
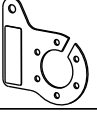
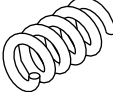


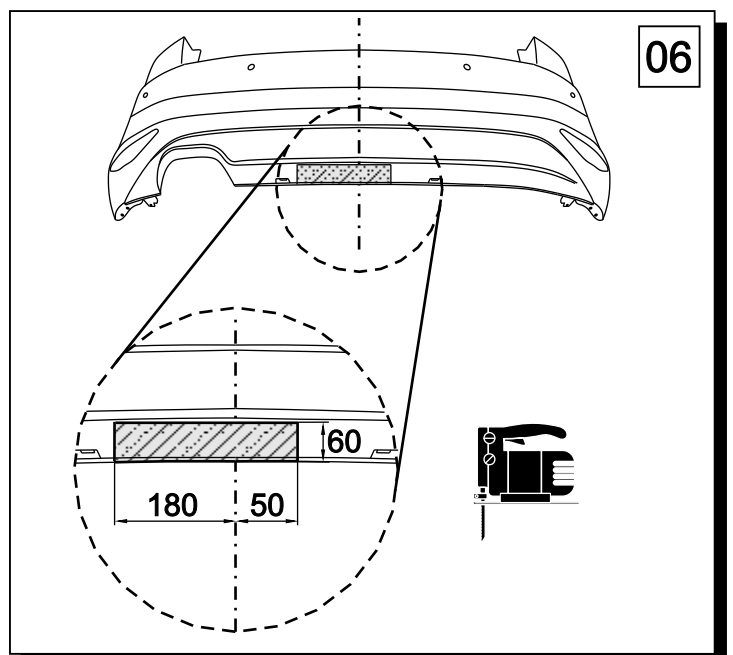
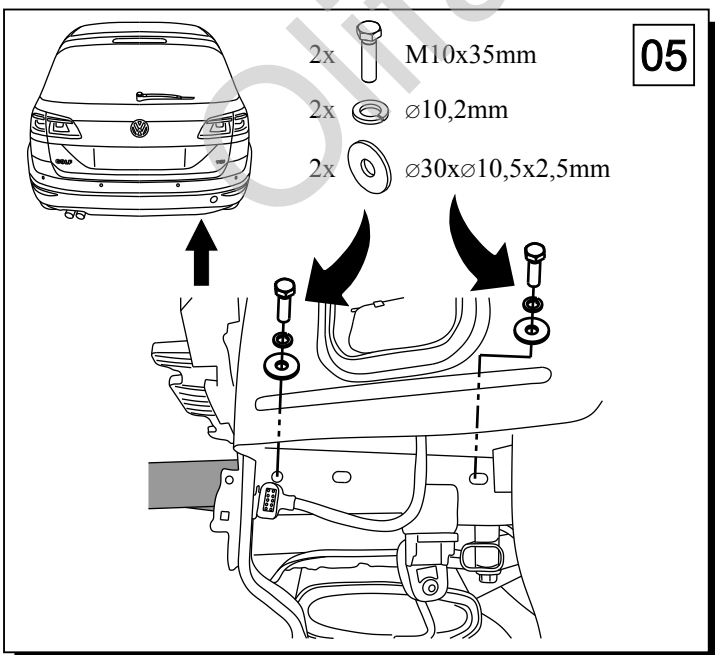
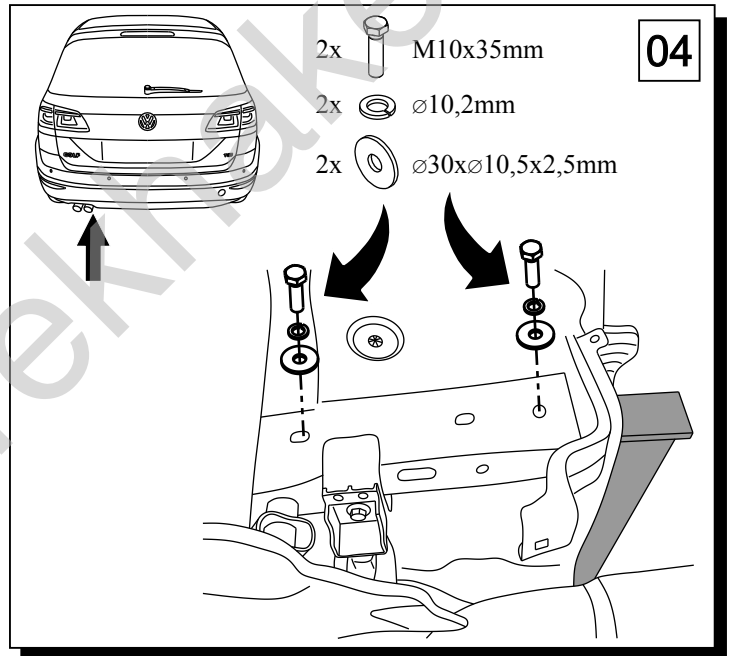
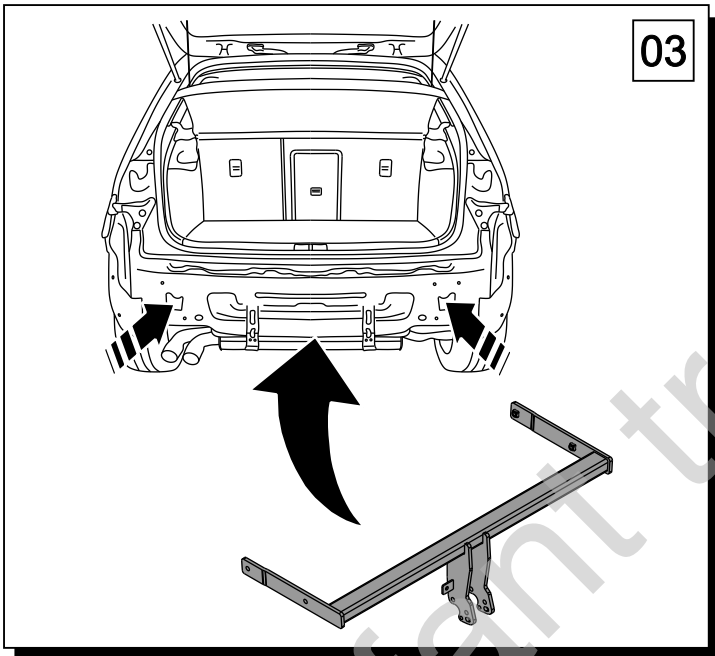
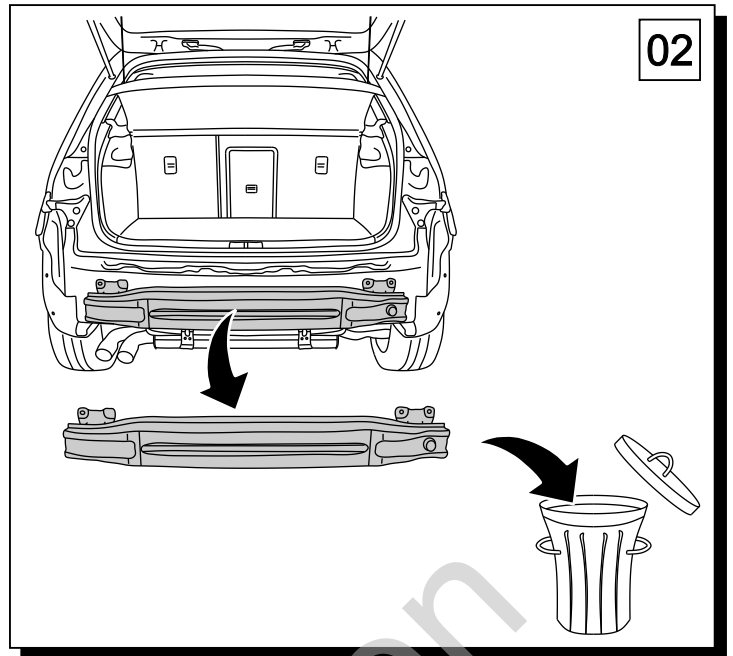
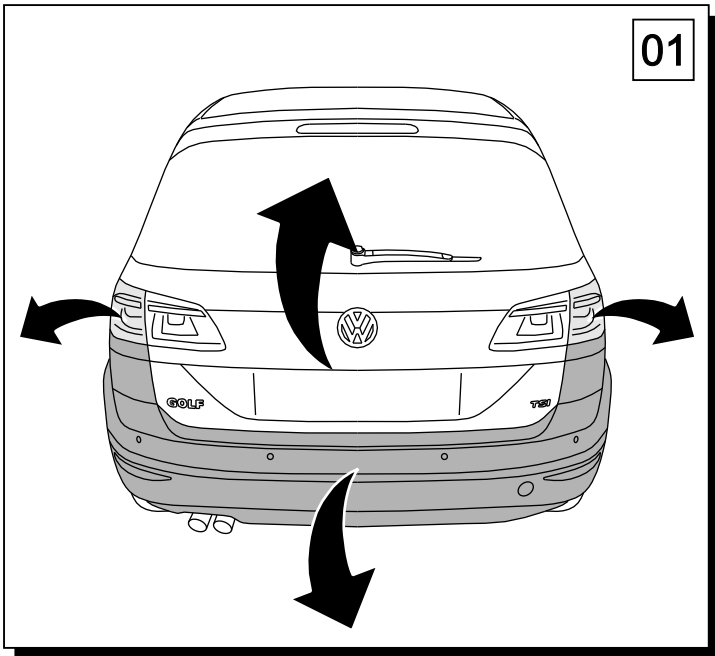
0 km →

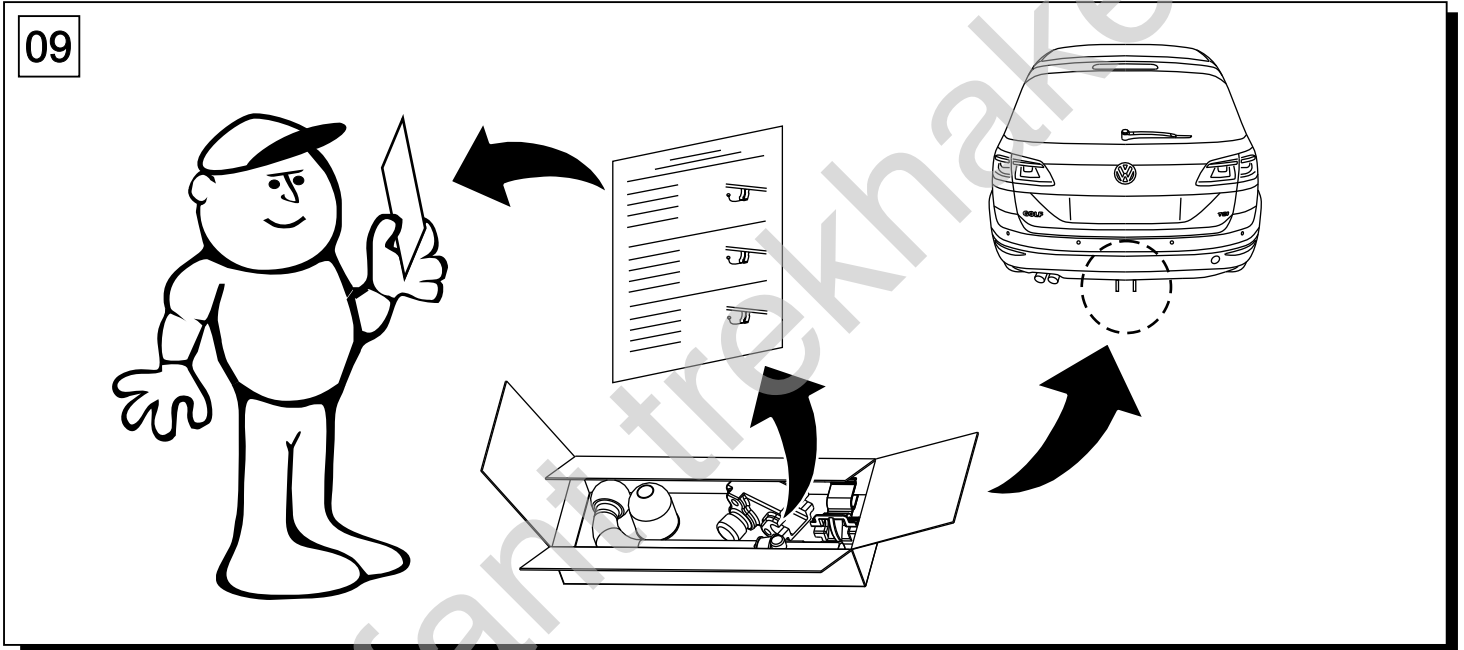
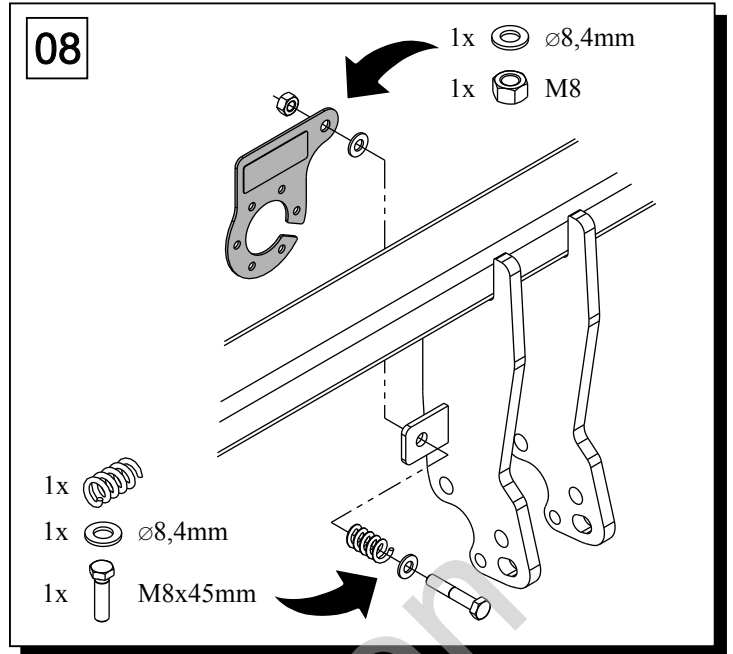
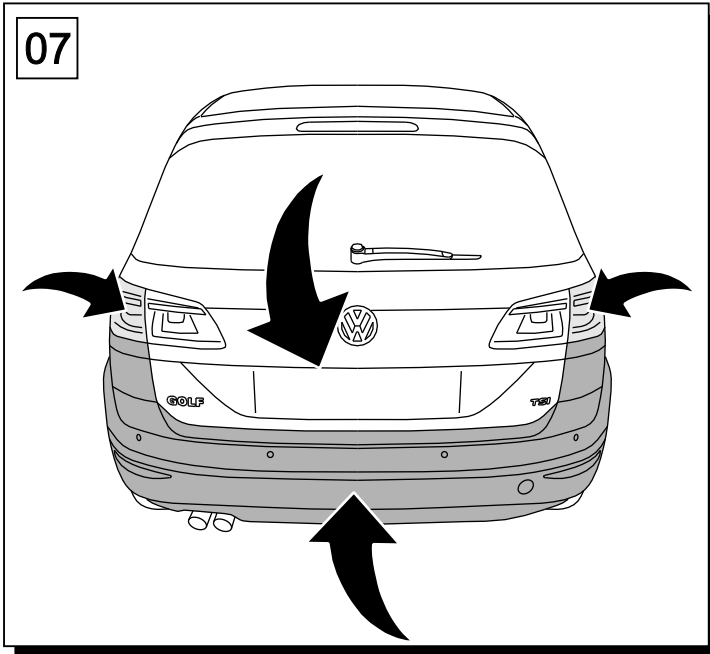



1000 km



	x 1		5	M 10x35	x 4	
			6	M 8x45	x 1	
				7	∅ 30x∅10.5x2.5 10 (DIN 9021)	x 4
				8	∅ 8.3	x 2
	x 1		9	∅ 10.2	x 4	
			10	M 8	x 1	
	x 1					
					Art.nr-BL1K61A	
	x 1					
					Art.nr-KL1K61A	



<b>M6</b>	-	11 Nm	<b>M8</b>	-	25 Nm
<b>M10</b>	-	50 Nm	<b>M12</b>	-	87 Nm
<b>M14</b>	-	138 Nm	<b>M16</b>	-	210 Nm

**0 km** → **1000 km**