

PPUH AUTO-HAK Sp.J.

Henryk i Zbigniew Nejman
ul. Słoneczna 16K 76-200 SŁUPSK
POLAND

tel/fax +48 59 8 414 414; +48 59 8 414 413

e-mail: office@autohak.com.pl

www.autohak.com.pl



AUTO-HAK



**VOLKSWAGEN SHARAN
SEAT ALHAMBRA**

5D, VAN

Cat. no:

K60A



06.2012 →



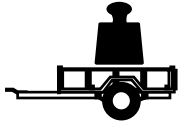
E20-55R-01 3921



2h

D

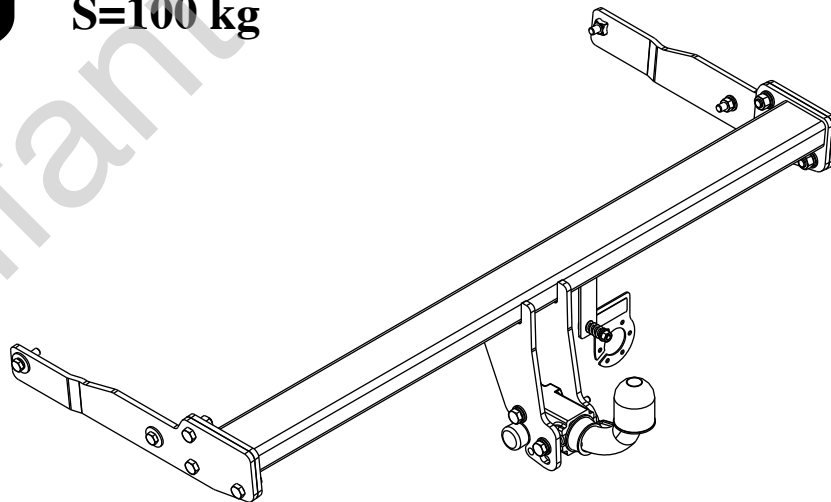
12,5 kN



R=2500 kg



S=100 kg



**M6 - 11 Nm
M10 - 50 Nm
M14 - 138 Nm**

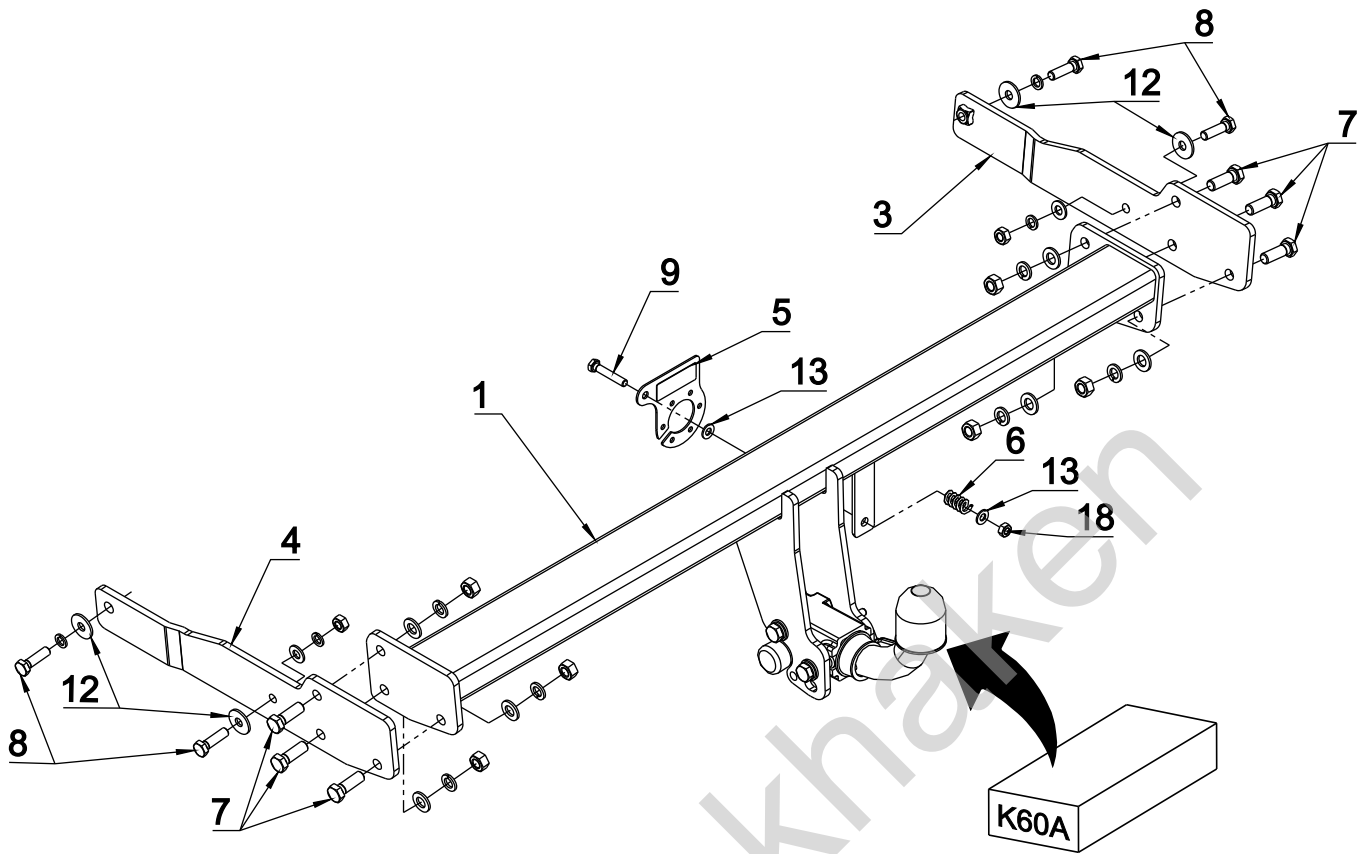
**M8 - 25 Nm
M12 - 87 Nm
M16 - 210 Nm**

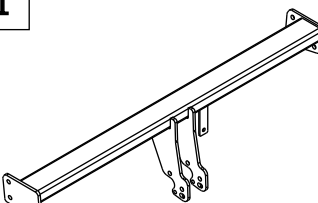

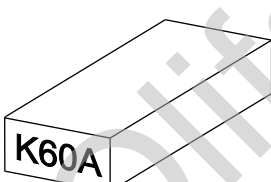

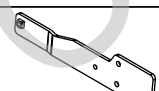

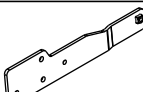



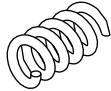



0 km →

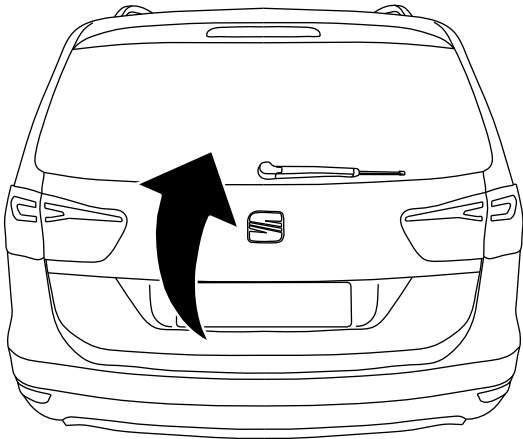


1000 km

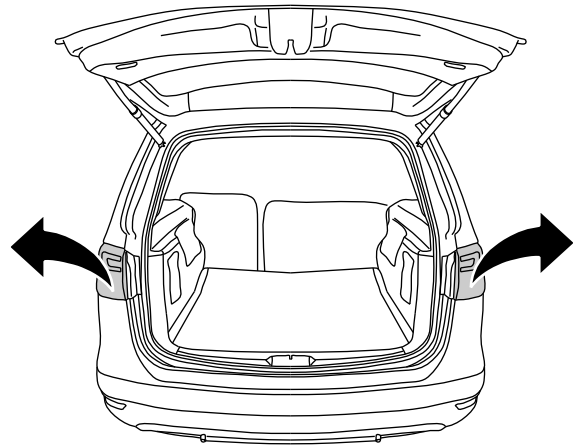


1		x1		7	M 12x35	x6
				8	M 10x35	x4
2		x1		9	M 8x45	x1
				10	∅ 13	x6
3		x1		11	∅ 10.5	x2
				12	∅ 30x∅10.5x2.5 10 (DIN 9021)	x4
4		x1		13	∅ 8.3	x2
				14	∅ 12.2	x6
5		x1		15	∅ 10.2	x4
				16	M 12	x6
6		x1		17	M 10	x2
				18	M 8	x1

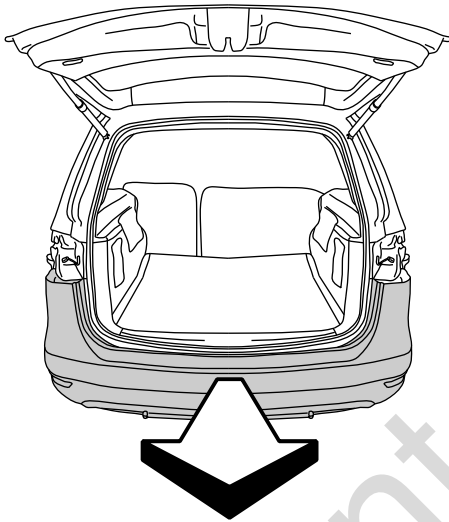
01



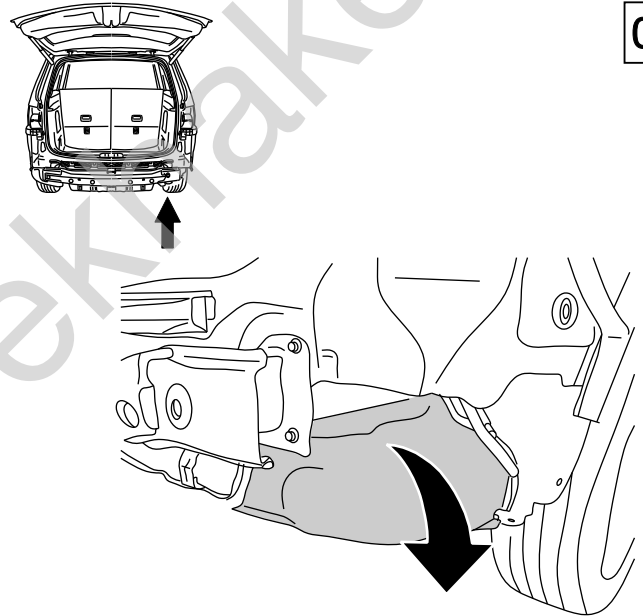
02



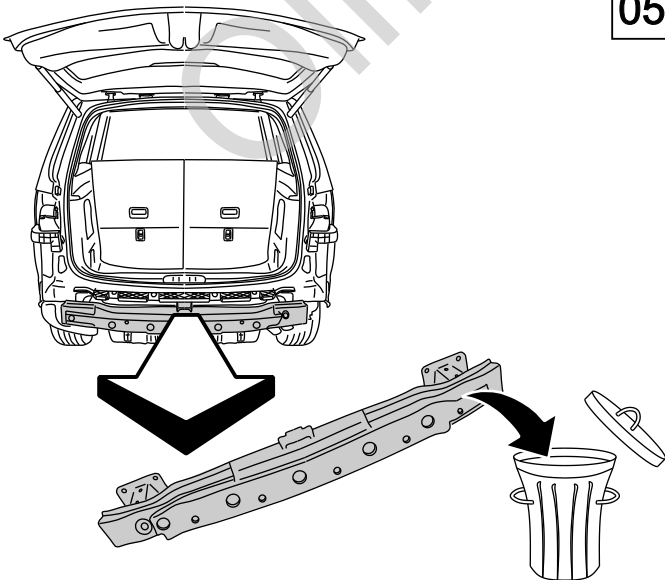
03



04



05



06

