

AUTO-HAK Sp. z o.o.

ul. Słoneczna 16K 76-200 SŁUPSK
POLAND

tel/fax +48 59 8 414 414; +48 59 8 414 413

e-mail: office@autohak.com.pl

www.autohak.com.pl



AUTO-HAK

VOLKSWAGEN GOLF VII KOMBI

Nr kat.

K59A



08.2013 →



E20-55R-01 3839

D

10,2 kN



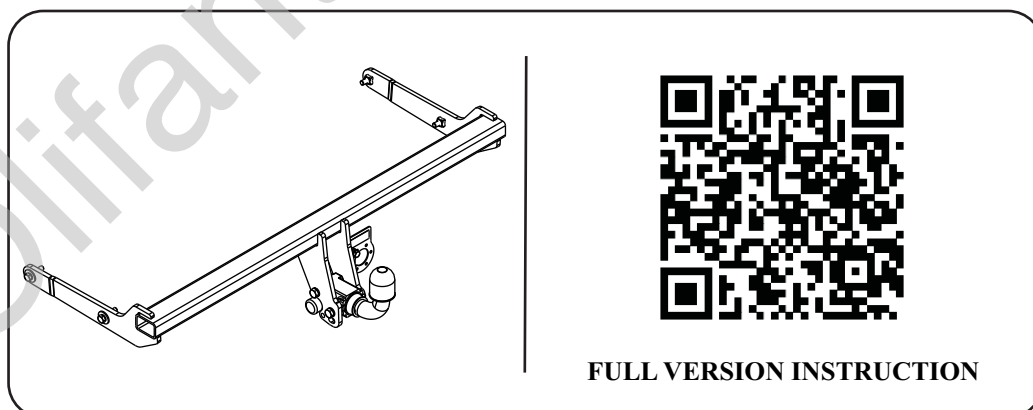
R=2000 kg



S=80 kg



2h



FULL VERSION INSTRUCTION



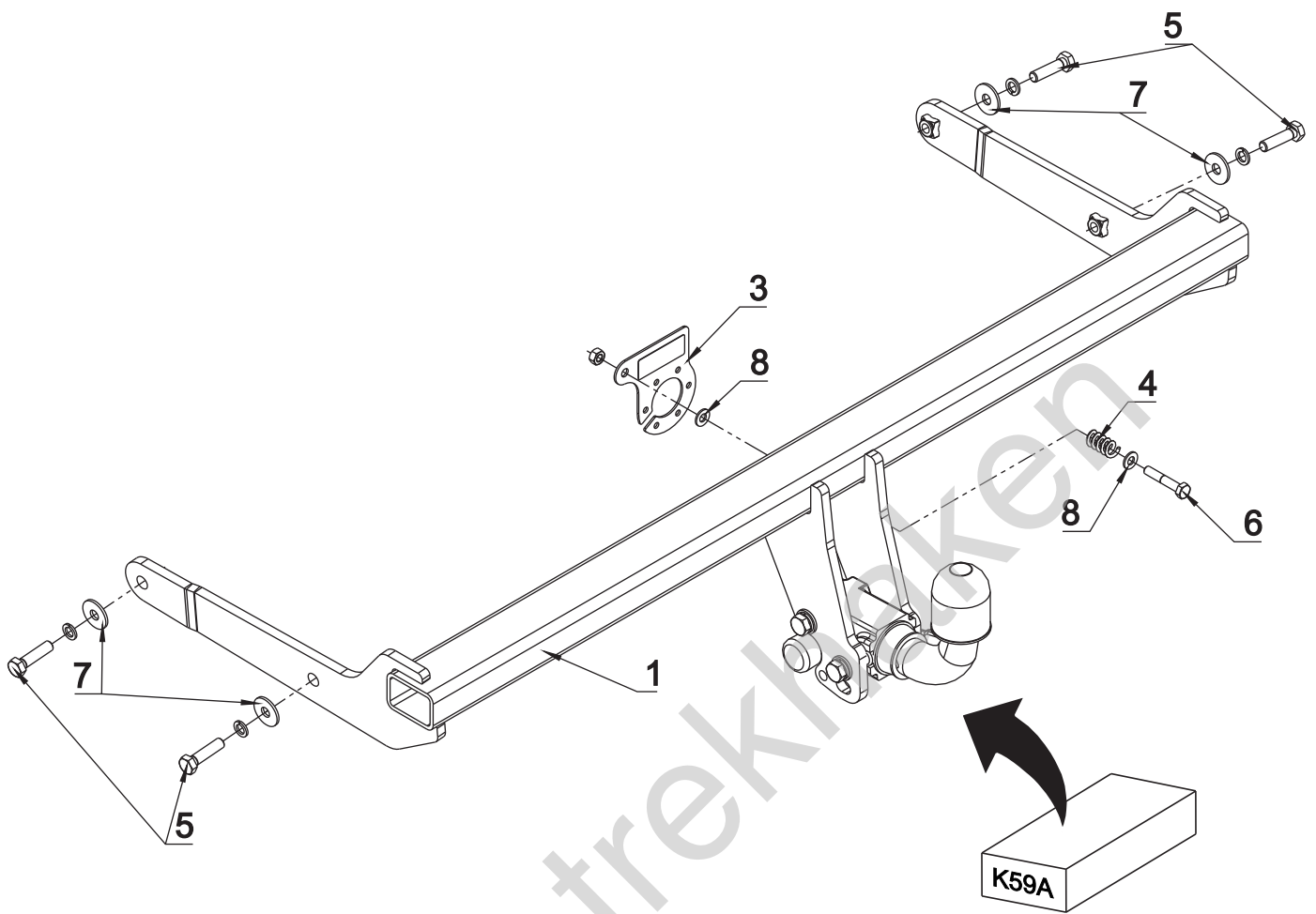
śruba	Nm	M6	M8	M10	M12	M14	M16
klasa 8.8		9,9	24	48	83	132	200
klasa 10.9		14	34	67	117	185	285

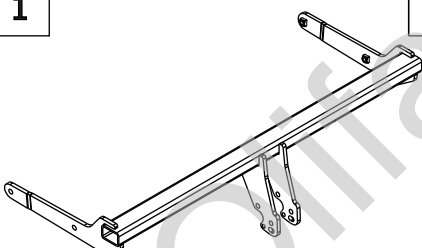




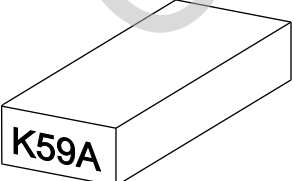
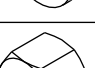

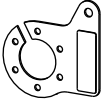
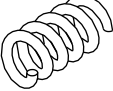


0 km



1000 km



	x1		5 M10x40	x4	
				6 M8x45	x1
				7 \varnothing 30x \varnothing 10.5x2.5 10 (DIN 9021)	x4
				8 \varnothing 8.4	x2
	x1		9 \varnothing 10.2	x4	
				10 M8	x1
3		x1	Art.nr-BL1K59A		
4		x1			

