

AUTO-HAK Sp. z o.o.

ul. Słoneczna 16K 76-200 SŁUPSK
POLAND

tel/fax +48 59 8 414 414; +48 59 8 414 413

e-mail: office@autohak.com.pl

www.autohak.com.pl



AUTO-HAK

VOLKSWAGEN GOLF VII 3/5D

~~R-Line~~

⌚ 09.2012 → 11.2016

SEAT LEON 3/5D

⌚ 11.2012 → 05.2015

Nr kat.

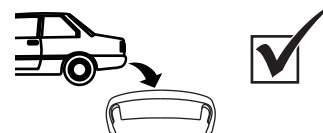
K58A


E20 E20-55R-01 3094




2h

D 9,9 kN

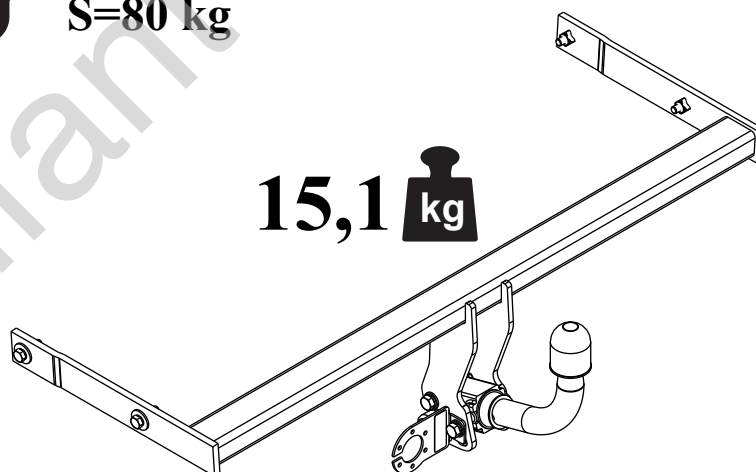


 **R=2000 kg**



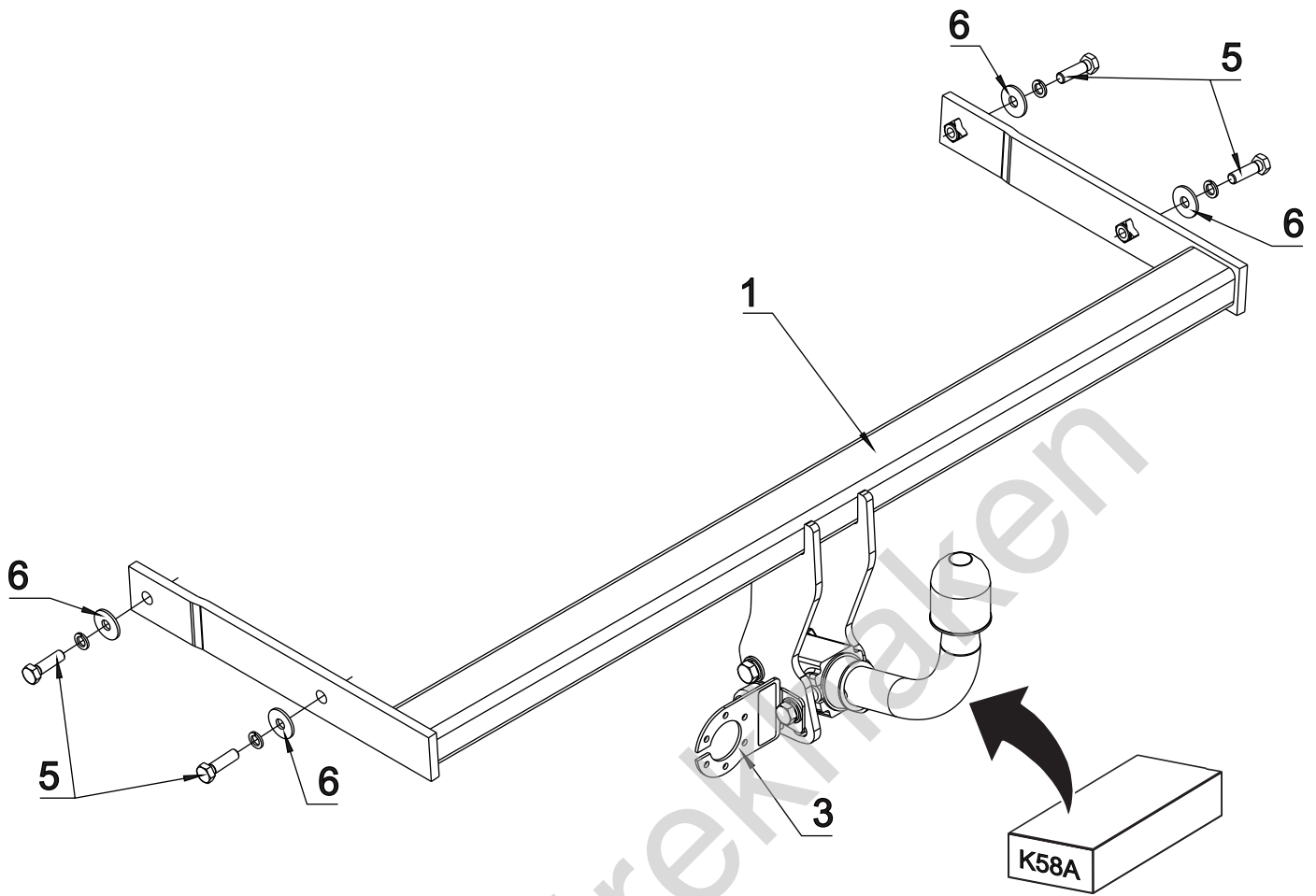
 **S=80 kg**

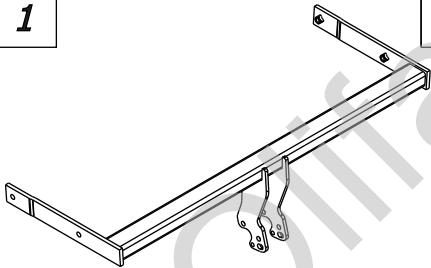
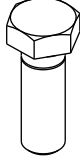

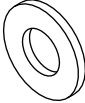
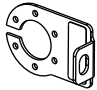

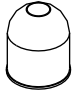
15,1 kg

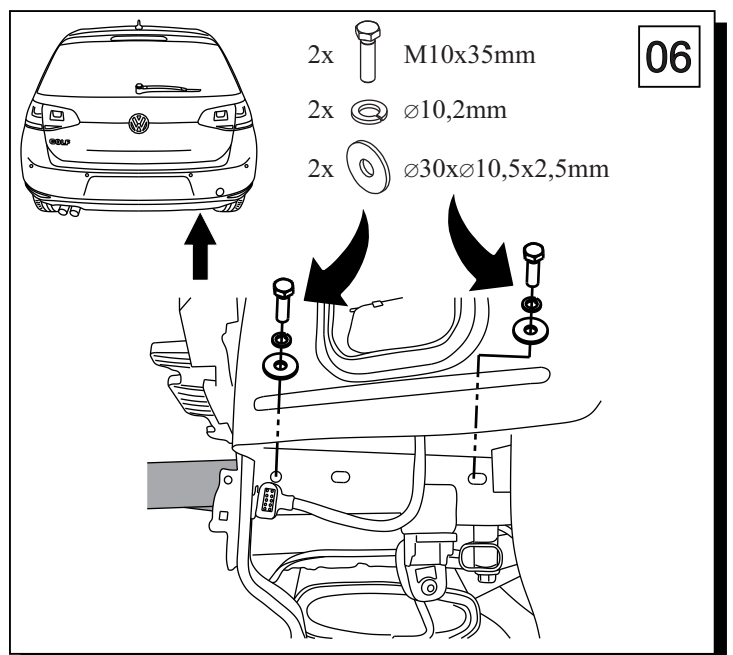
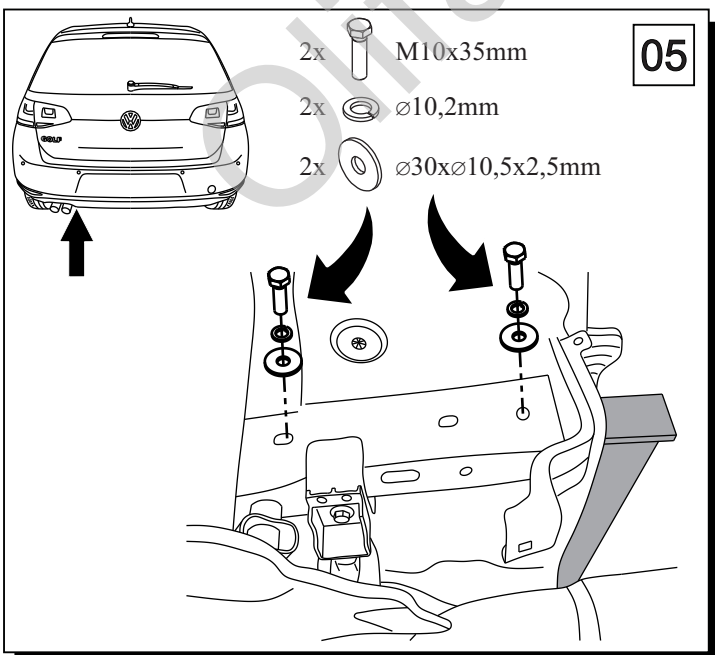
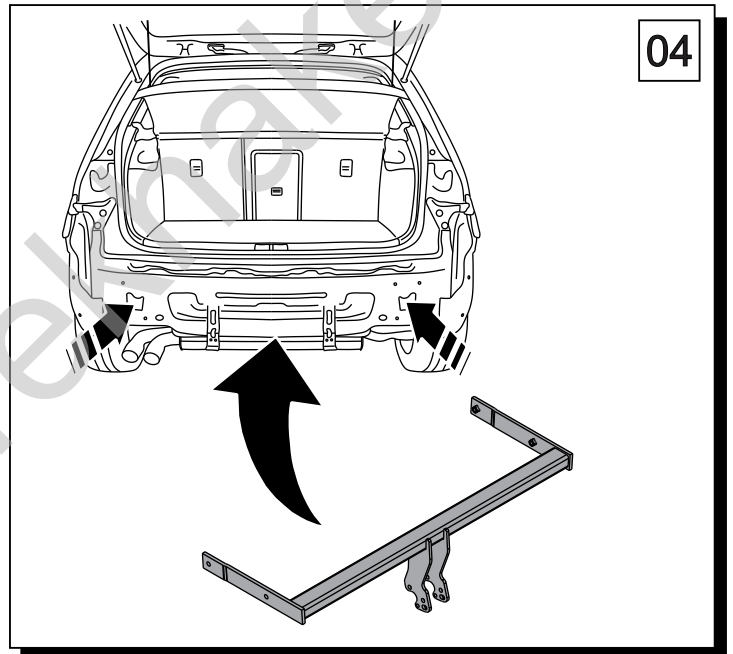
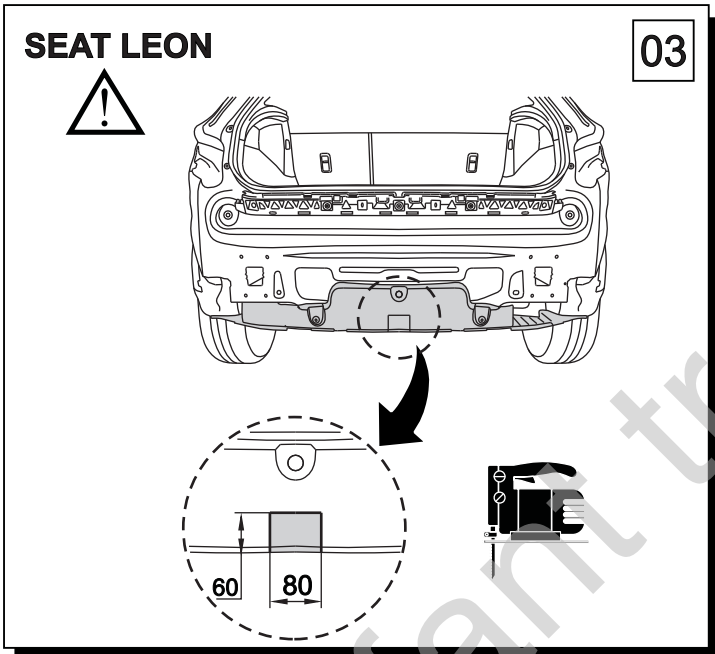
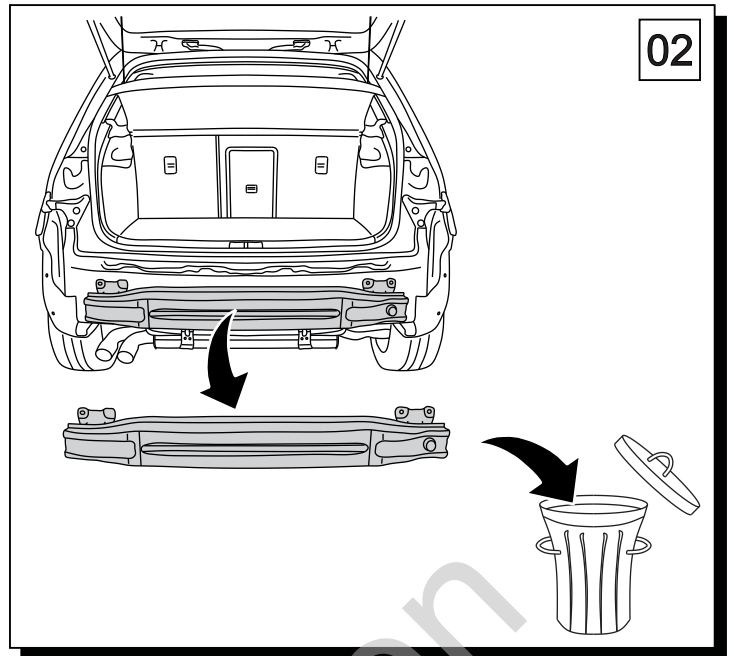
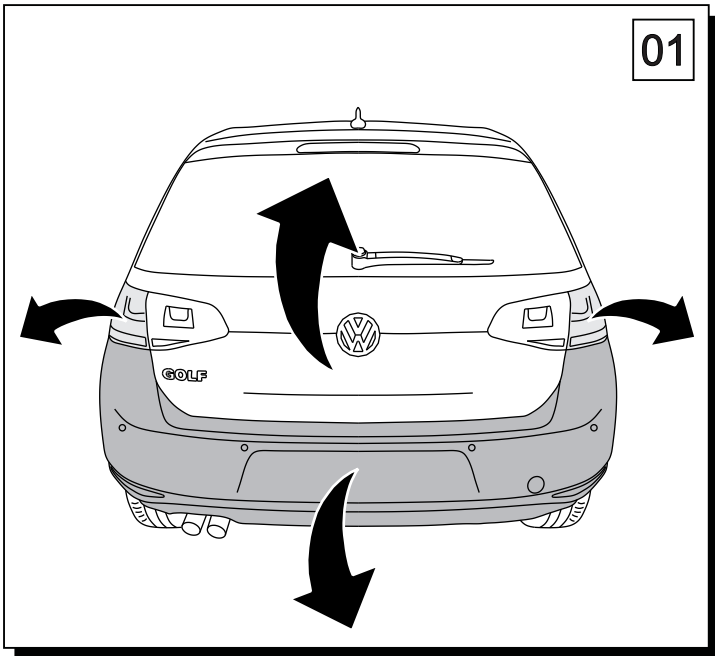


śruba	Nm	M6	M8	M10	M12	M14	M16
klasa 8.8		9,9	24	48	83	132	200
klasa 10.9		14	34	67	117	185	285

⌚ 0 km → ⌚ 1000 km

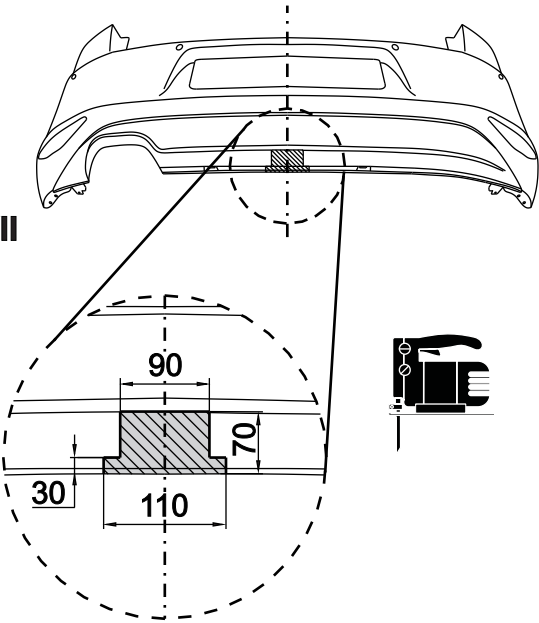


	x1		5 M10x35	x4
	x1 Art.nr-KL1K58A		6 \varnothing 30x \varnothing 10.5x2.5 10 (DIN 9021)	x4
	x1 Art.nr-BL1K58A		7 \varnothing 10.2	x4
	x1			



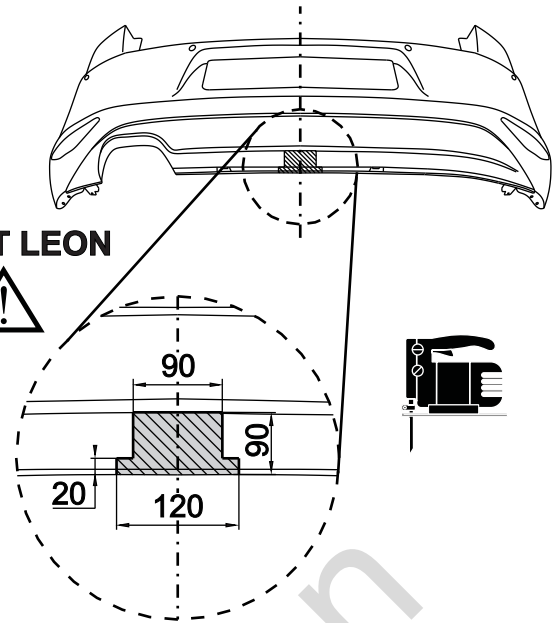
07

GOLF VII

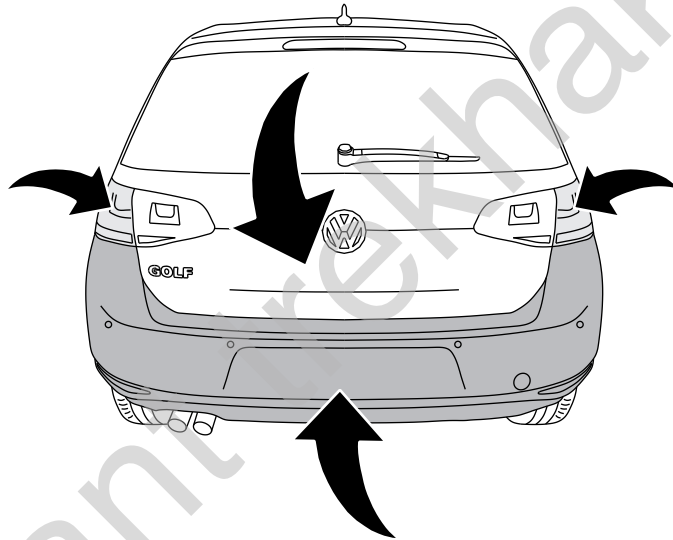


08

SEAT LEON



09



10

