

# PPUH AUTO-HAK Sp.J.

Henryk & Zbigniew Nejman  
ul. Słoneczna 16K 76-200 SŁUPSK  
POLAND

tel/fax +48 059 8-414-414; 8-414-413

e-mail: [office@autohak.com.pl](mailto:office@autohak.com.pl)

[www.autohak.com.pl](http://www.autohak.com.pl)



# AUTO-HAK



**VOLKSWAGEN PASSAT B7**  
SEDAN, KOMBI,  
4 Motion, ~~Alltrack~~

Cat. no:

**K57A**



10.2010 → 10.2014

e20

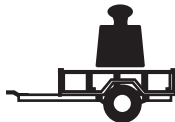
e20\*94/20\*1658\*00

D

11,3 kN



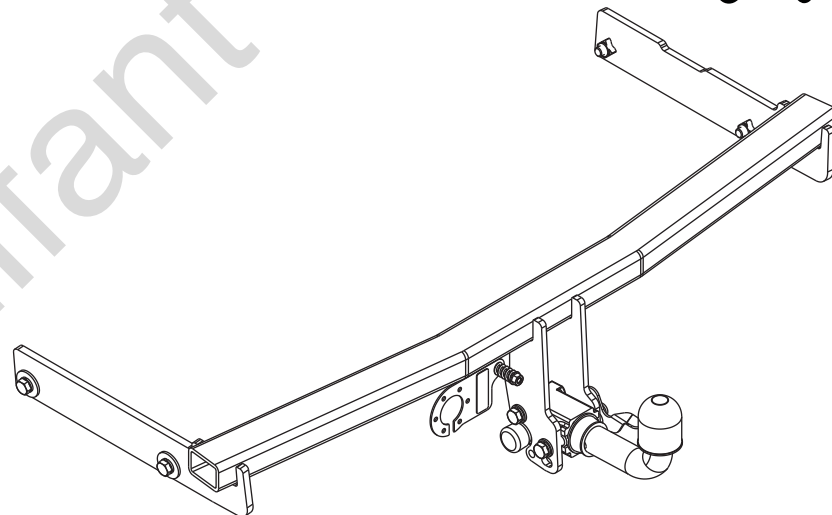
2h



R=2200 kg



S=90 kg



M6 - 11 Nm  
M10 - 50 Nm  
M14 - 138 Nm

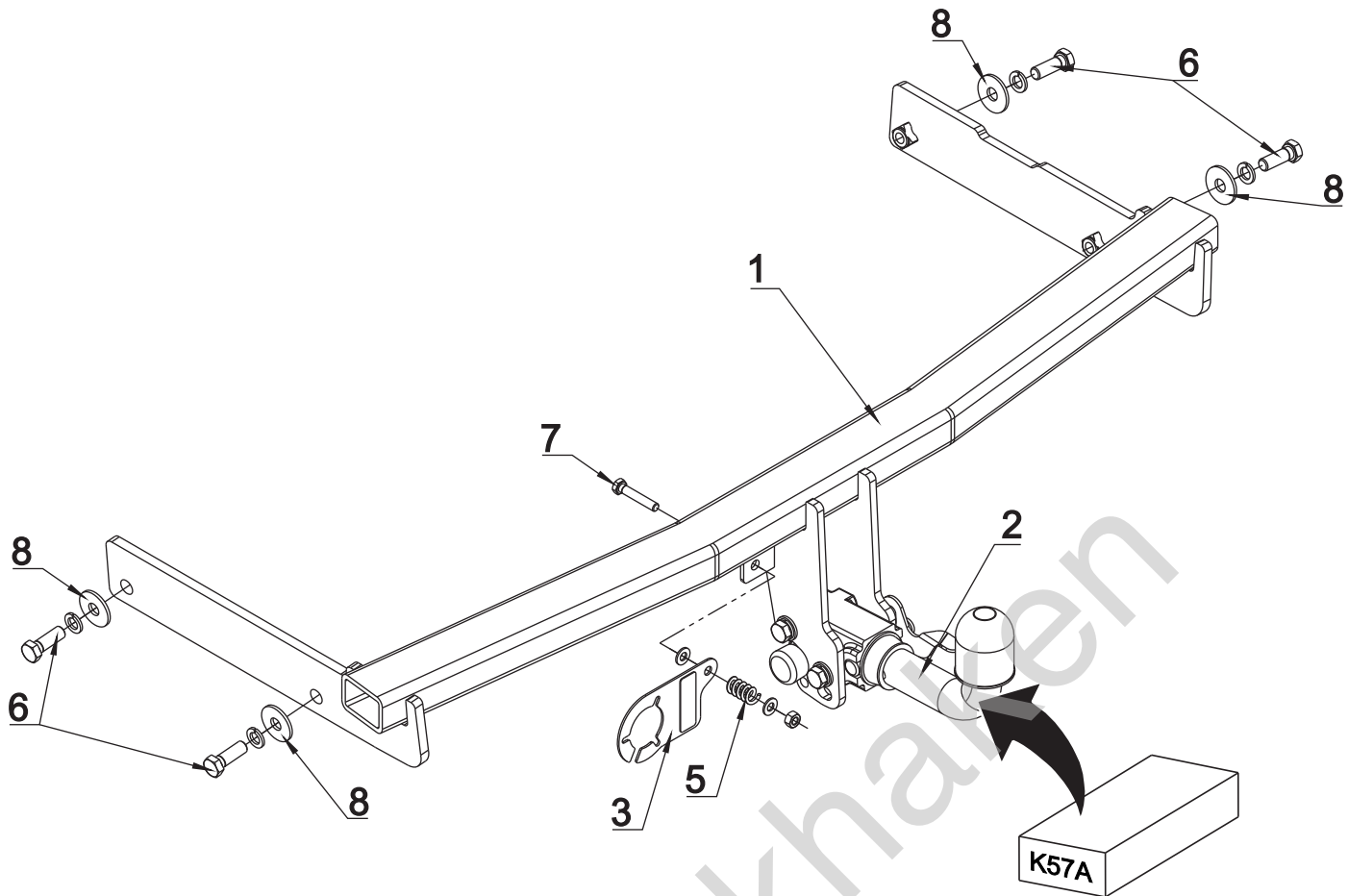
M8 - 25 Nm  
M12 - 87 Nm  
M16 - 210 Nm

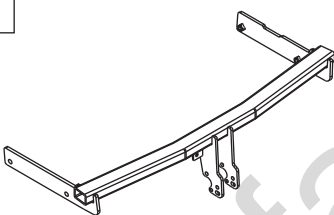



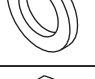
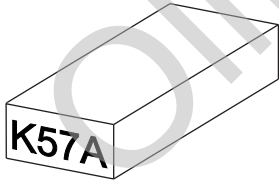


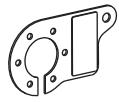

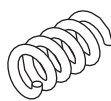


0 km →



1000 km



<b>1</b> 	<b>x1</b>		<b>6</b> M12x35	<b>4</b>
			<b>7</b> M8x45	<b>1</b>
			<b>8</b> $\phi$ 37x $\phi$ 13x3 13 DIN 9021	<b>4</b>
			<b>9</b> $\phi$ 8.3	<b>2</b>
<b>2</b>  Art.nr-KL1K57A	<b>x1</b>		<b>10</b> $\phi$ 12.2	<b>4</b>
			<b>11</b> M8	<b>1</b>
<b>3</b>  Art.nr-BL1K57A	<b>x1</b>			
<b>4</b> 	<b>x1</b>			
<b>5</b> 	<b>x1</b>			

