

PPUH AUTO-HAK Sp.J.

Henryk & Zbigniew Nejman
ul. Słoneczna 16K 76-200 SŁUPSK
POLAND

tel/fax +48 059 8-414-414; 8-414-413

e-mail: office@autohak.com.pl

www.autohak.com.pl



AUTO-HAK



VOLKSWAGEN JETTA IV
~~4drz., 4 Motion, Hybryda~~

Cat. no:

K56A



01.2011 →

e20

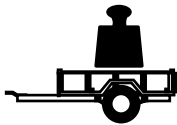
e20*94/20*1540*00



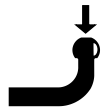
2h

D

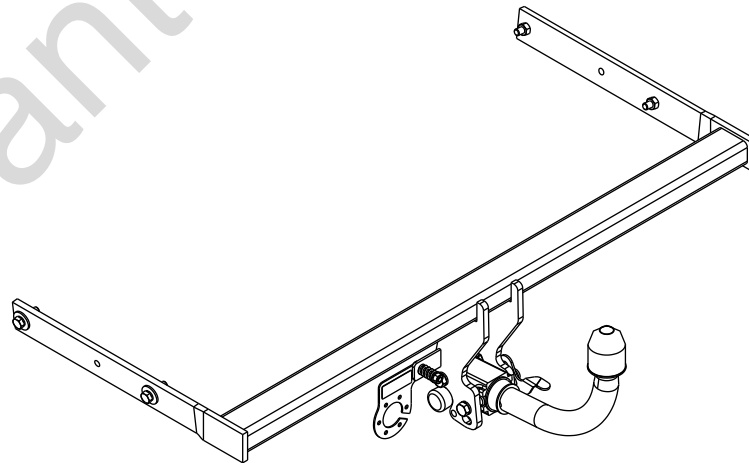
9,3 kN



R=1800 kg



S=75 kg



M6 - 11 Nm
M10 - 50 Nm
M14 - 138 Nm

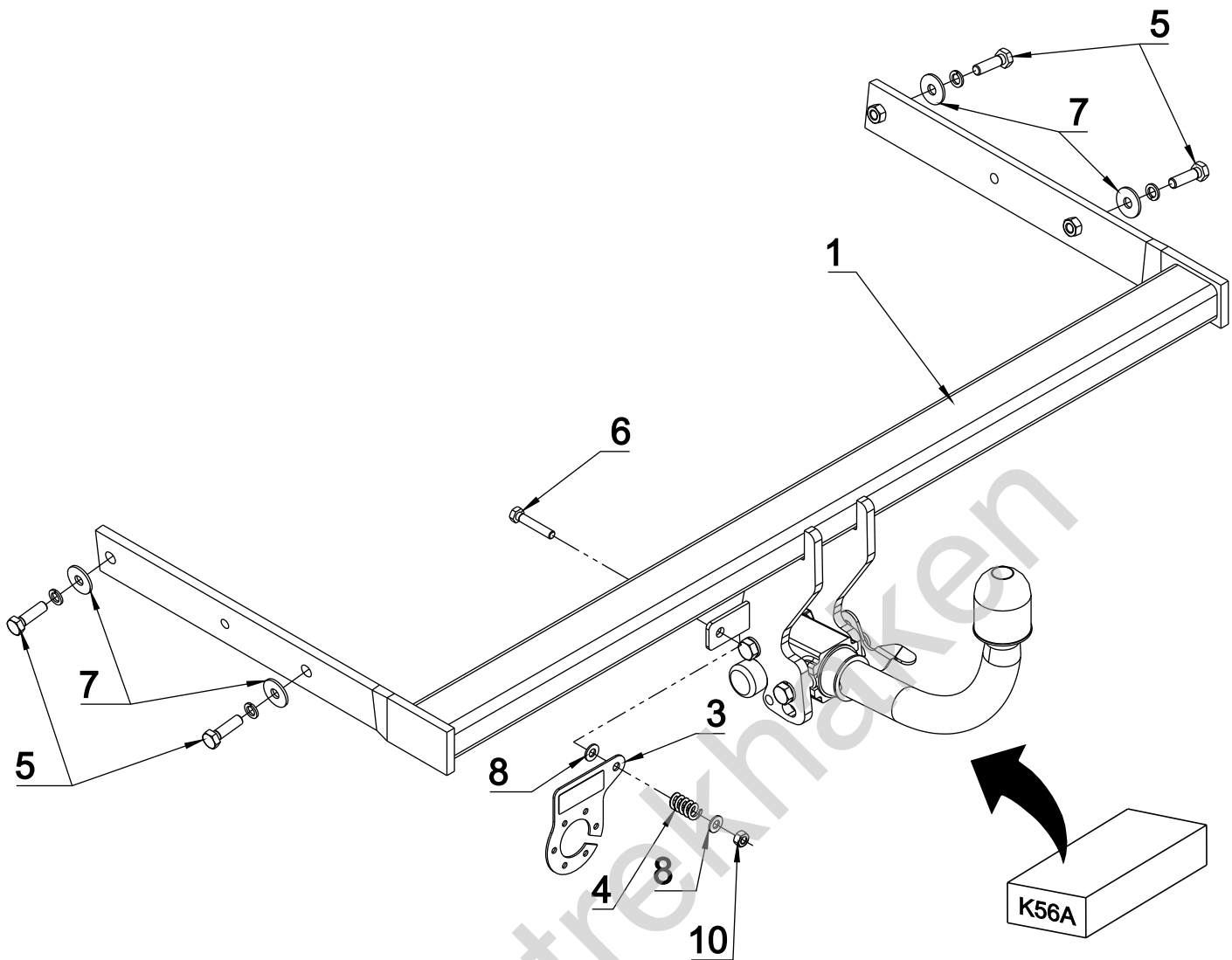
M8 - 25 Nm
M12 - 87 Nm
M16 - 210 Nm

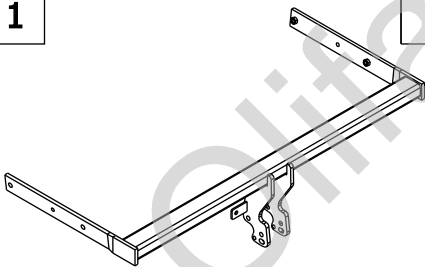
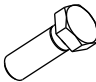



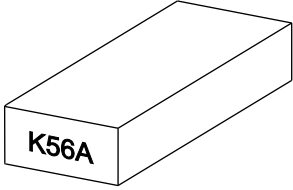

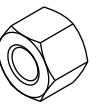
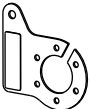
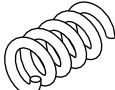


0 km →



1000 km



	x 1		5	M 10x35	x 4
			6	M 8x45	x 1
			7	∅ 30x∅10.5x2.5 10 (DIN 9021)	4
			8	∅ 8.4	x 2
	x 1		9	∅ 10.2	x 4
			10	M 8	x 1
		Art.nr-KL1K56A			
	x 1	Art.nr-BL1K56A			
	x 1				

