

PPUH AUTO-HAK Sp.J.

Henryk i Zbigniew Nejman
ul. Słoneczna 16K 76-200 SŁUPSK
POLAND

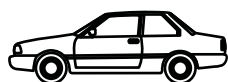
tel/fax +48 59 8 414 414; +48 59 8 414 413

e-mail: office@autohak.com.pl

www.autohak.com.pl



AUTO-HAK



**VOLKSWAGEN
TOUAREG, SUV**

Cat. no:

K46A



10.2002 → 03.2010

04.2010 → 09.2014

PORSCHE CAYENNE



12.2002 → 04.2010



2h

e20

e20*94/20*1402*00



D

16,3 kN



R=3500 kg



S=140

17,2 kg



M6 - 11 Nm
M10 - 50 Nm
M14 - 138 Nm

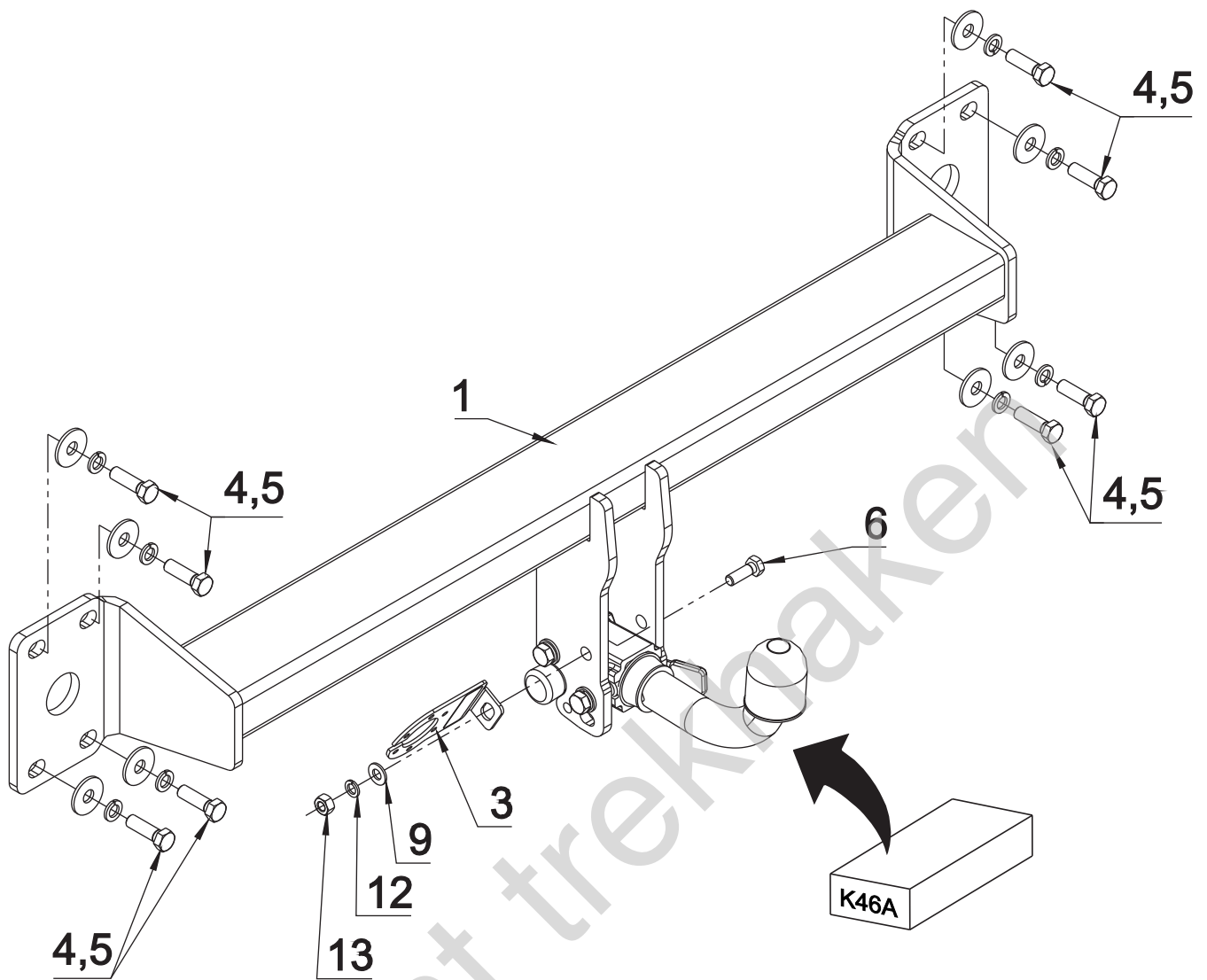
M8 - 25 Nm
M12 - 87 Nm
M16 - 210 Nm

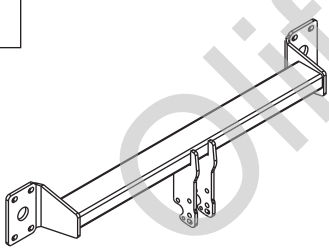
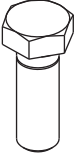
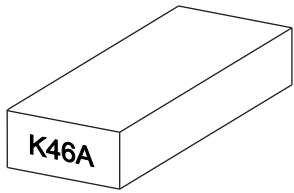

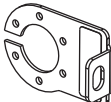

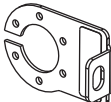

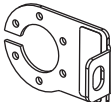
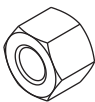


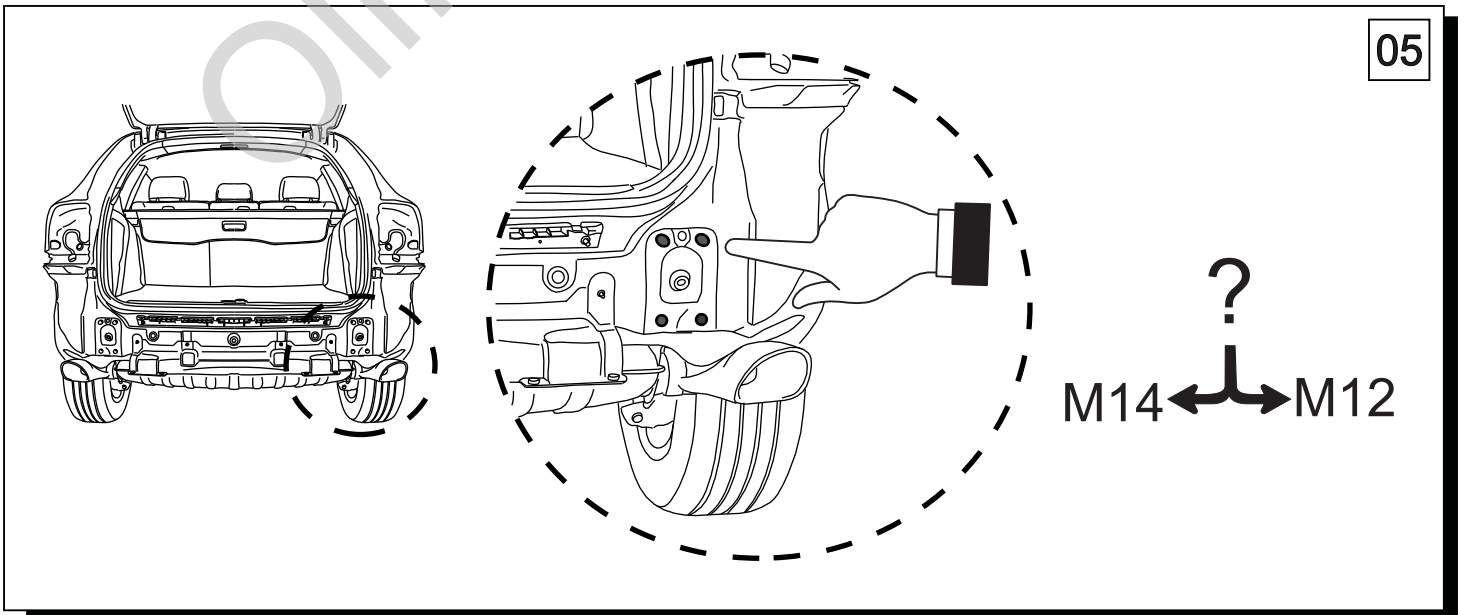
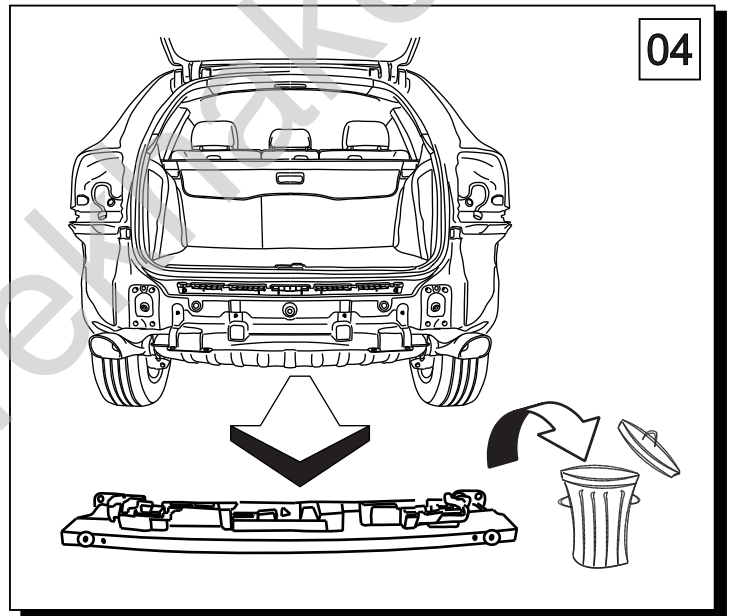
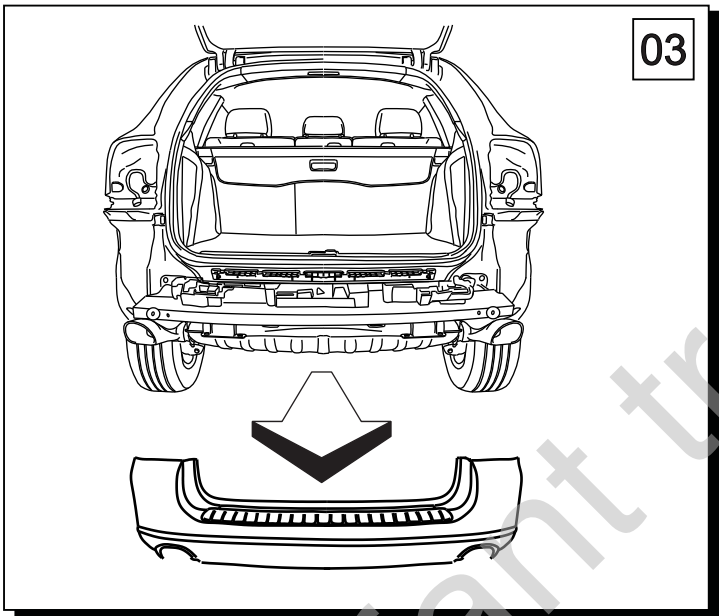
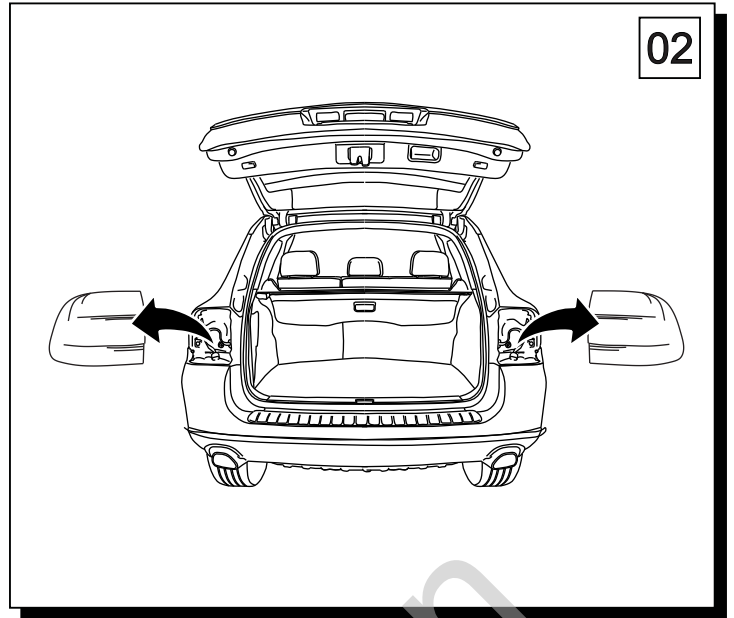
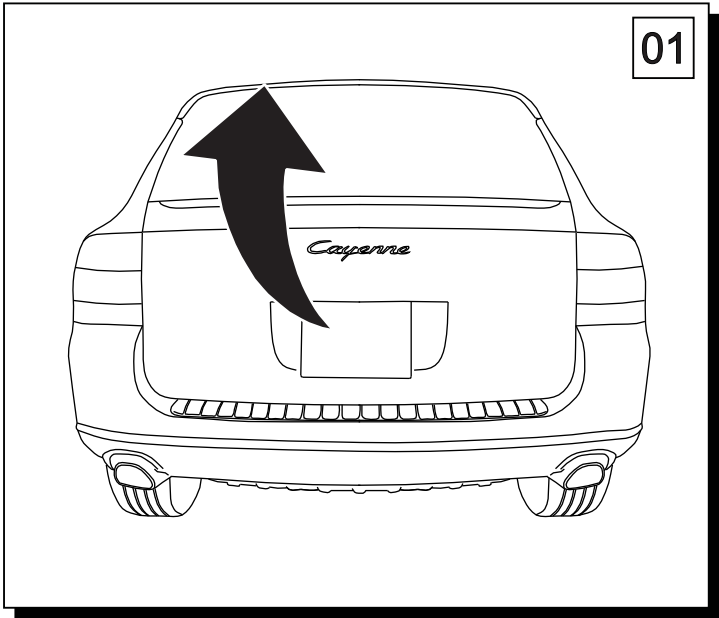
0 km →

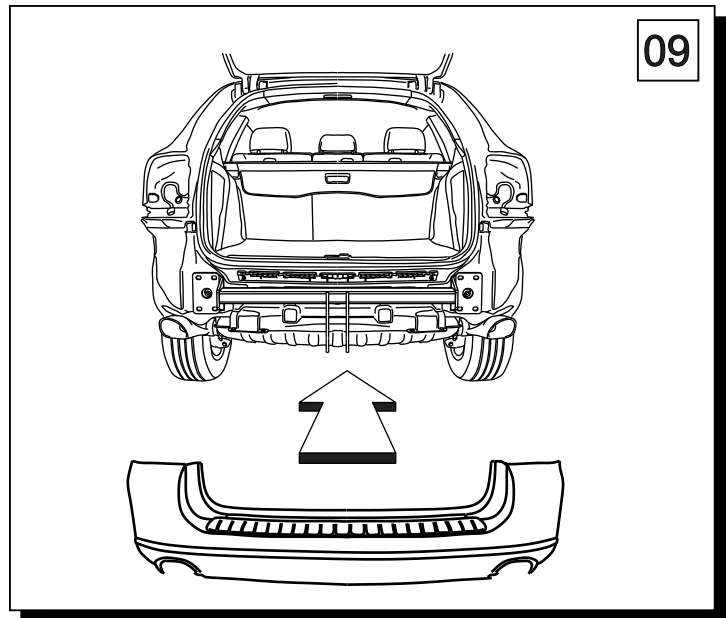
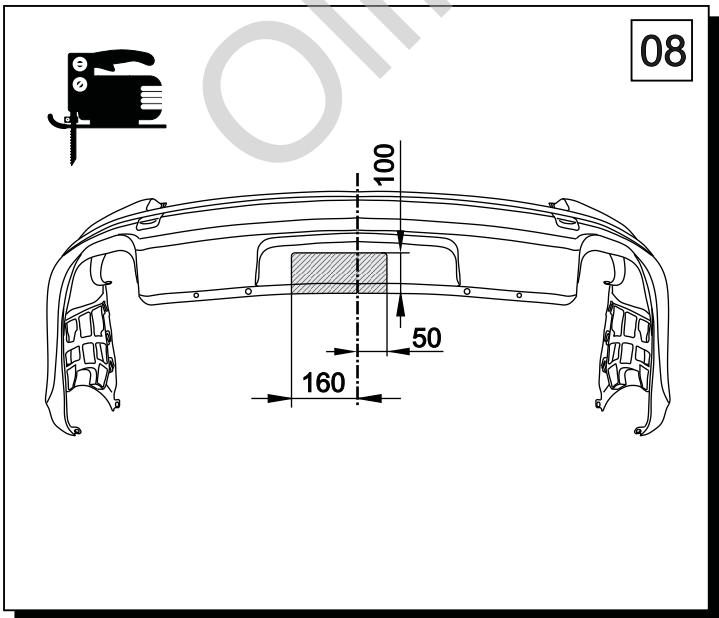
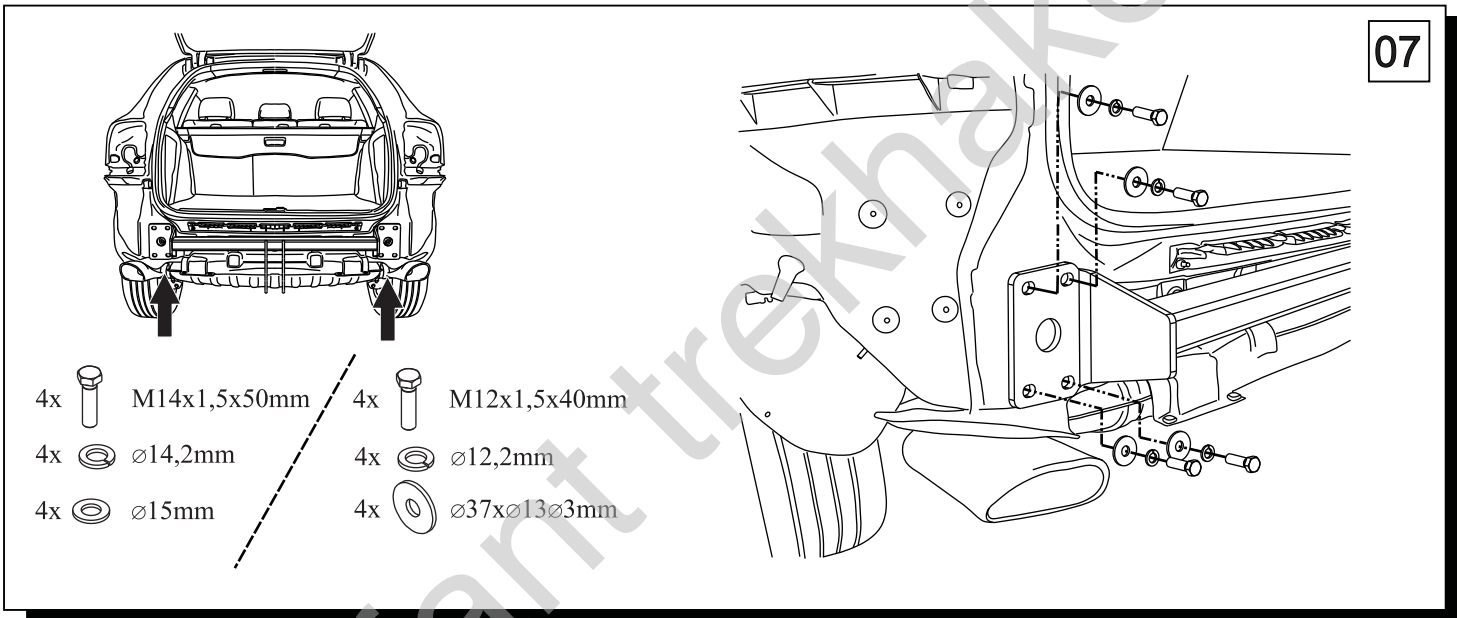
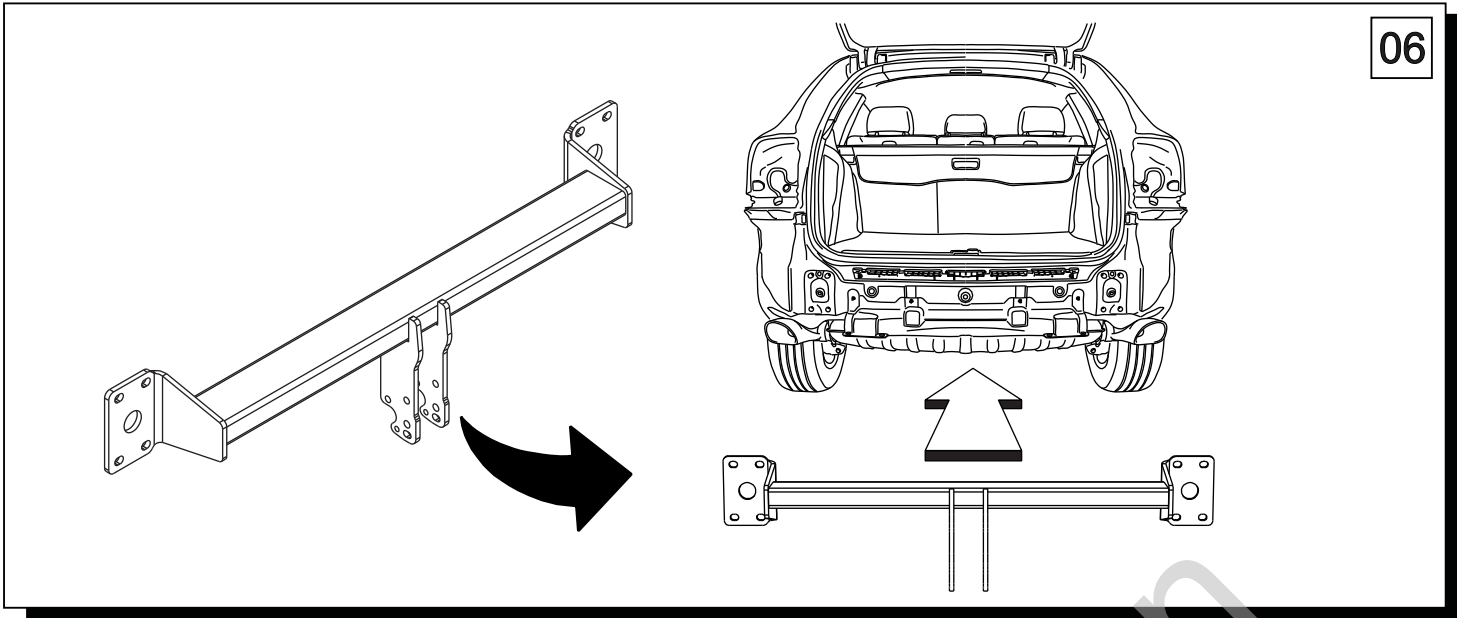


1000 km

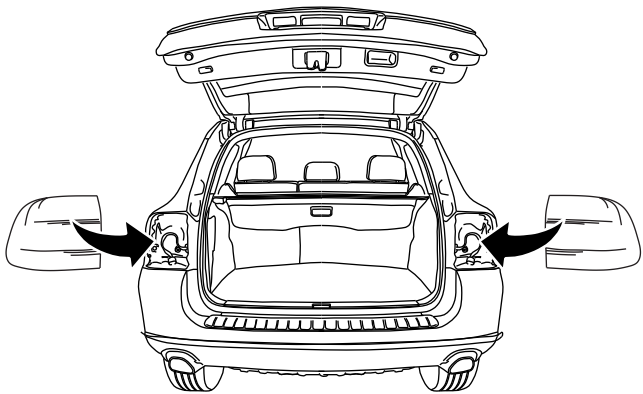


1		x1		4	M14x1,5x50	x8
				5	M12x1,5x40	x8
2		x1		6	M10x30	x1
				7	ø 15	x8
3		x1		8	ø 37xø13x3 13 DIN 9021	8
				9	ø 10,5	x1
3		x1		10	ø 14.2	x8
				11	ø 12.2	x8
3		x1		12	ø 10.2	x1
				13	M10	x1

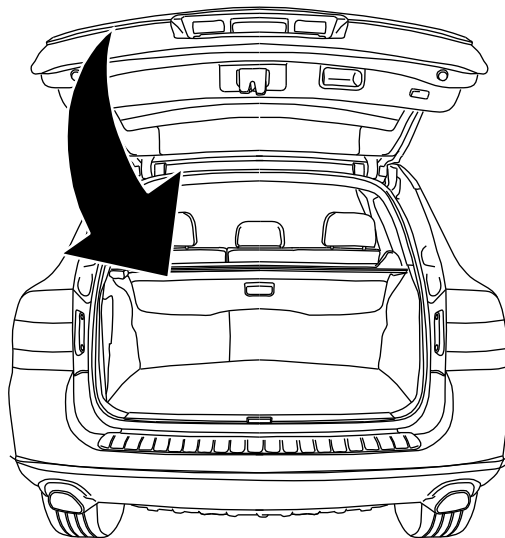




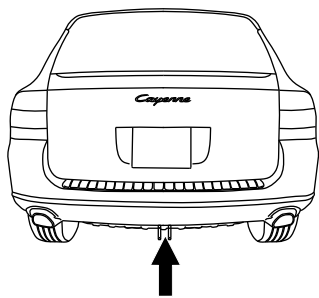
10






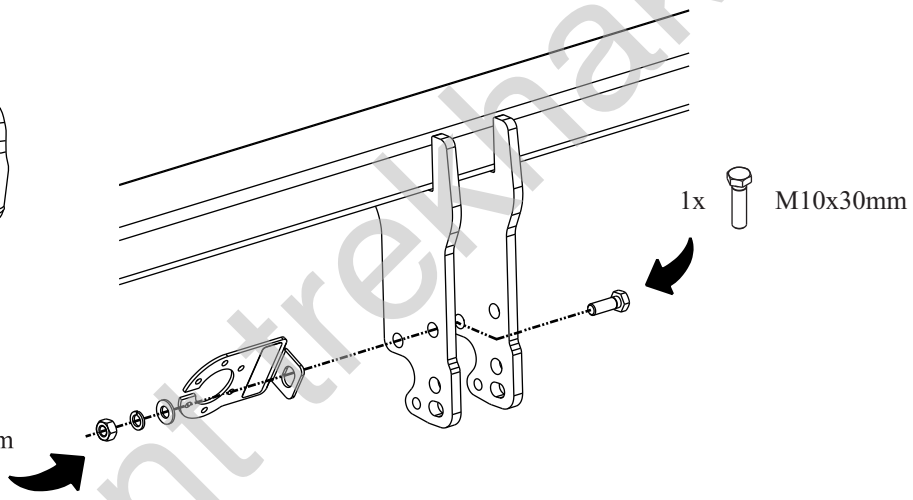
11



12



- 1x  $\varnothing 10\text{mm}$
- 1x  $\varnothing 10,2\text{mm}$
- 1x  M10



13

