

AUTO-HAK Sp. z o.o.

ul. Słoneczna 16K 76-200 SŁUPSK
POLAND

tel/fax +48 59 8 414 414; +48 59 8 414 413

e-mail: office@autohak.com.pl

www.autohak.com.pl





AUTO-HAK

VOLKSWAGEN CADDY osobowy, dostawczy (+MAXI), ~~4 Motion, CNG~~


Nr kat.


K45A

 02.2004 → 06.2015
07.2015 → 08.2020

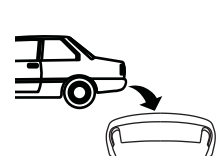
 E20-55R-01 1512

D 9,4 kN

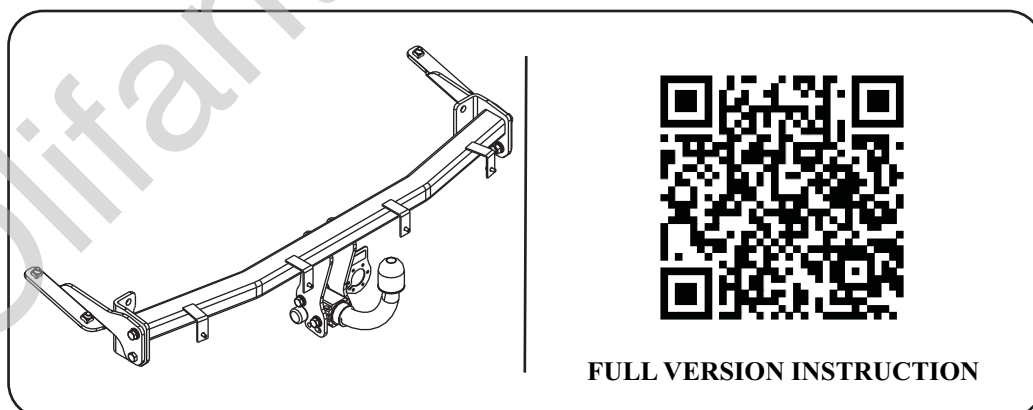
 **R=1650 kg**

 **S=80 kg**

 **1,5h**






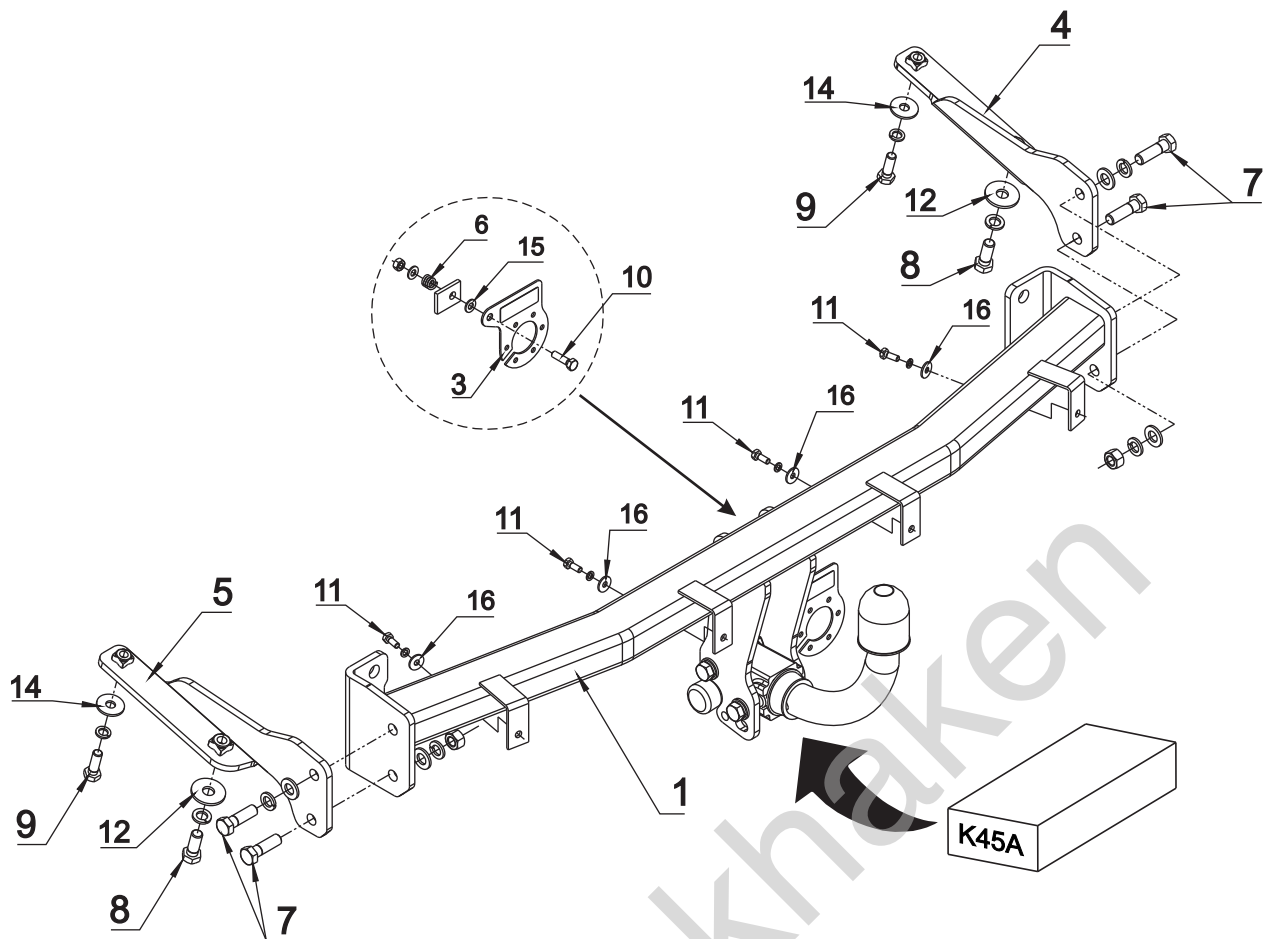


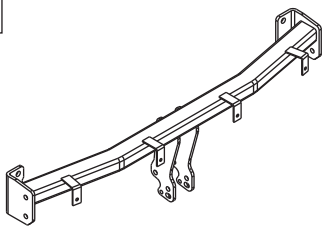

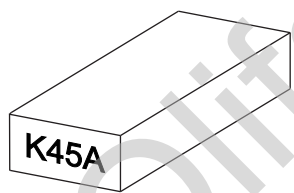

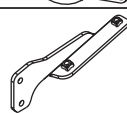

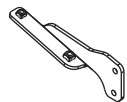

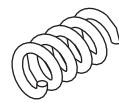
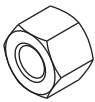
FULL VERSION INSTRUCTION



śruba	Nm	M6	M8	M10	M12	M14	M16
klasa 8.8		9,9	24	48	83	132	200
klasa 10.9		14	34	67	117	185	285

 0 km →  1000 km



1 	x1		7 M12x40	x4
			8 M12x30	x2
			9 M10x30	x2
			10 M8x45	x1
			11 M6x15	x4
2  Art.nr-KL1K45A	x1		12 \varnothing 37x \varnothing 13x3 13 (DIN 9021)	x2
			13 \varnothing 13	x4
			14 \varnothing 30x \varnothing 10.5x2.5 10 (DIN 9021)	x2
			15 \varnothing 8.4	x2
4 	x1		16 \varnothing 18x \varnothing 6.4x1.6 6 (DIN 9021)	x4
			17 \varnothing 12.2	x6
5 	x1		18 \varnothing 10.2	x2
			19 \varnothing 6.2	x4
6 	x1		20 M12	x2
			21 M8	x1

