

AUTO-HAK Sp. z o.o.

ul. Słoneczna 16K 76-200 SŁUPSK
POLAND

tel/fax +48 59 8 414 414; +48 59 8 414 413

e-mail: office@autohak.com.pl

www.autohak.com.pl



AUTO-HAK

VOLKSWAGEN POLO 3/5D, (9N), ~~EUN~~

Nr kat.

K40A



11.2001 → 05.2005

06.2005 → 11.2009



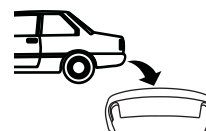
E20-55R-01 4587



2h

D

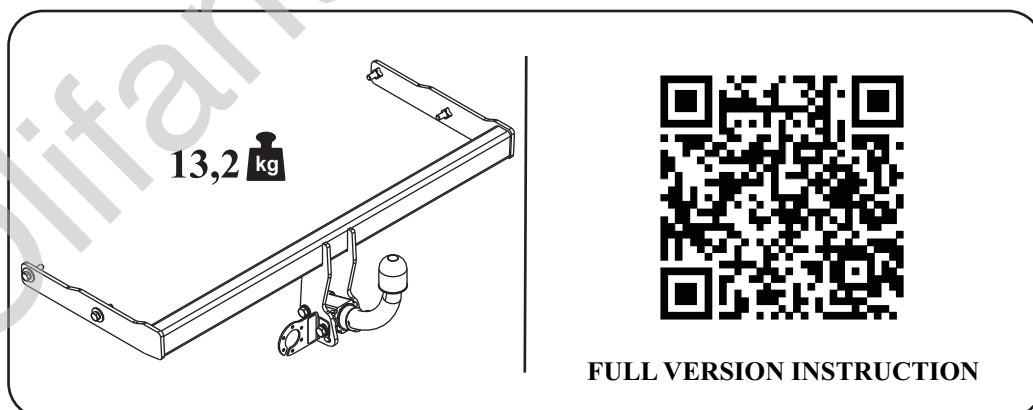
7,5 kN



R=1390 kg



S=60 kg

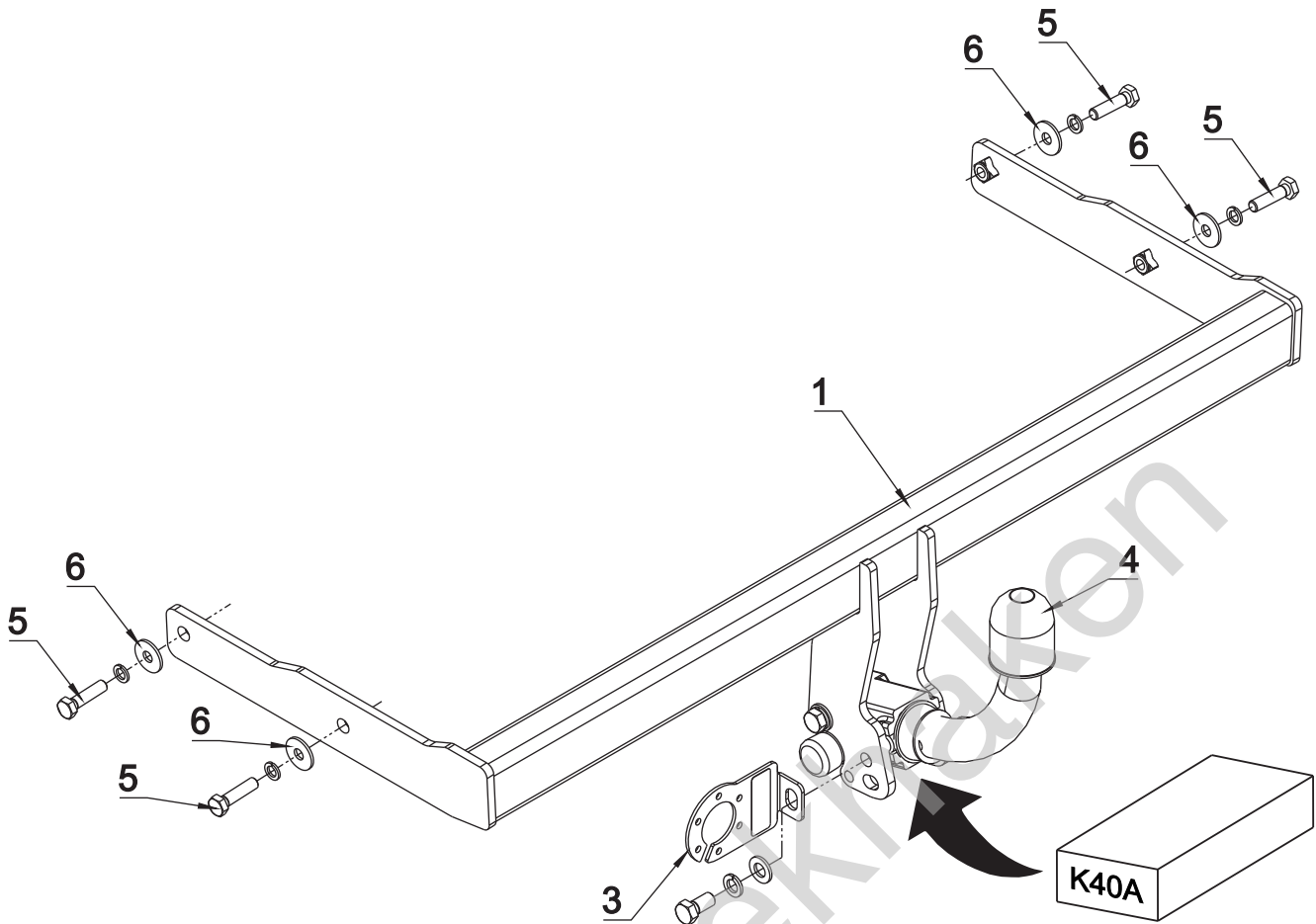


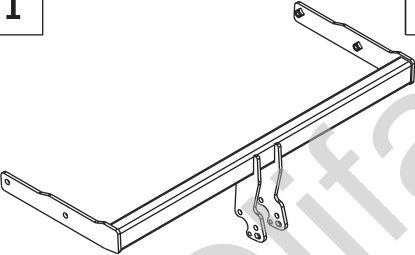
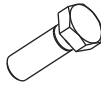
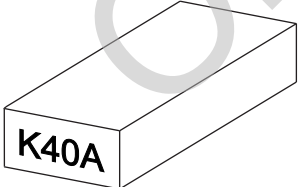

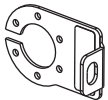


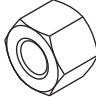
FULL VERSION INSTRUCTION

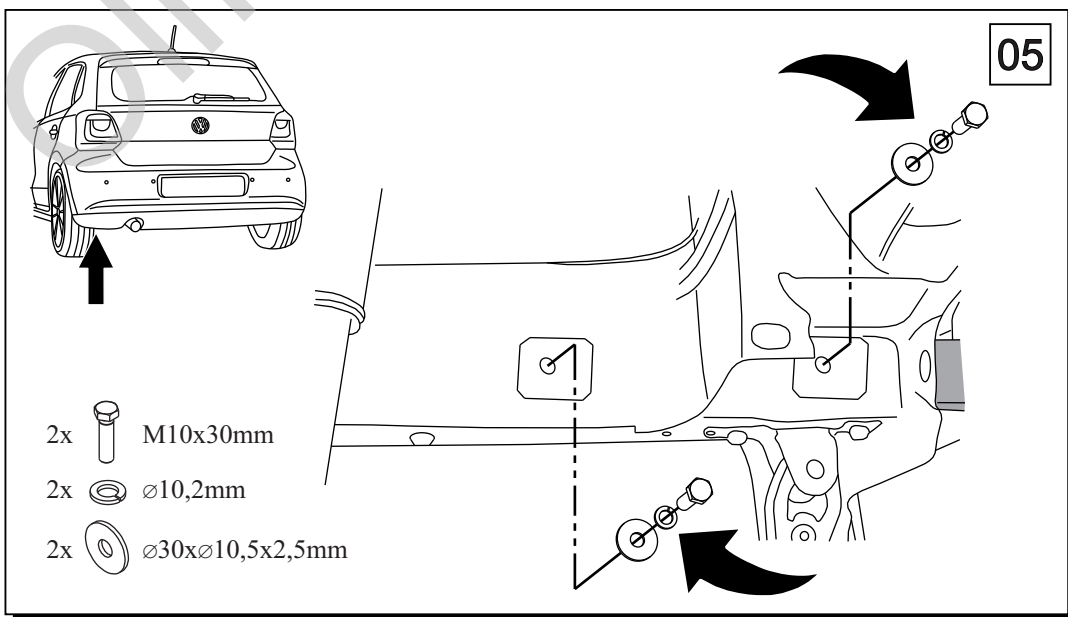
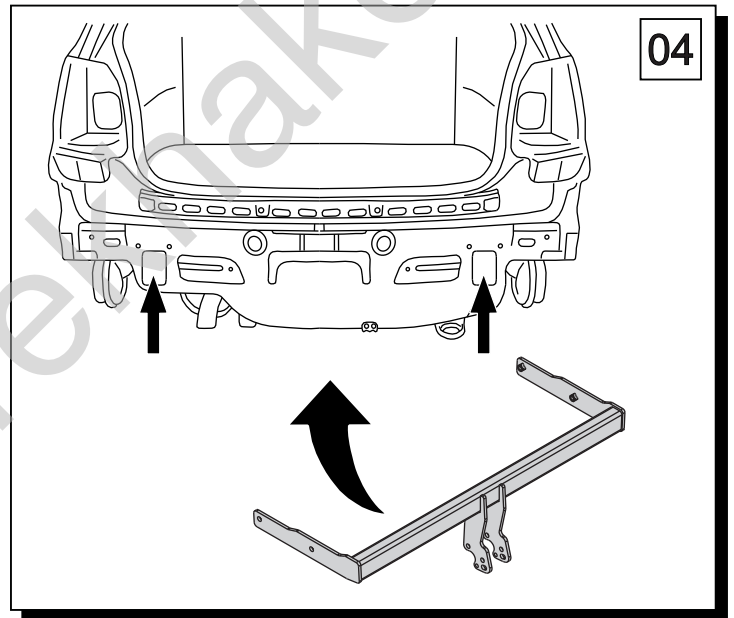
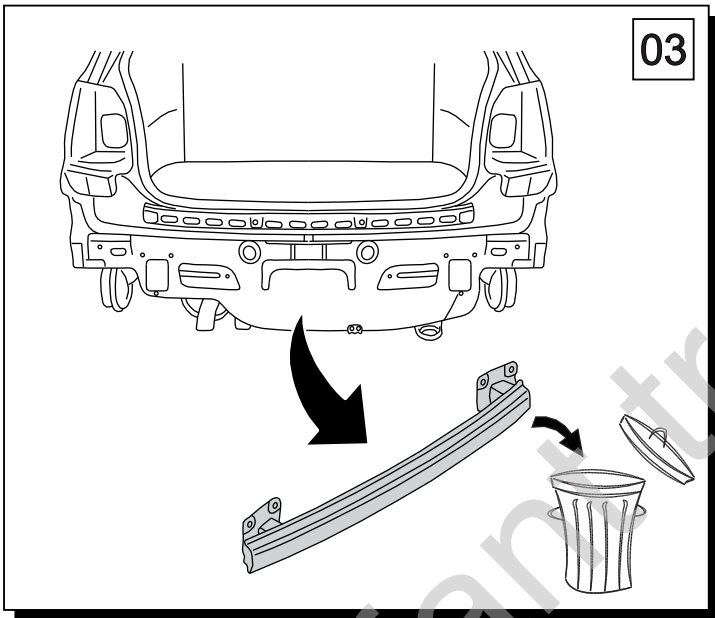
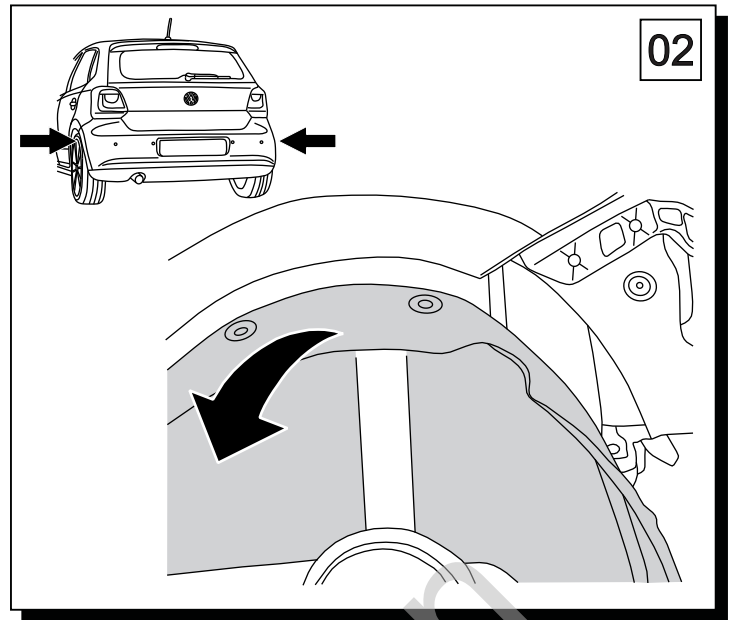
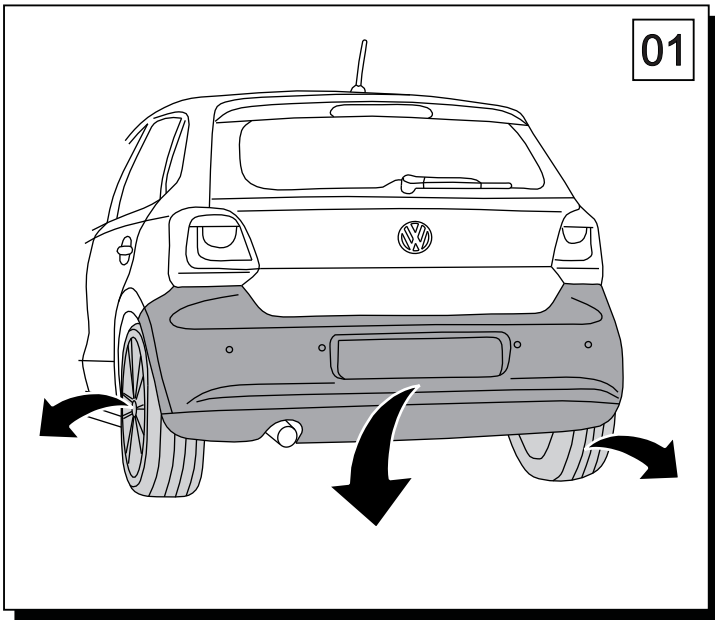


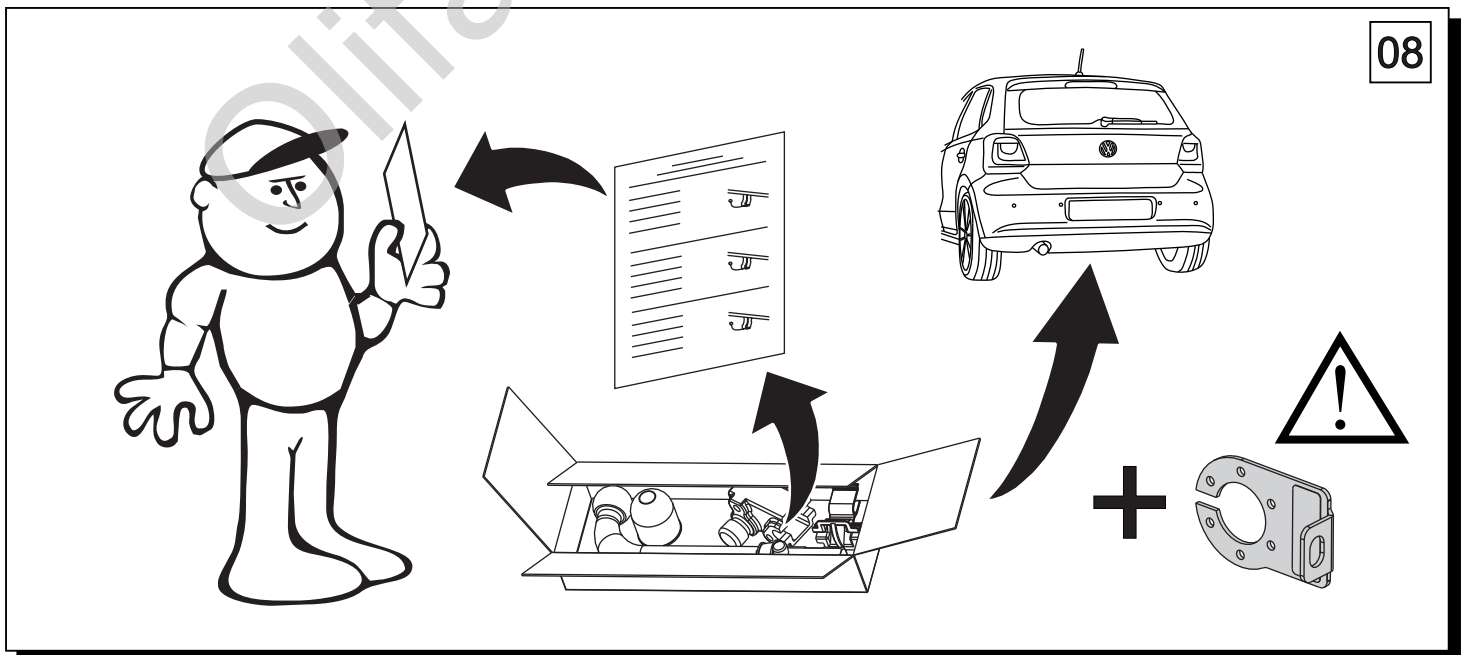
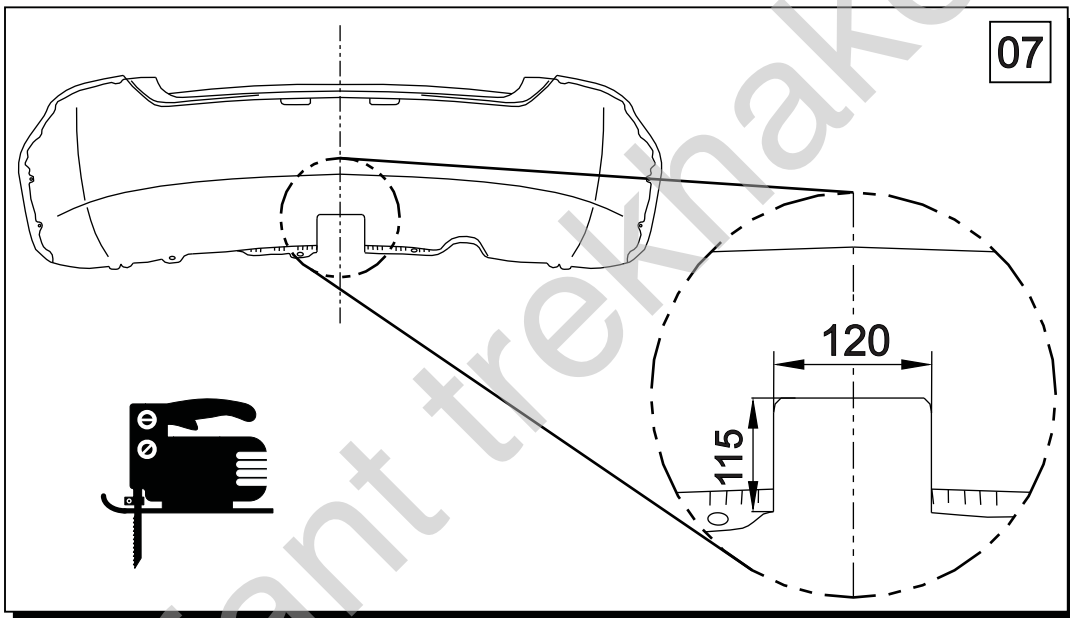
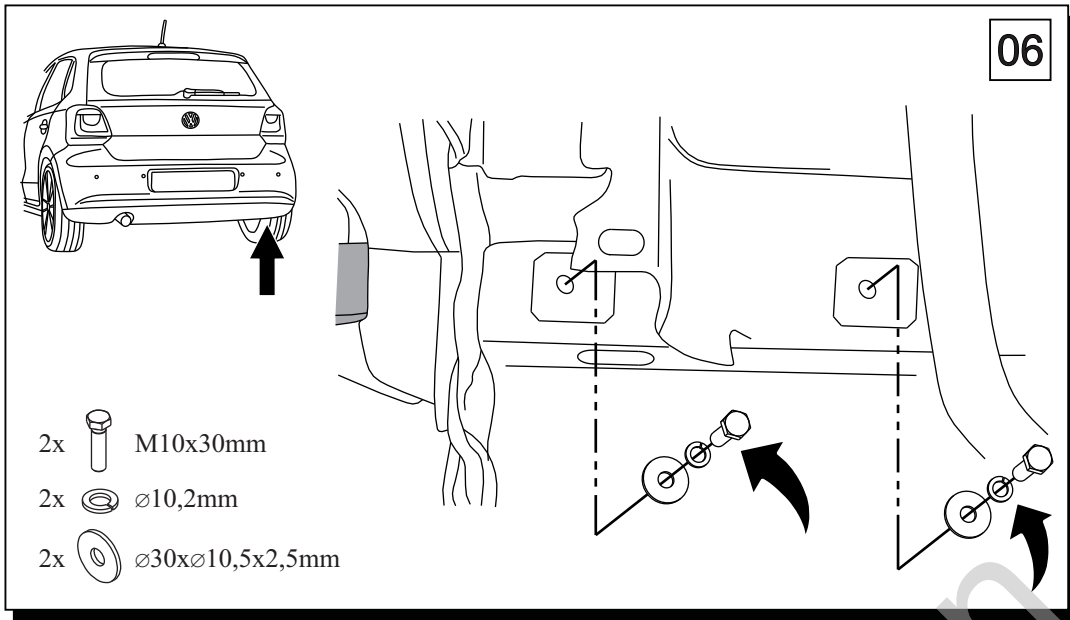
śruba	Nm	M6	M8	M10	M12	M14	M16
klasa 8.8		9,9	24	48	83	132	200
klasa 10.9		14	34	67	117	185	285

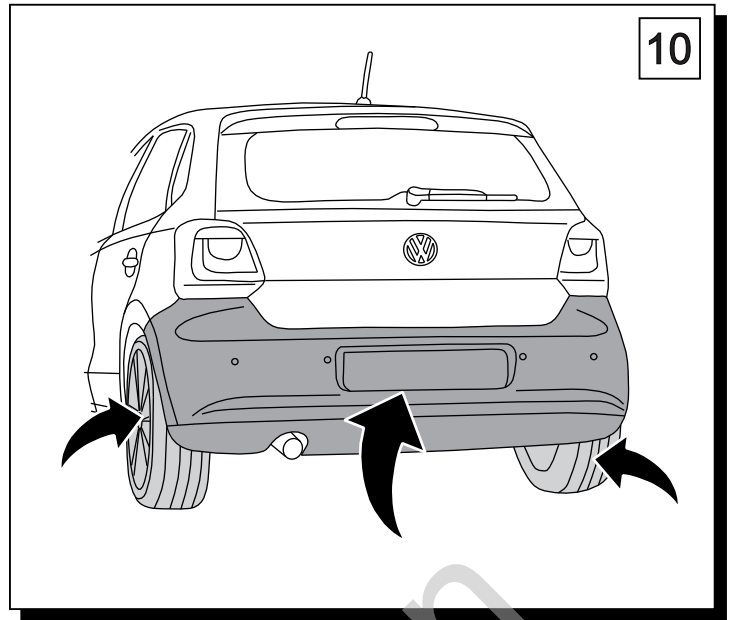
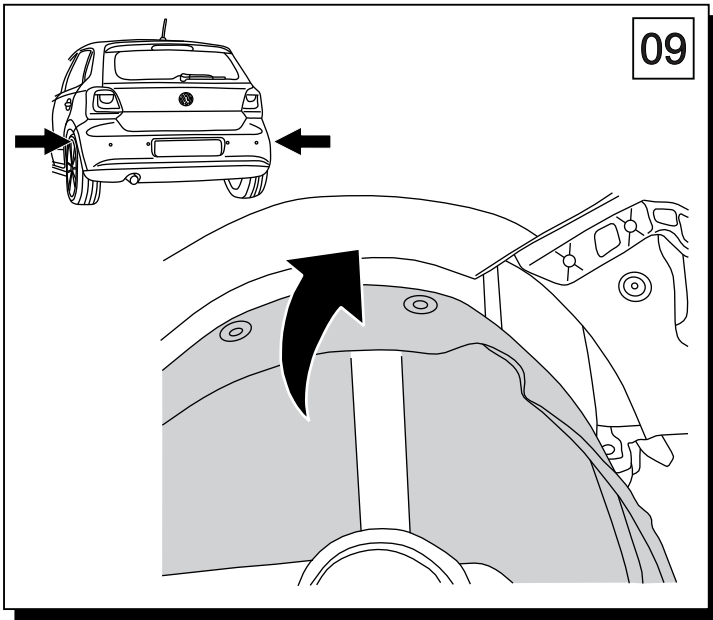
0 km → 1000 km



	x 1 Art.nr-KL1K40A		5 M10x40	x 4
	x 1 Art.nr-KL1K40A		6 $\varnothing 30 \times \varnothing 10.5 \times 2.5$ 10 (DIN 9021)	x 4
	x 1 Art.nr-BL1K40A		7 $\varnothing 10.2$	x 4
	x 1		8 M12	x 2







Olifant trekhaken