

# PPUH AUTO-HAK Sp.J.

Henryk & Zbigniew Nejman  
ul. Słoneczna 16K 76-200 SŁUPSK  
POLAND

tel/fax +48 059 8-414-414; 8-414-413

e-mail: [office@autohak.com.pl](mailto:office@autohak.com.pl)

[www.autohak.com.pl](http://www.autohak.com.pl)



# AUTO-HAK



## VOLKSWAGEN

Cat. no:

**K34A**

**PASSAT B5**

4D., (3B), ~~4 Motion~~

- 10.1996 → 09.2000

**PASSAT B5**

4D., (3BG), ~~4 Motion~~

- 10.2000 → 02.2005

**PASSAT B5 VARIANT**

KOMBI, (3B), ~~4 Motion~~

- 05.1997 → 09.2000

**PASSAT B5 VARIANT**

KOMBI, (3BG), ~~4 Motion~~

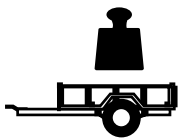
- 10.2000 → 08.2005



E20-55R-01 3994

**D**

10,2 kN



R=2000 kg




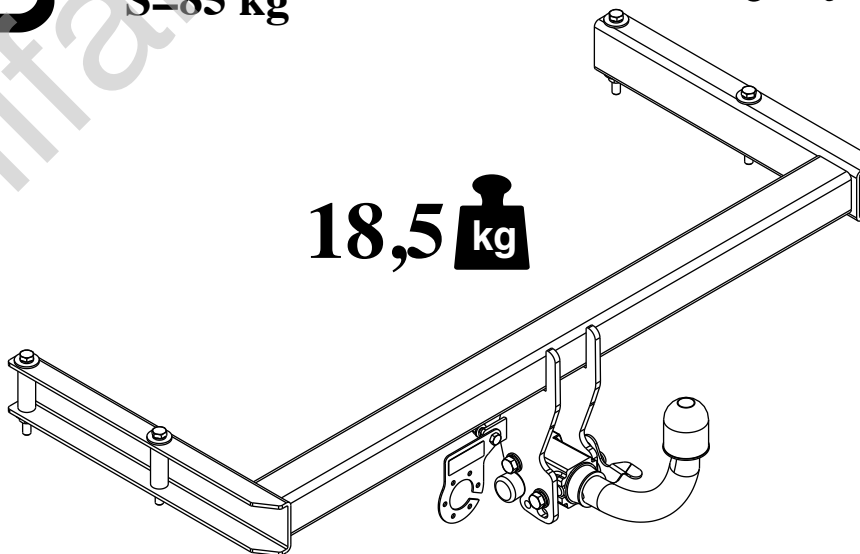
S=85 kg

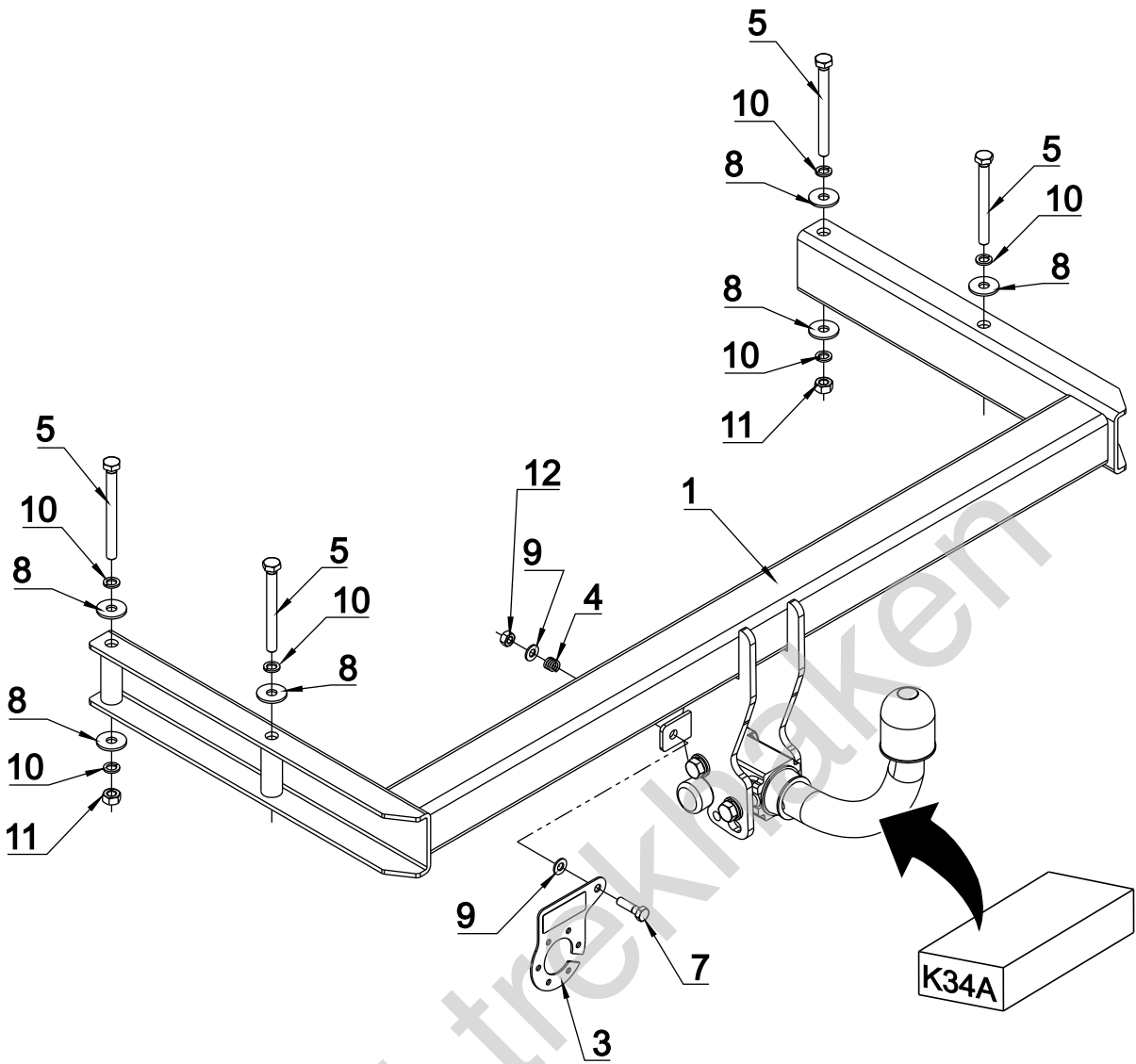


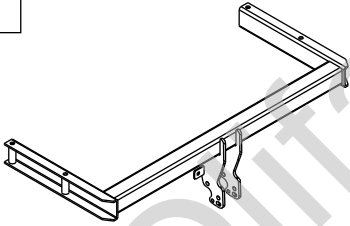
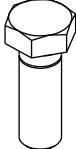
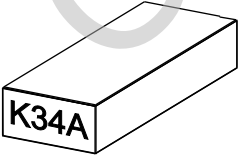
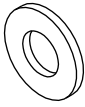
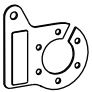

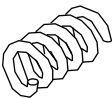
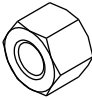
1,5h

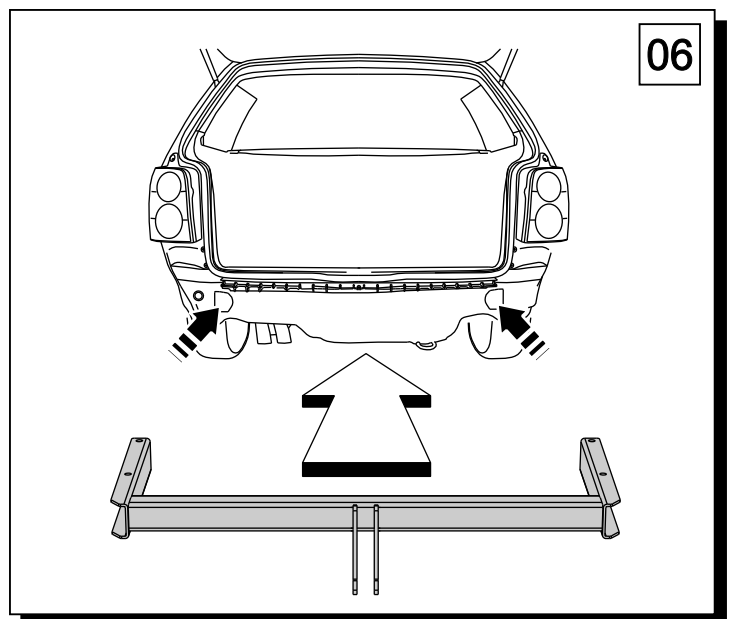
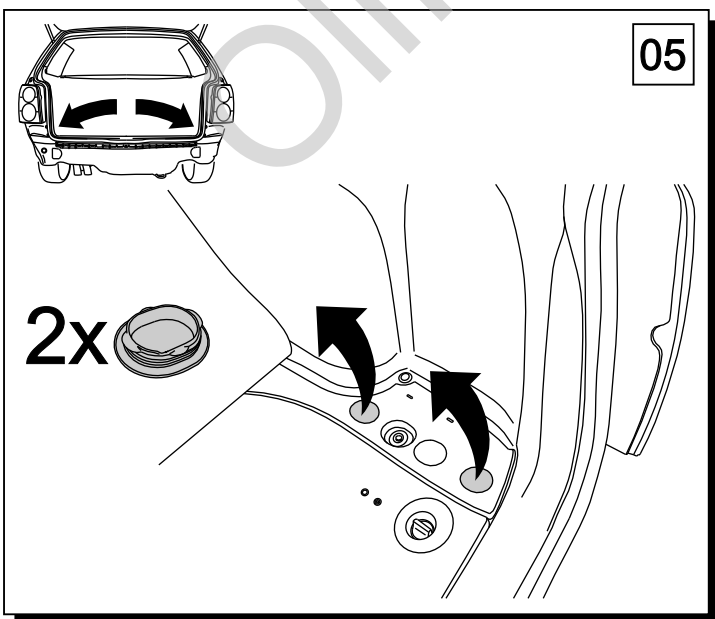
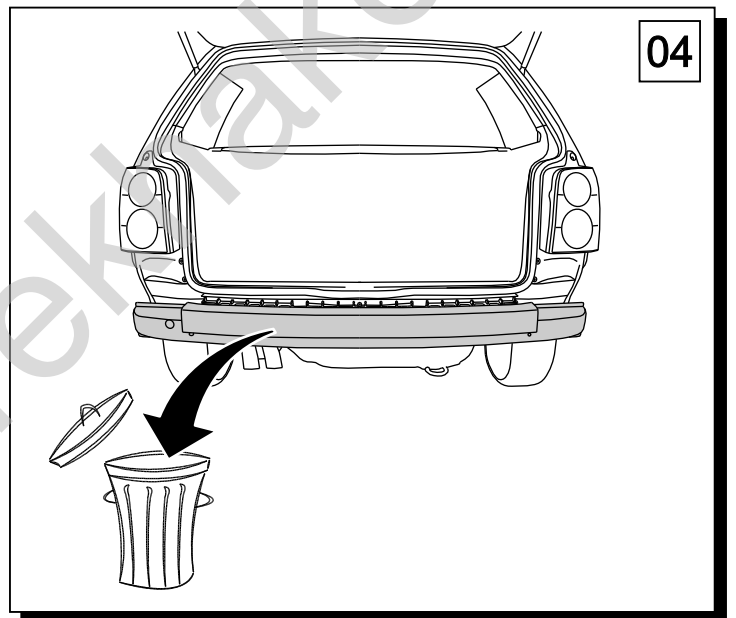
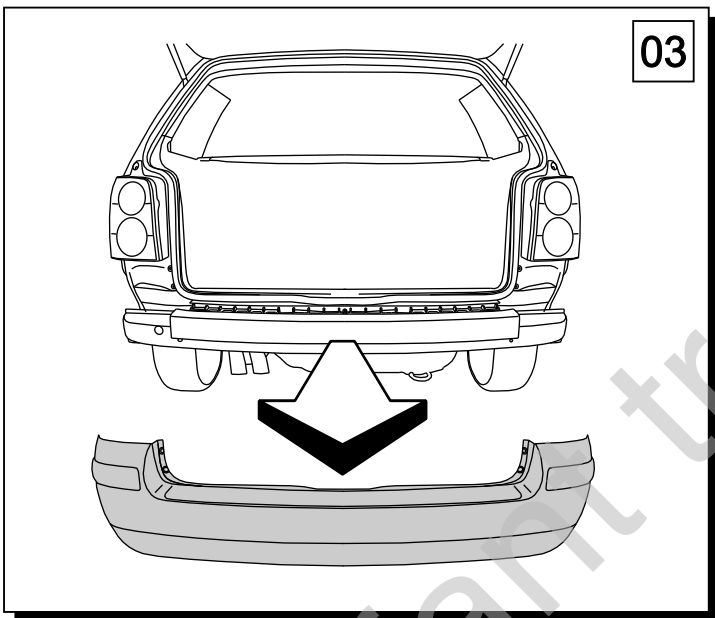
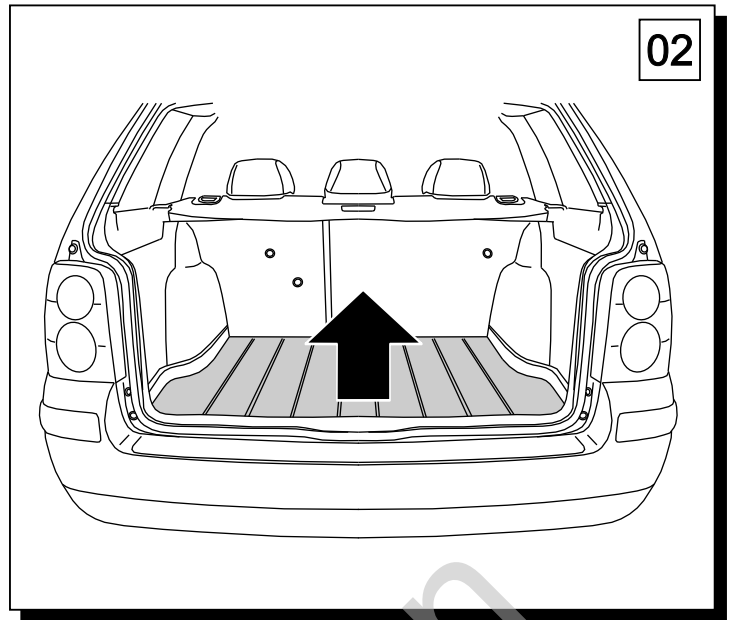
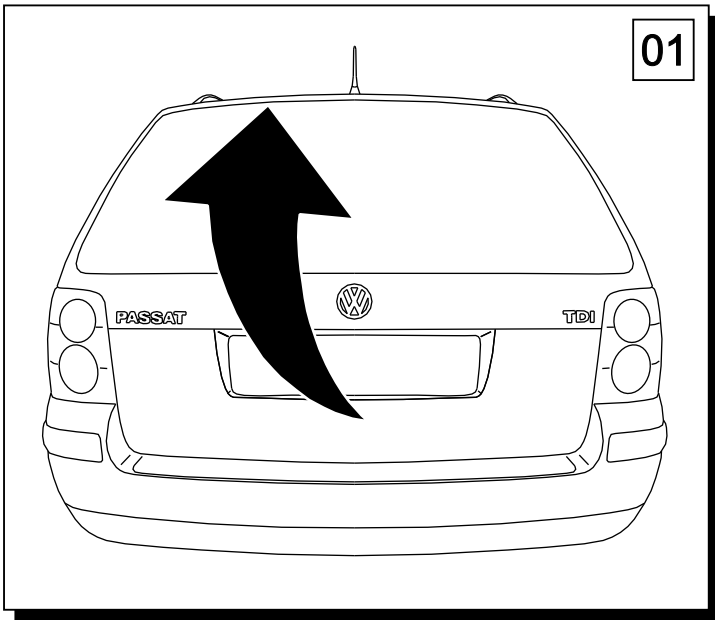


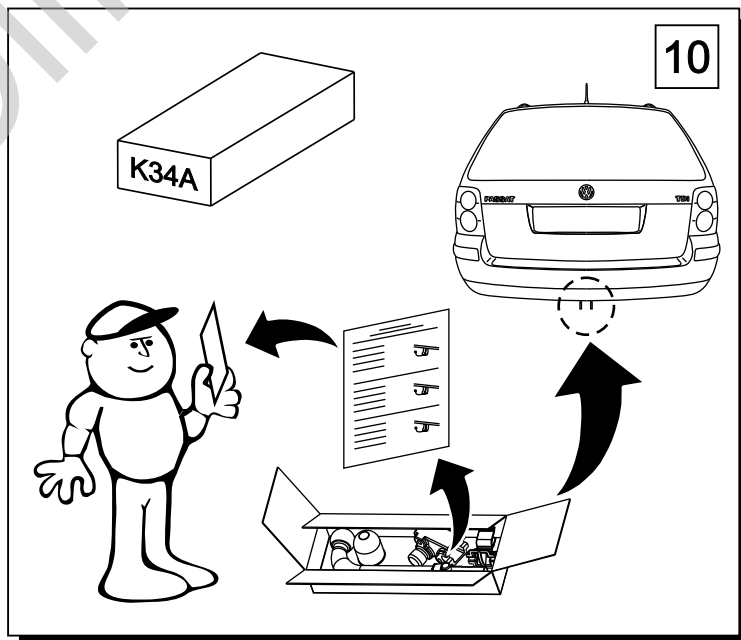
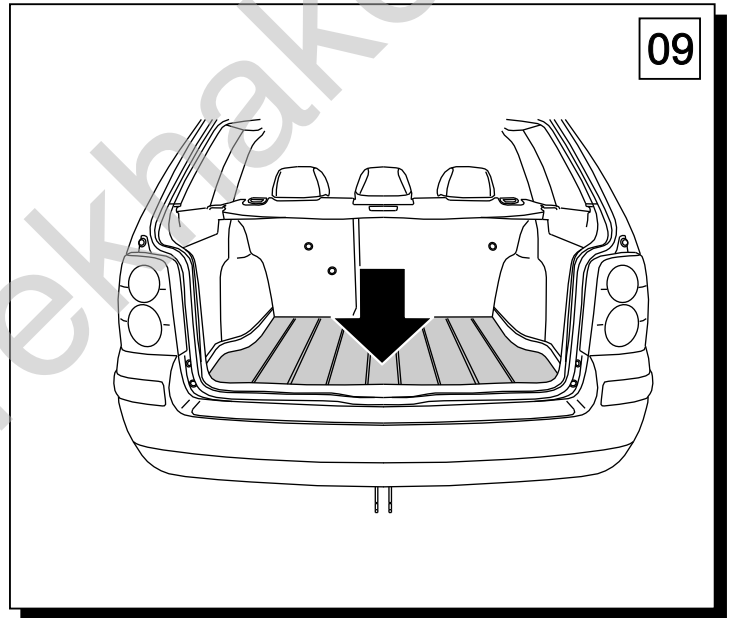
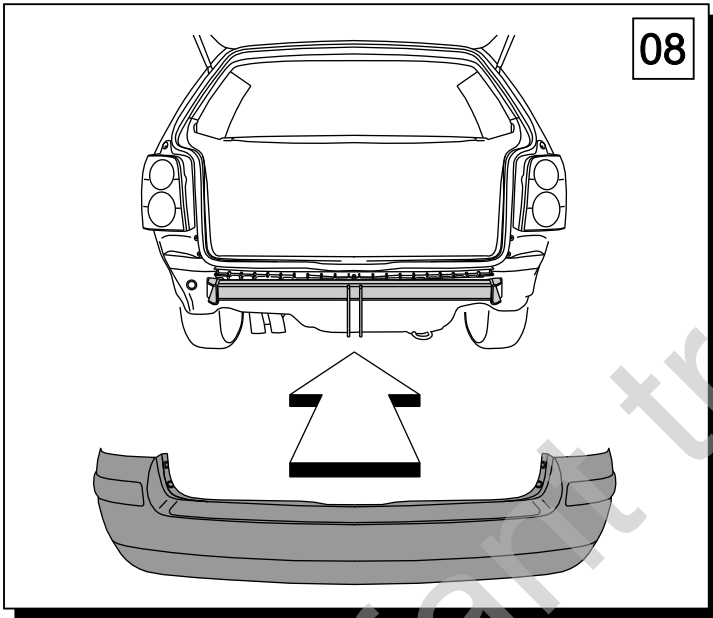
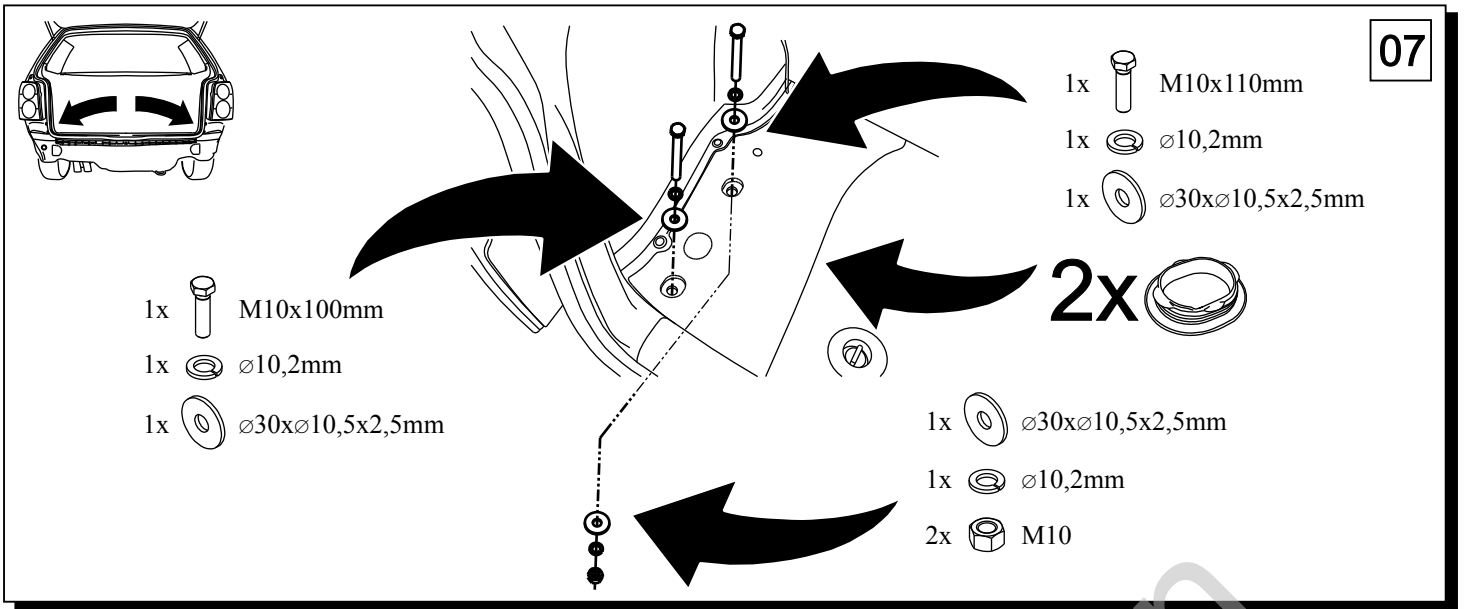
18,5  kg



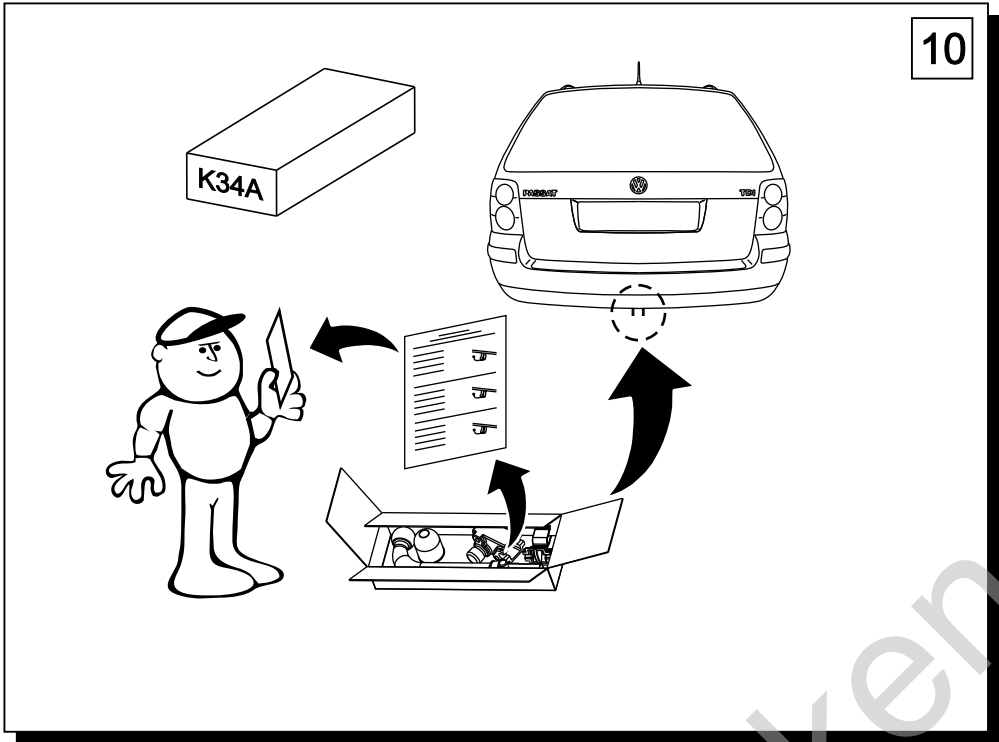


1		x 1		5	M 10x110	x 2
				6	M 10x100	x 2
2		x 1		7	M 8x45	x 1
				8	$\varnothing$ 30x $\varnothing$ 10.5x2.5 10 (DIN 9021)	x 6
3		x 1		9	$\varnothing$ 8.3	x 2
				10	$\varnothing$ 10.2	x 6
4		x 1		11	M 10	x 2
				12	M 8	x 1
					Art. nr-KL1K34A	
					Art. nr-BL1K34A	

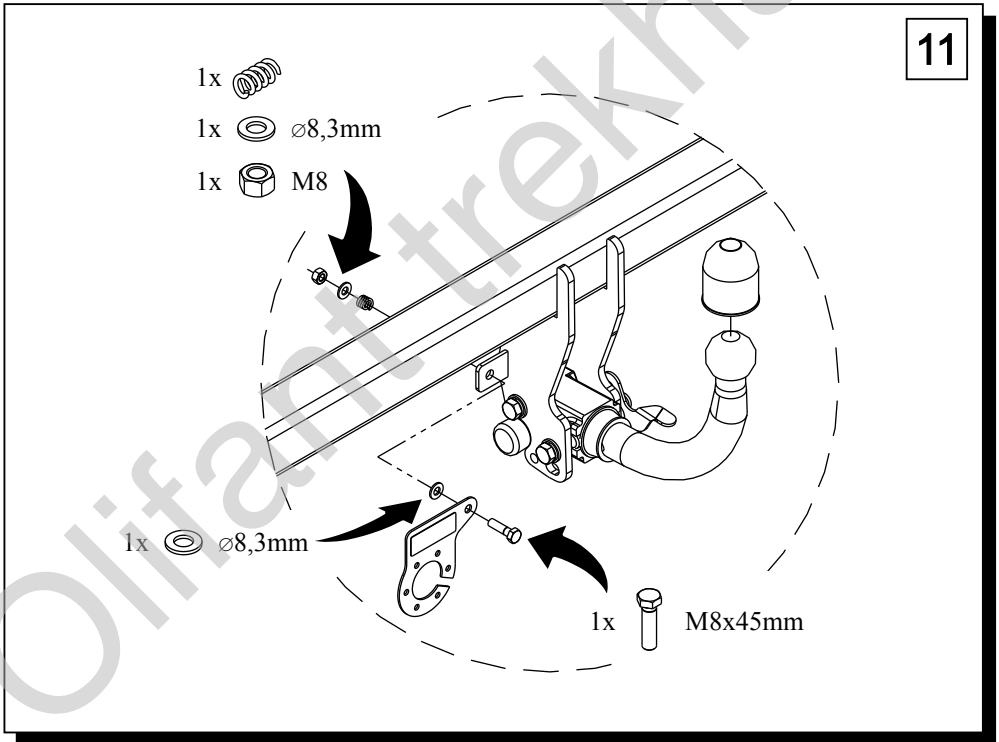




10



11



**M6** - 11 Nm  
**M10** - 50 Nm  
**M14** - 138 Nm

**M8** - 25 Nm  
**M12** - 87 Nm  
**M16** - 210 Nm

0 km → 1000 km