

FITTING INSTRUCTION

Clamp mark in acc. with		Cables joining
ISO	PN	
1	L	Left directional lights
2	+	Rear fog lights
3	31	Ground
4	R	Right directional lights
5	58R	Right side parking lights
6	54	Stoplights
7	58L	Left side parking lights

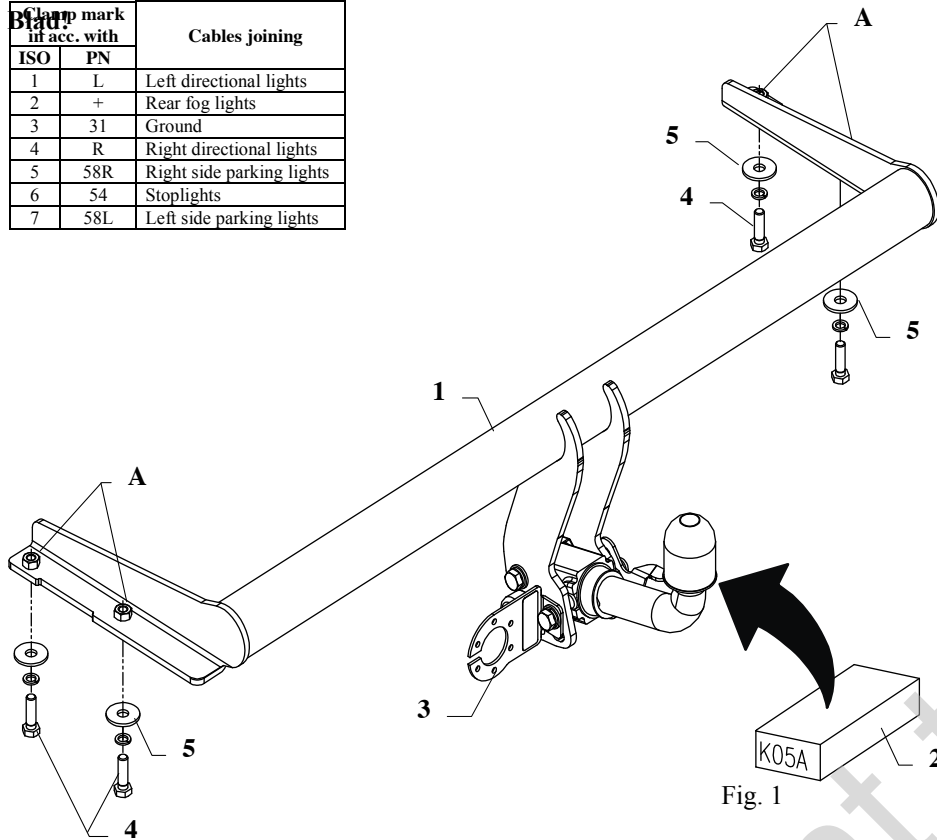


Fig. 1

This towing hitch is designed to assembly in following car:
VOLKSWAGEN GOLF III, 3/5 doors, Cabrio produced since 10.1991 till 07.1997, catalogue no. **K05A** and is prepared to tow trailers max total weight **1500 kg** and max vertical load **75 kg**.

From manufacturer

Thank you for buying our product. Their reliability has been confirmed in many tests. Reliability of towing hitch depends also on correct assembly and right operation. For this reasons we kindly ask to read carefully this instruction and apply to hints.

The towing hitch should be install in points described by a car producer.

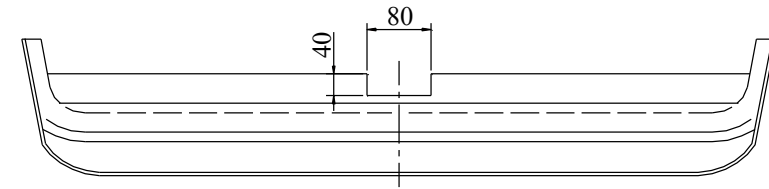


Fig. 2

The instruction of the assembly

1. Disassemble the rear bumper and plugs of chassis members (left and right side).
2. Slip the main bar of the towing hitch (pos. 1) into chassis members and through its holes and holes in towing hitch (pos. A) screw them using bolts M10x30mm (pos. 4) from accessories. Use washers (pos. 5).
3. After cut off fragment the bumper (80x40mm as shown in the fig. 2) assemble it.
4. Fix body of the automat and place tow-ball according to supplied instruction. Note! Remember to place socket plate (pos. 3) as shown on the drawing 1.
5. Screw all bolts according to the torque shown in the table.
6. Connect the electric wires according to the instruction of the car. (Recommended to make at service station).
7. Supplement the paint coating damaged during installation.

Torque settings for nuts and bolts (8,8):

M 8 - 25 Nm

M 10 - 55 Nm

M 12 - 85 Nm

M 14 - 135 Nm

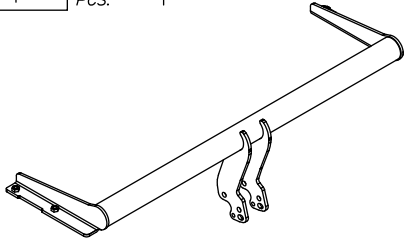
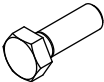

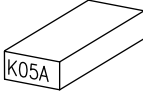

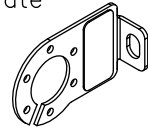
NOTE

After install the towing hitch you should get adequate note in registration book (at authorised service station). The car should be equipped with:

- Indicators
- Tow mirrors

After 1000km check all bolts and nuts. The ball of towing hitch must be always kept clear and conserve with a grease.

Towing hitch accessories:

Pos. 1	Name: Main bar PCS: 1	Pos. 4	Name: Bolt 8,8 B PCS: 4 Dim. : M10x35mm	
		Pos. 5	Name: Washer PCS: 4 Dim. : $\phi 35 \times \phi 12 \times 4$ mm	
Pos. 2	Tow ball (mounting set) PSC:1	Pos. 6	Name: Spring washer PCS: 4 Dim. : $\phi 10,2$ mm	
		Pos. 3		
Name: Socket plate PCS: 1				



PPUH AUTO-HAK S.J.

Produkcja Haków Holowniczych
Henryk & Zbigniew Nejman
76-200 SŁUPSK ul. Słoneczna 16K
tel/fax (059) 8-414-414; 8-414-413
E-mail: office@autohak.com.pl
www.autohak.com.pl

Towing hitch (without electrical set)

Class: **A50-X** Cat. no. **K05A**

Designed for:

Manufacturer: **VOLKSWAGEN**

Model: **GOLF III**

Type: **3/5 doors, Cabrio**

produced since 11.1991 till 07.1997

Technical data:

D-value: 8,2 kN

maximum trailer weight: **1500 kg**

maximum vertical cup load: **75 kg**

Approval number according to Directive 94/20/EC: e20*94/20*0409*00

Foreword

This towing hitch is designed according to rules of safety traffic regulations. The towing hitch is a safety component and can be install only by qualified personnel. Any alteration or conversion of the towing hitch is prohibited and would lead to cancellation of design certification. Remove insulating compound and underseal from vehicle (if present) in the area of the matting surfaces of the towing hitch. The vehicle manufacturer's specifications regarding trailer load and max. vertical cup load are decisive for driving, and values for the towing hitch cannot be exceeded.

D-value formula:

$$\frac{\text{Max trailer weight [kg]} \times \text{Max vehicle weight [kg]}}{\text{Max trailer weight [kg]} + \text{Max vehicle weight [kg]}} \times \frac{9,81}{1000} = D \text{ [kN]}$$