

AUTO-HAK Sp. z o.o.

ul. Słoneczna 16K 76-200 SŁUPSK
POLAND

tel/fax +48 59 8 414 414; +48 59 8 414 413

e-mail: office@autohak.com.pl

www.autohak.com.pl



AUTO-HAK

JEEP WRANGLER IV (JL) (+ AdBlue)

Cat. no:

JP14A



08.2018 →



E20-55R-01 5760



12,85 kN



R=2600 kg



S=140 kg



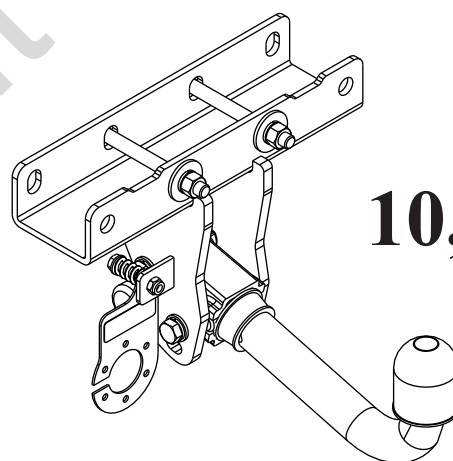
2h



-



-



10,5 kg



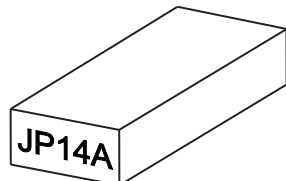
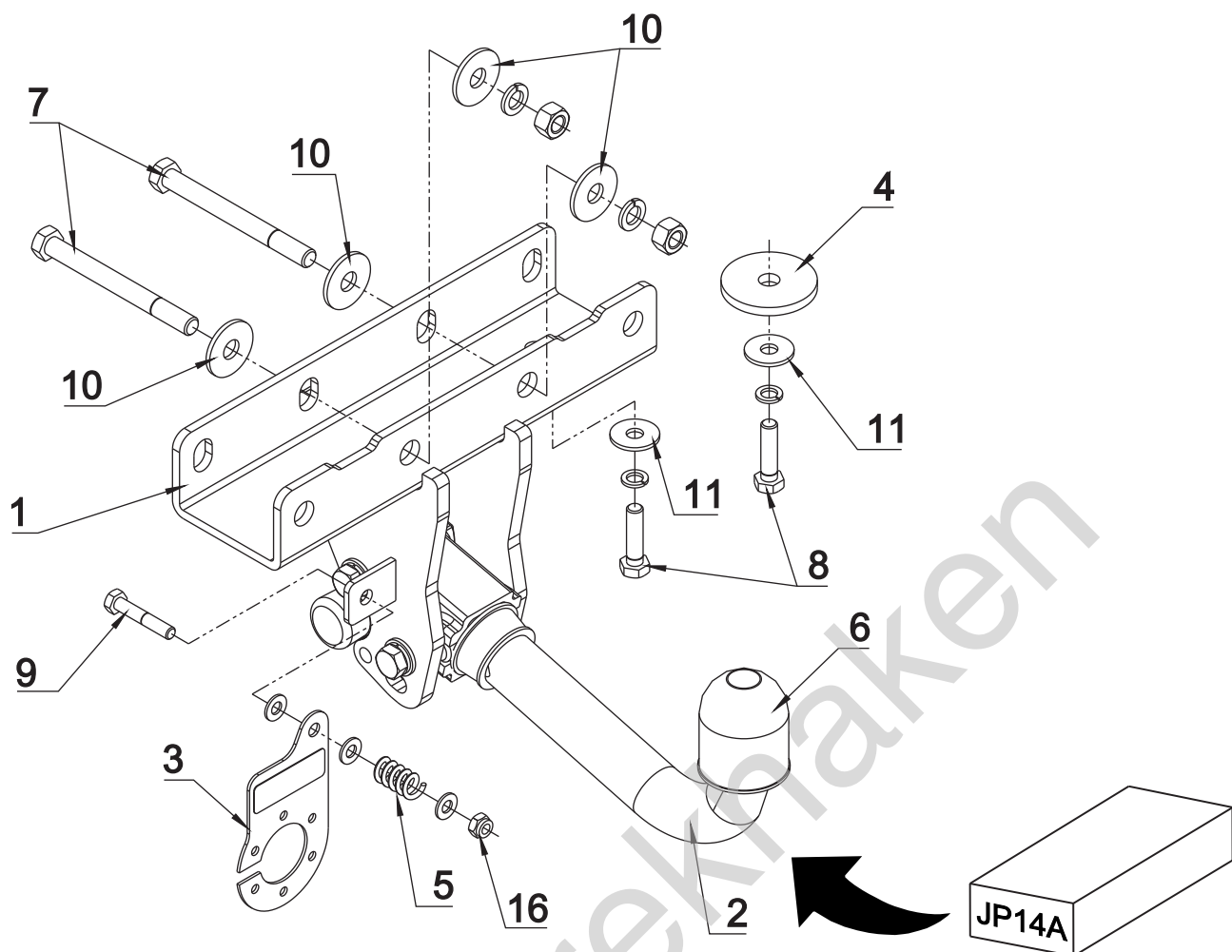
śruba	Nm	M6	M8	M10	M12	M14	M16
klasa 8.8		9,9	24	48	83	132	200
klasa 10.9		14	34	67	117	185	285

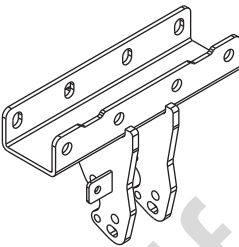

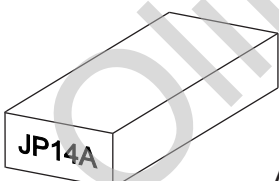

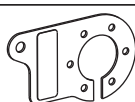


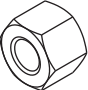





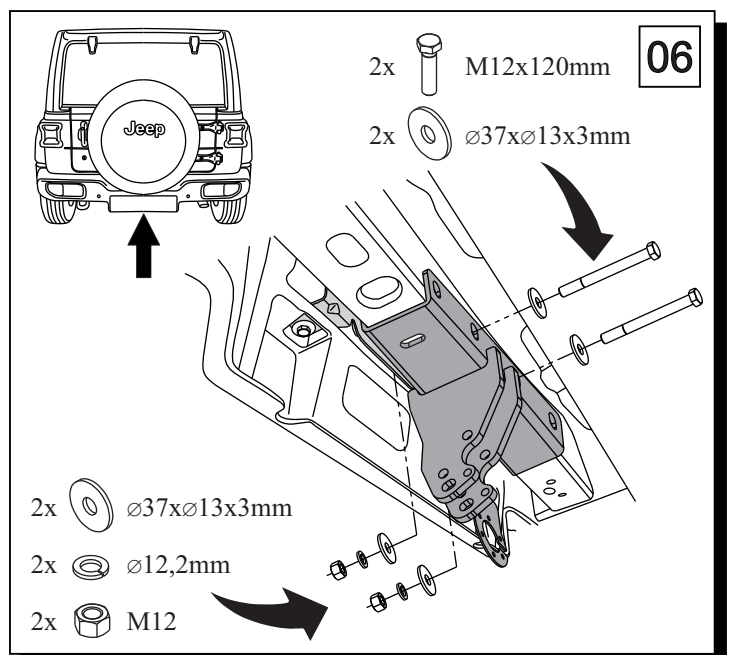
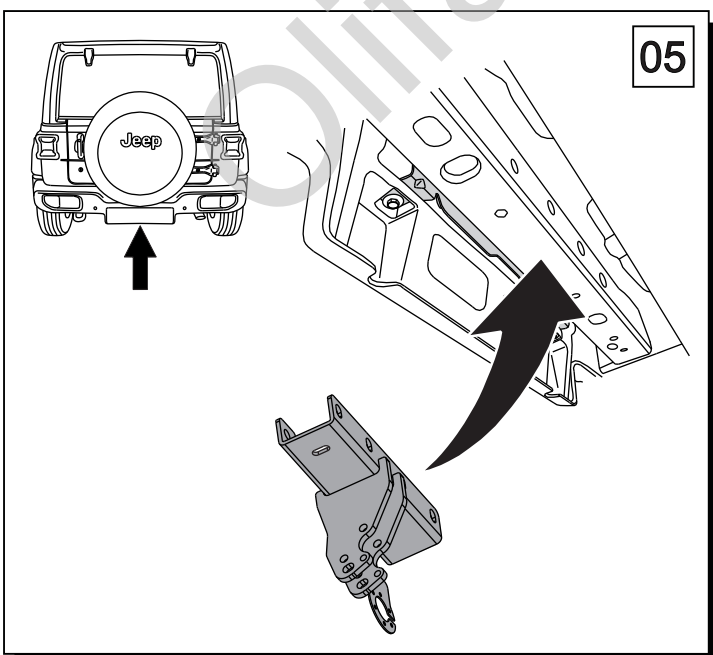
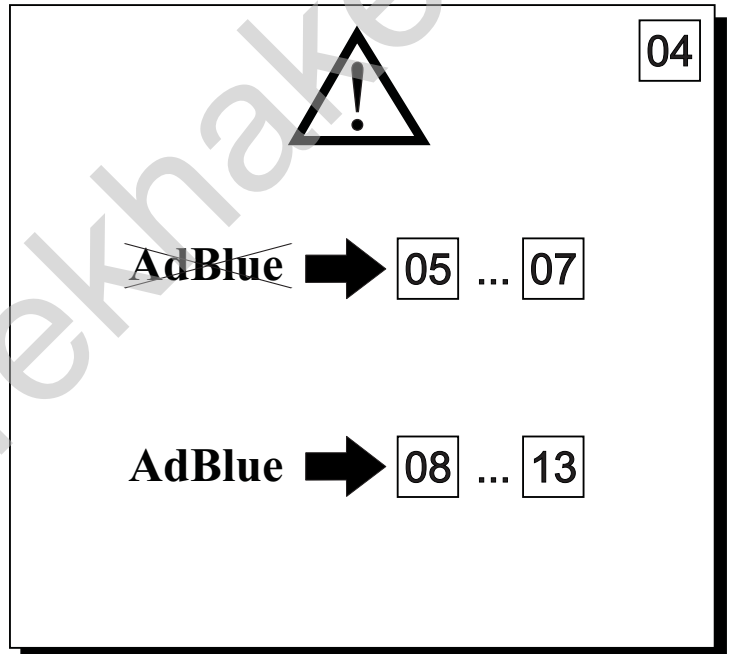
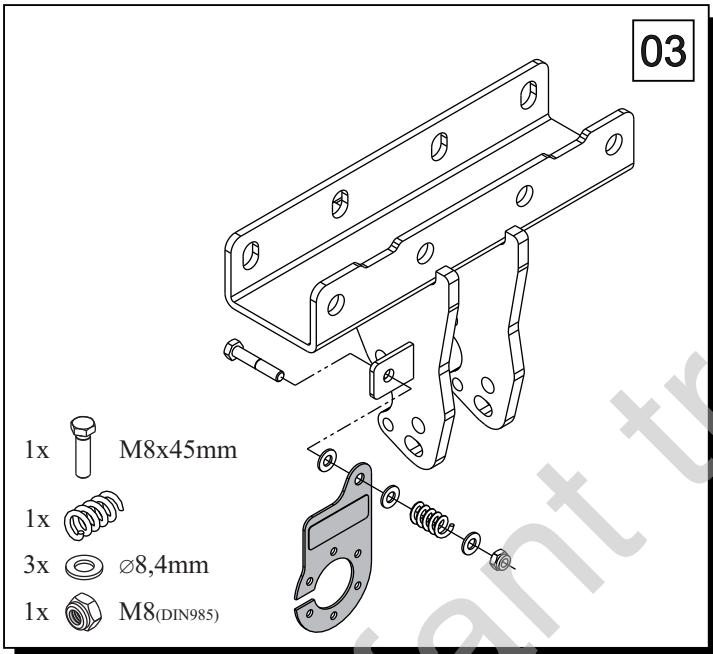
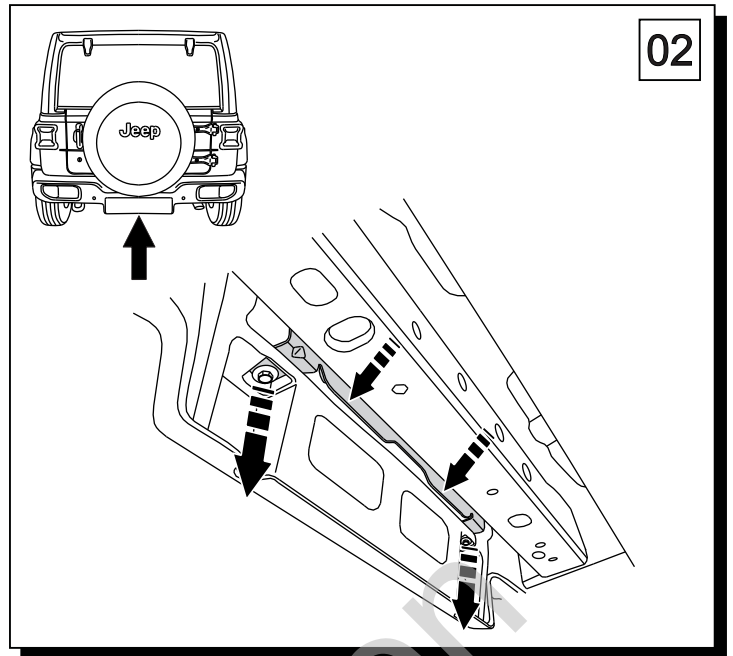
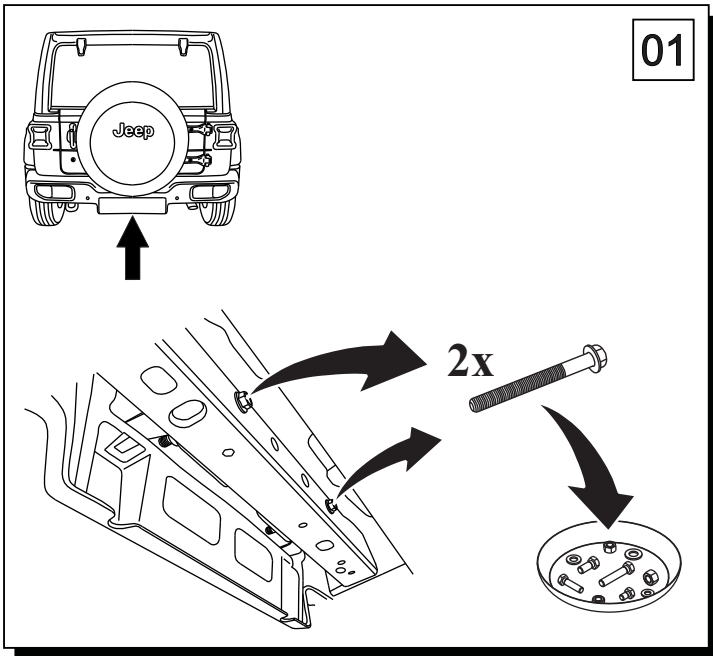
0 km →

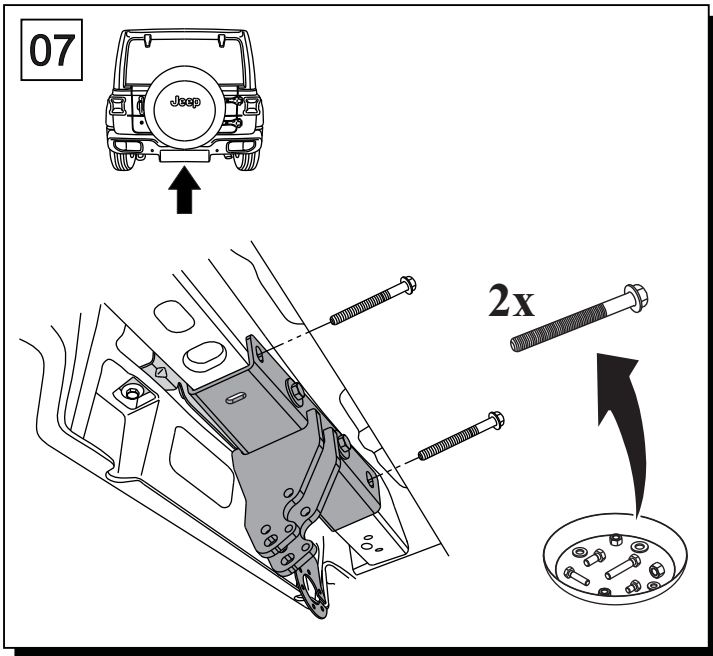


1000 km



1		x1		7	M12x120	x2
				8	M10x40	x2
2		x1		9	M8x45	x1
				10	∅ 37x∅13x3 13 (DIN 9021)	x4
3		x1		11	∅ 30x∅10.5x2.5 10 (DIN 9021)	x2
				12	∅ 8.2	x3
4		x1		13	∅ 12.2	x4
				14	∅ 10.2	x2
5		x1		15	M12	x4
				16	M 8 (DIN985)	x1
6		x1				





AdBlue → **08** ... **13**

