

AUTO-HAK Sp. z o.o.

ul. Słoneczna 16K 76-200 SŁUPSK

POLAND

tel/fax +48 59 8 414 414; +48 59 8 414 413

e-mail: office@autohak.com.pl

www.autohak.com.pl



AUTO-HAK

JEEP COMPASS II (MP)

~~Trailhawk~~

Nr kat.

JP13A



08.2017 →



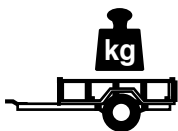
E20-55R-02/01-5555



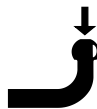
1,5h

D

10,2 kN



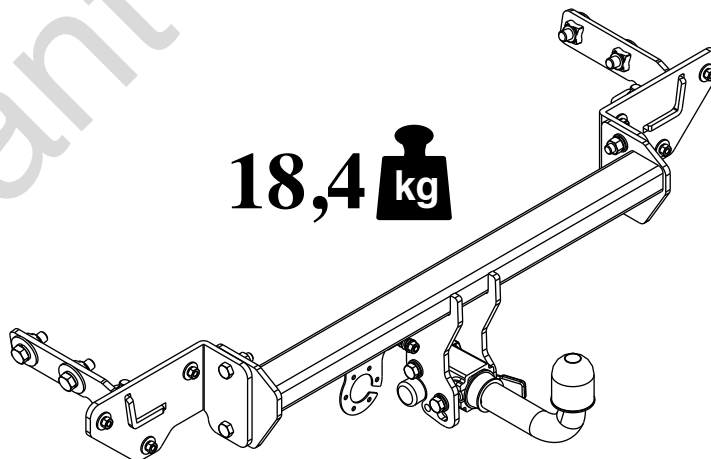
R=1500 kg



S=100 kg



18,4 kg



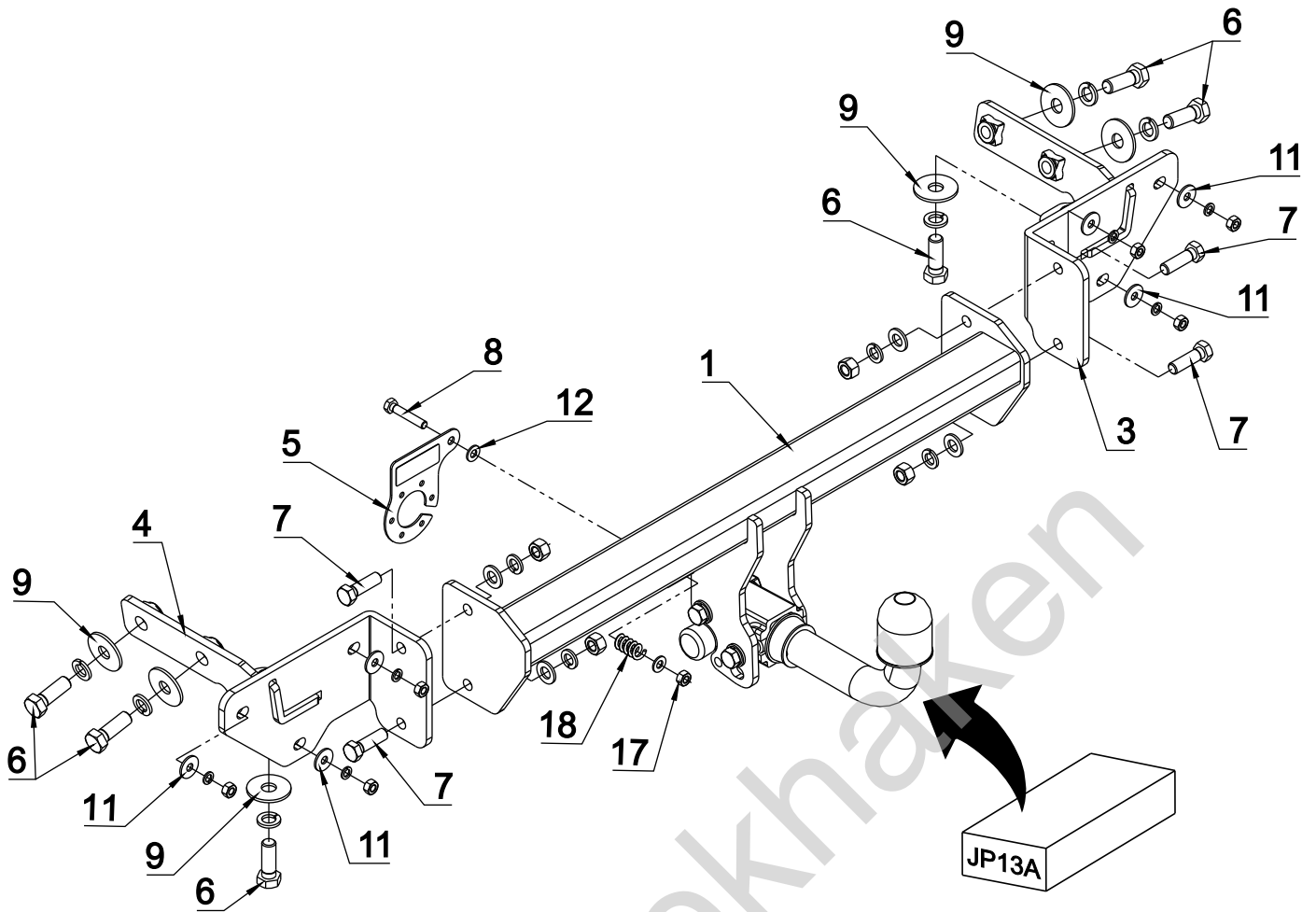
śruba	Nm	M6	M8	M10	M12	M14	M16
klasa 8.8		9,9	24	48	83	132	200
klasa 10.9		14	34	67	117	185	285

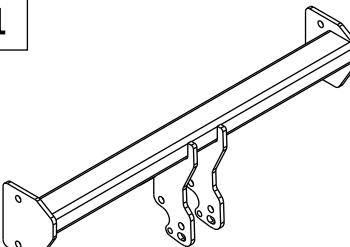

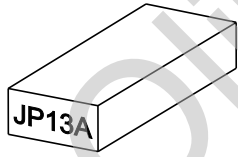
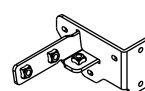

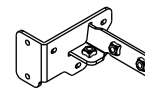
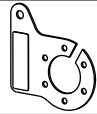

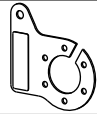

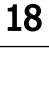


0 km →



1000 km



1		x1		6	M14x40	x6
				7	M12x40	x4
2		x1		8	M8x45	x1
				9	\varnothing 44x \varnothing 15x3 14 (DIN 9021)	x6
3		x1		10	\varnothing 13	x4
				11	\varnothing 24x \varnothing 8.5x2 8 (DIN 9021)	x6
4		x1		12	\varnothing 8.2	x2
				13	\varnothing 14.2	x6
5		x1		14	\varnothing 12.2	x4
				15	\varnothing 8.2	x6
6		x1		16	M12	x4
				17	M8	x7
				18		x1

