

# AUTO-HAK Sp. z o.o.

ul. Słoneczna 16K 76-200 SŁUPSK  
POLAND

tel/fax +48 59 8 414 414; +48 59 8 414 413

e-mail: [office@autohak.com.pl](mailto:office@autohak.com.pl)

[www.autohak.com.pl](http://www.autohak.com.pl)



# AUTO-HAK



JEEP CHEROKEE (KL)

~~Trailhawk~~

Cat. no:

**JP11A**



07.2014 →



E20-55R-01 4376



2h



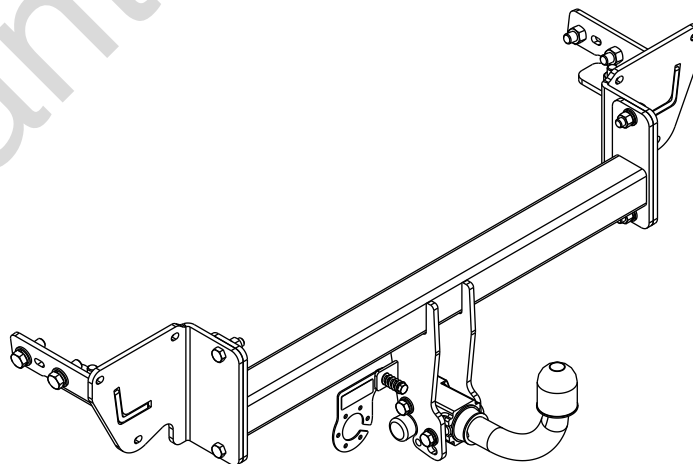
12,4 kN



R=2500 kg



S=150 kg



M6 - 11 Nm  
M10 - 50 Nm  
M14 - 138 Nm

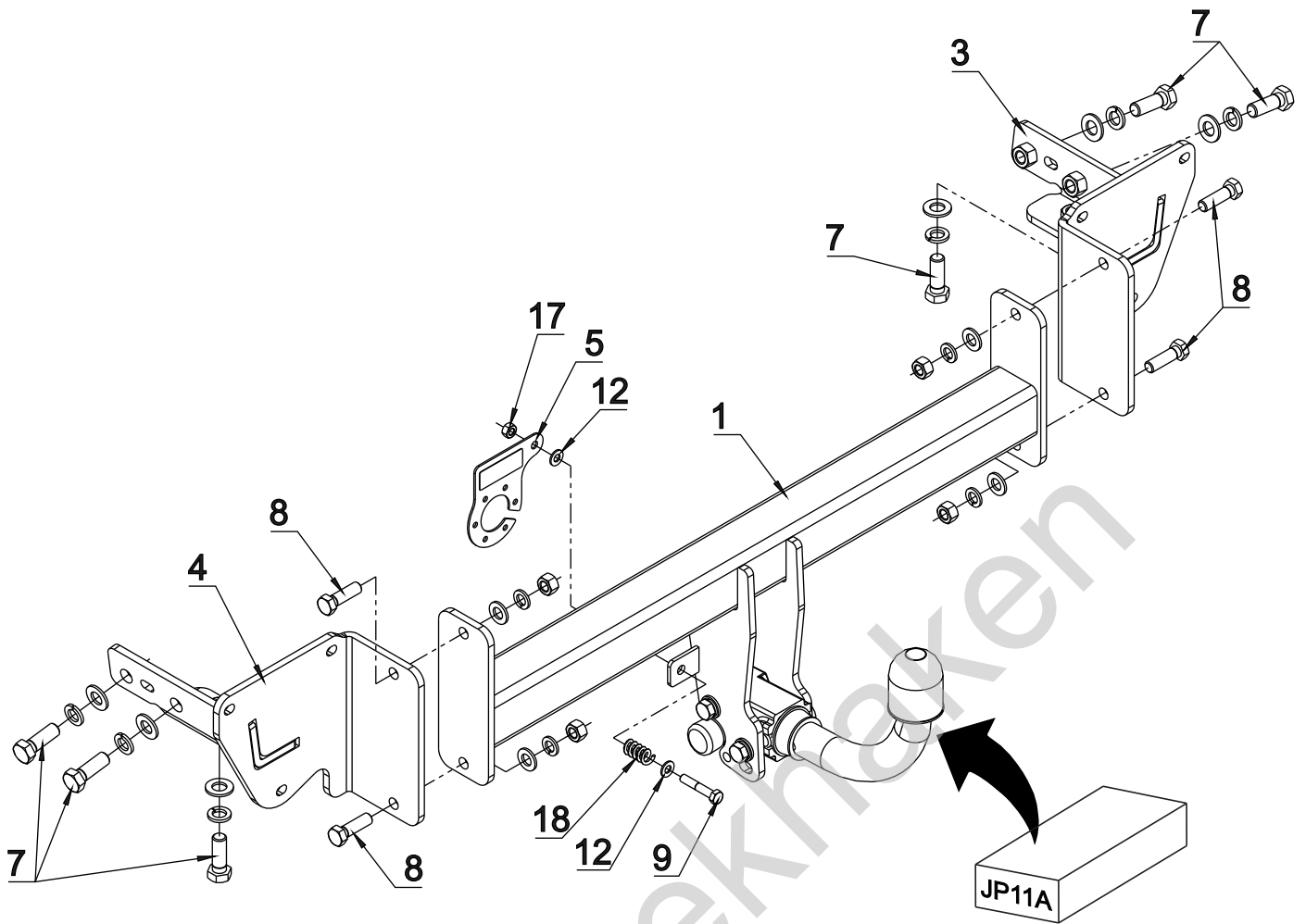
M8 - 25 Nm  
M12 - 87 Nm  
M16 - 210 Nm

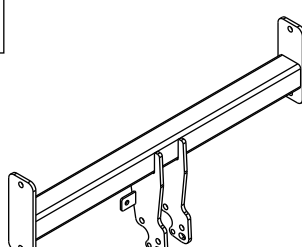

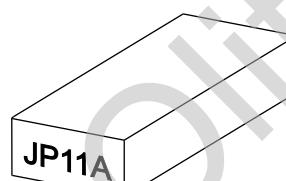
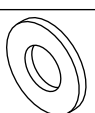



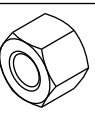
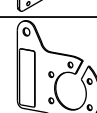

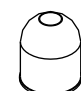
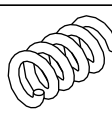
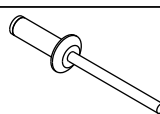


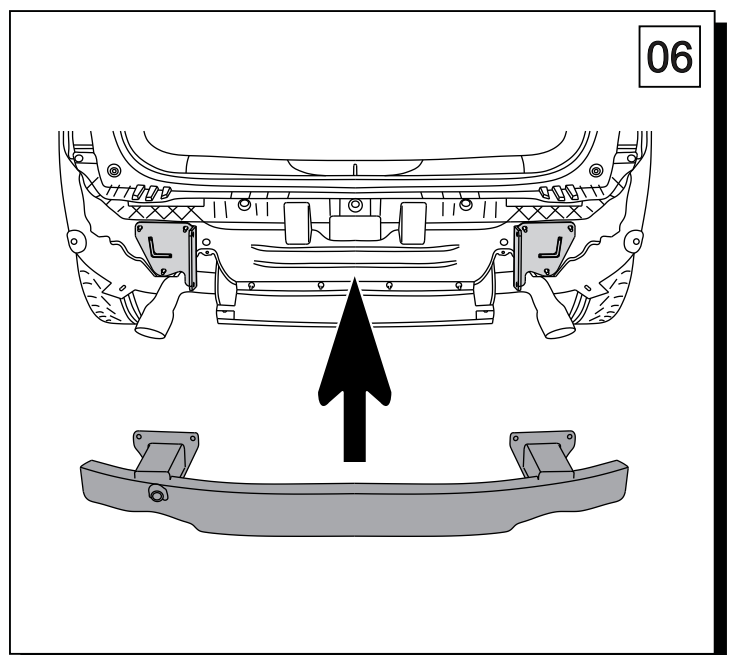
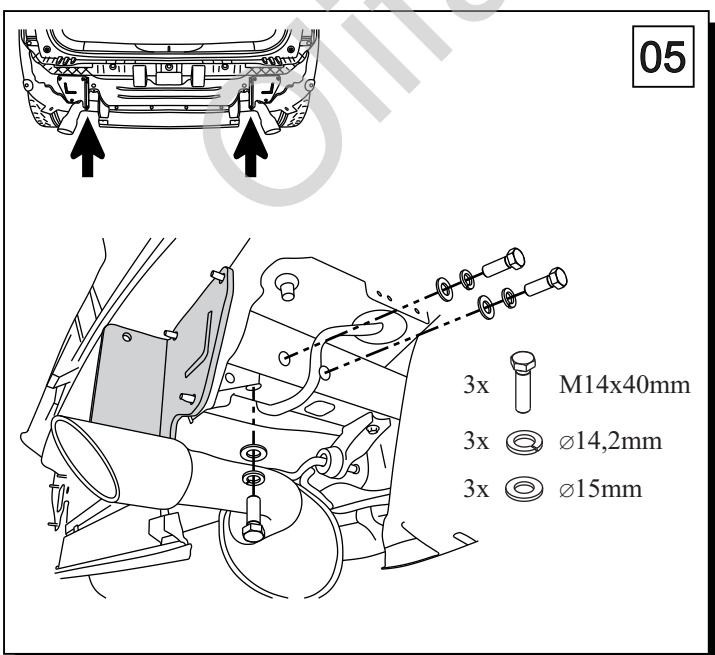
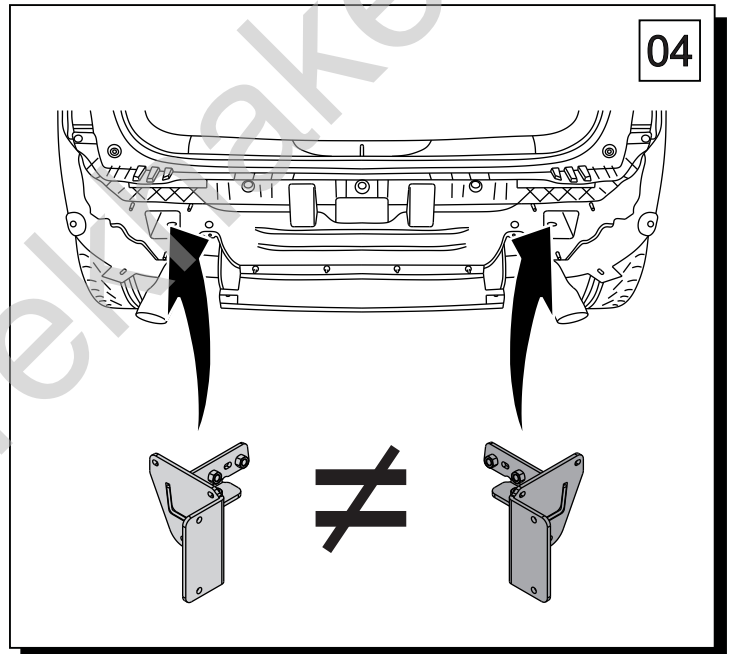
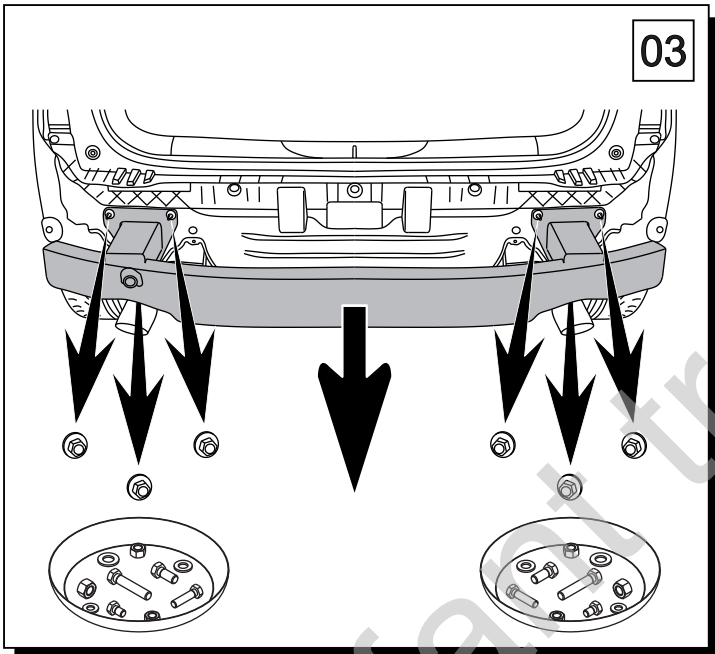
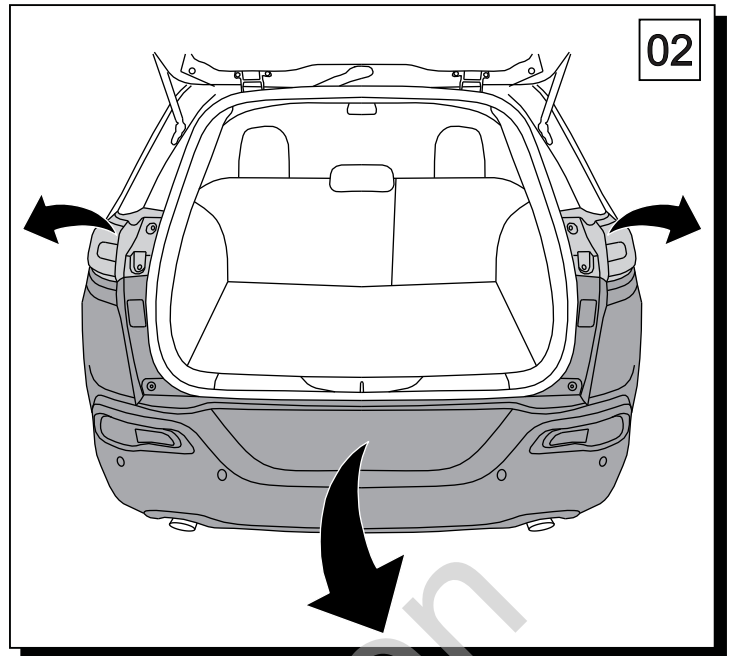
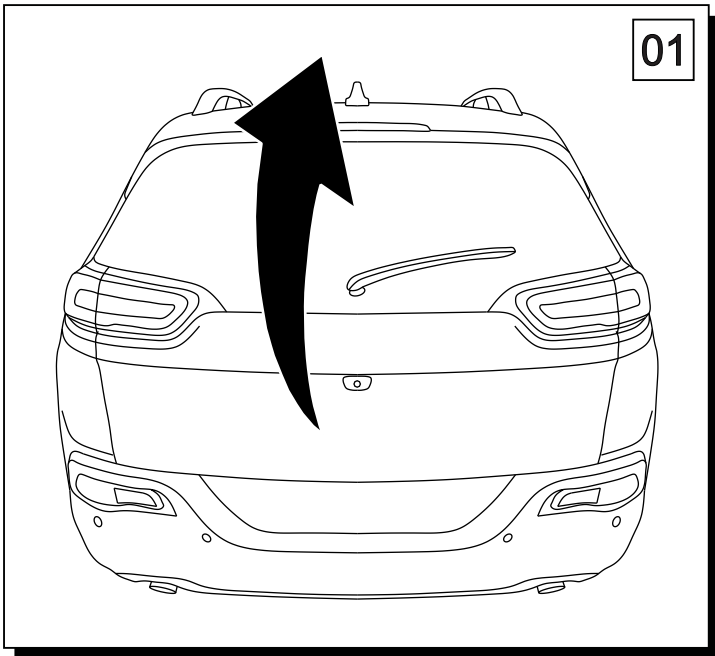
0 km →

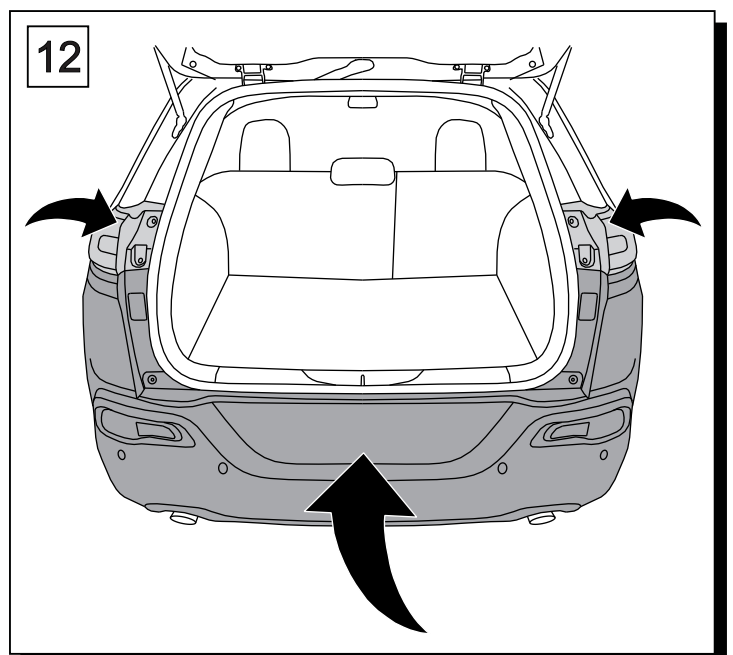
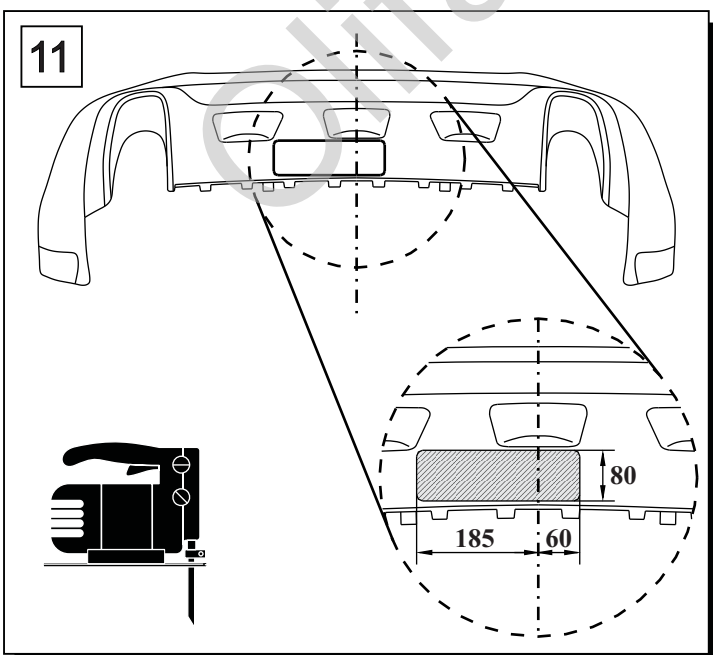
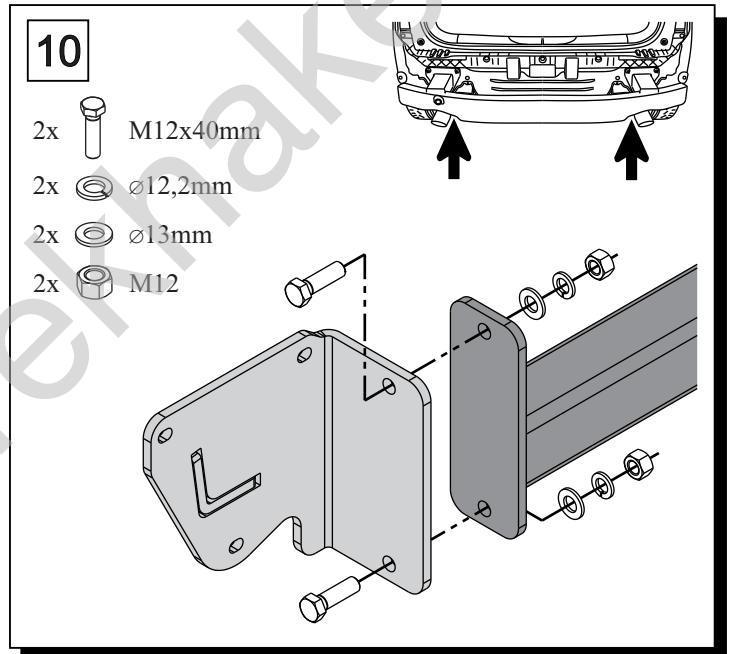
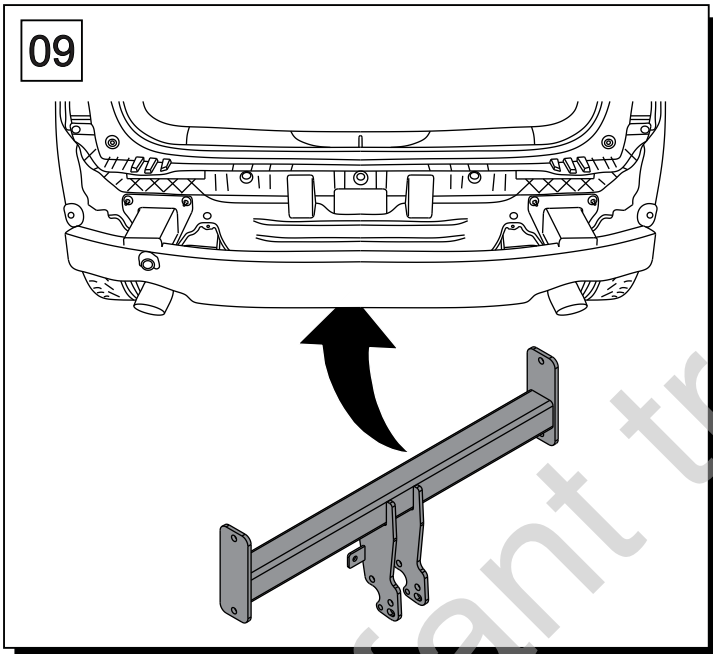
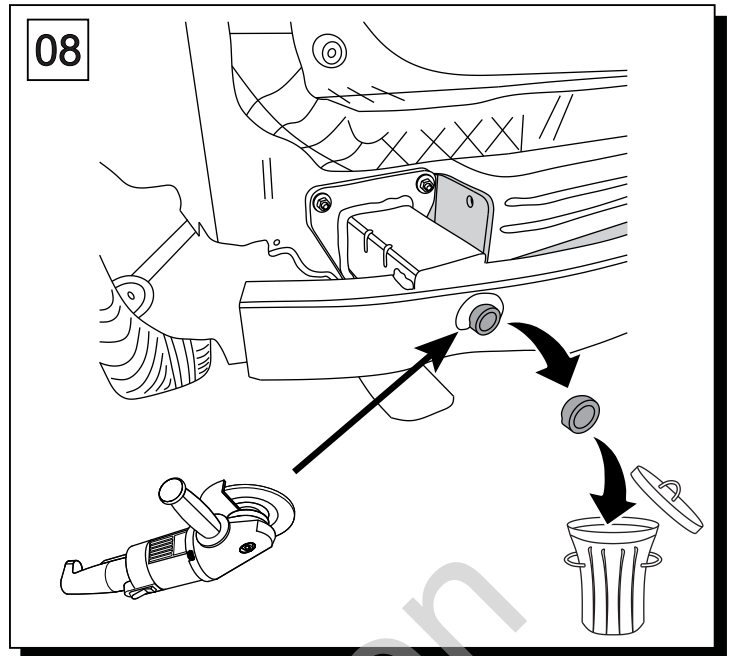
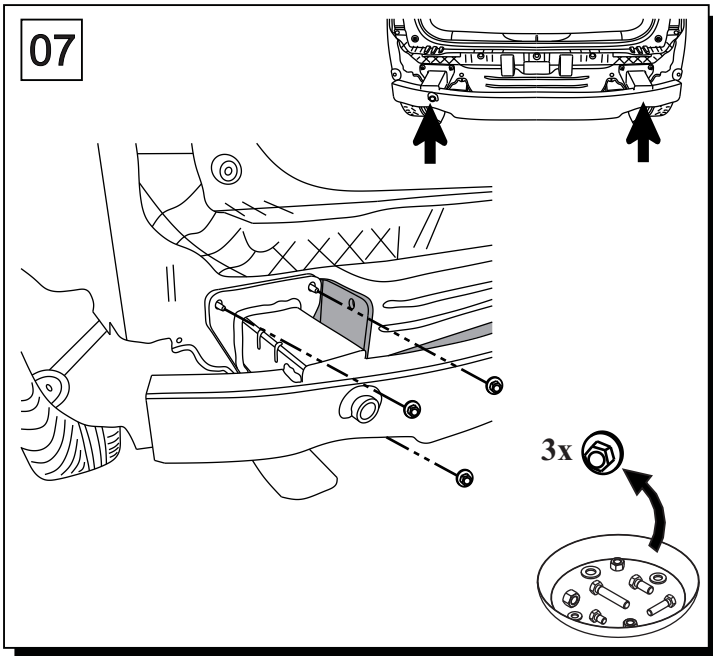


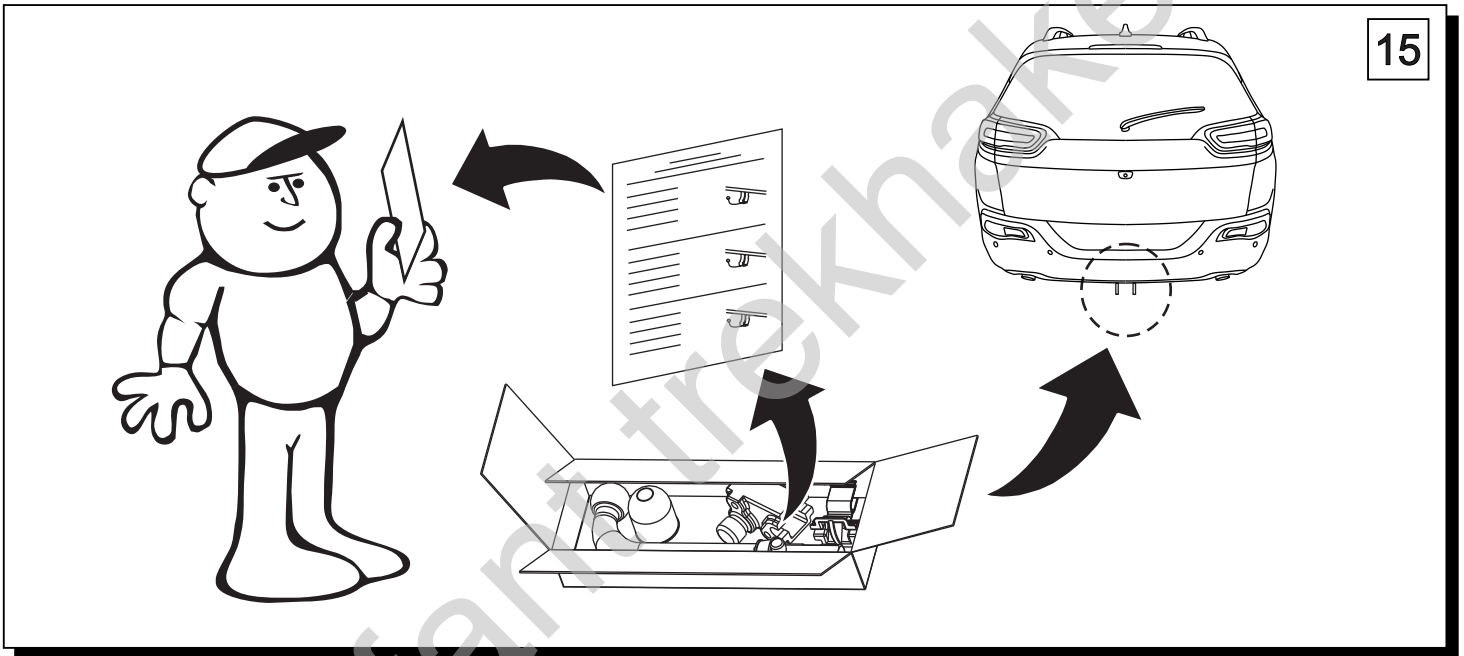
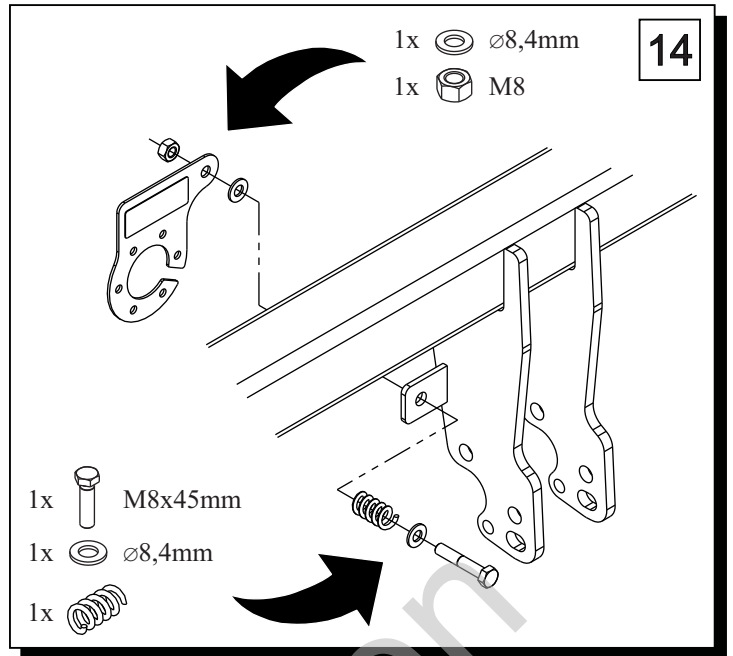
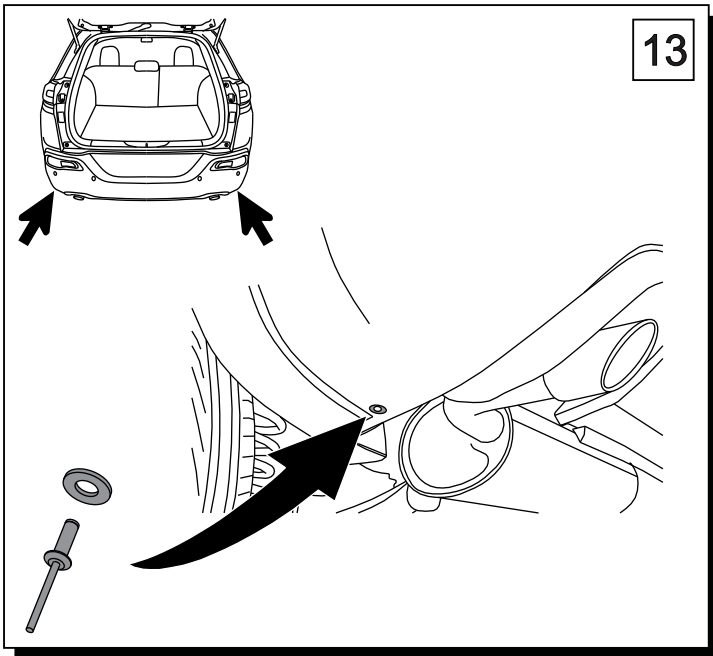
1000 km



1		x1		7	M14x40	x6
				8	M12x40	x4
				9	M8x45	x1
2		x1		10	∅ 15	x6
				11	∅ 13	x4
3		x1		12	∅ 8.2	x2
				13	∅ 14.2	x6
4		x1		14	∅ 12.2	x6
				15	∅ 18x∅6.4x1.6 6 (DIN 9021)	x2
5		x1		16	M12	x4
				17	M8	x1
6		x1		18		x1
				19		x2







	<b>M6</b> - 11 Nm	<b>M8</b> - 25 Nm
	<b>M10</b> - 50 Nm	<b>M12</b> - 87 Nm
	<b>M14</b> - 138 Nm	<b>M16</b> - 210 Nm

**0 km** → **1000 km**