

# AUTO-HAK Sp. z o.o.

ul. Słoneczna 16K 76-200 SŁUPSK  
POLAND

tel/fax +48 59 8 414 414; +48 59 8 414 413

e-mail: [office@autohak.com.pl](mailto:office@autohak.com.pl)


[www.autohak.com.pl](http://www.autohak.com.pl)



# AUTO-HAK

## JEEP GRAND CHEROKEE WK2/WK11, ~~SRT/SUMMIT~~

Nr kat.  
**JP10A**

 04.2011 → 06.2013  
07.2013 →

**e20** e20\*94/20\*1547\*00

  **2h**

**D** 16,2 kN



R=3500 kg



S=175 kg



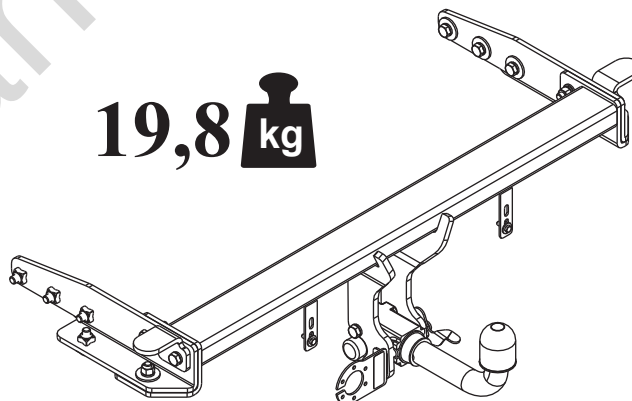
04.2011-  
06.2013



07.2013

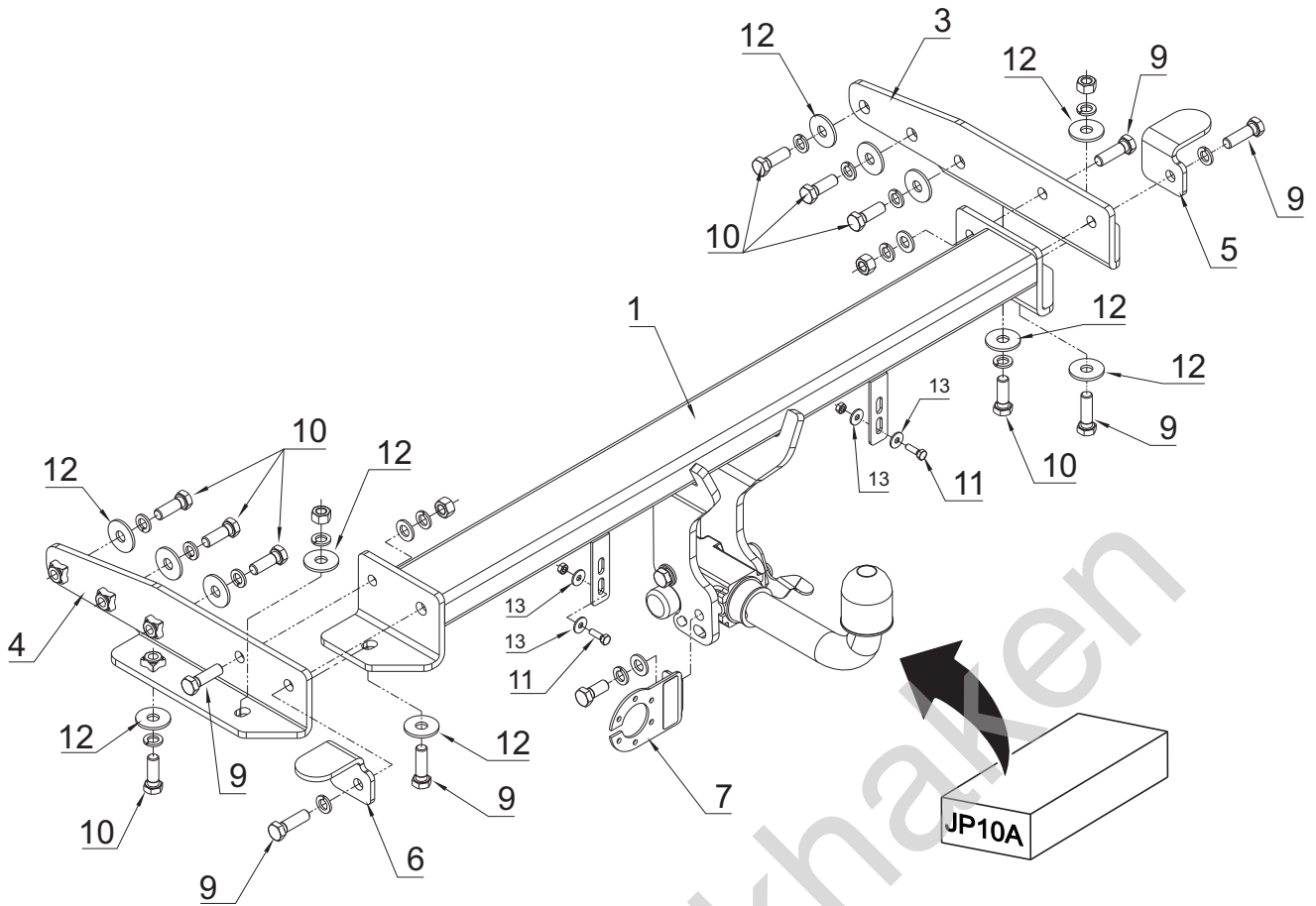


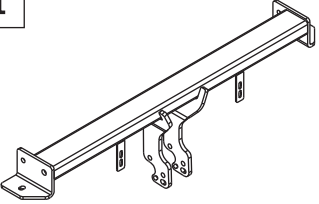

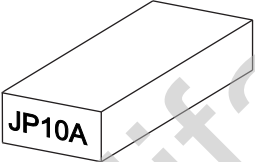

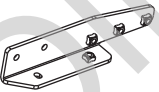
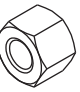



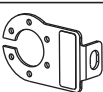
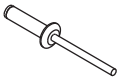
**19,8 kg** 

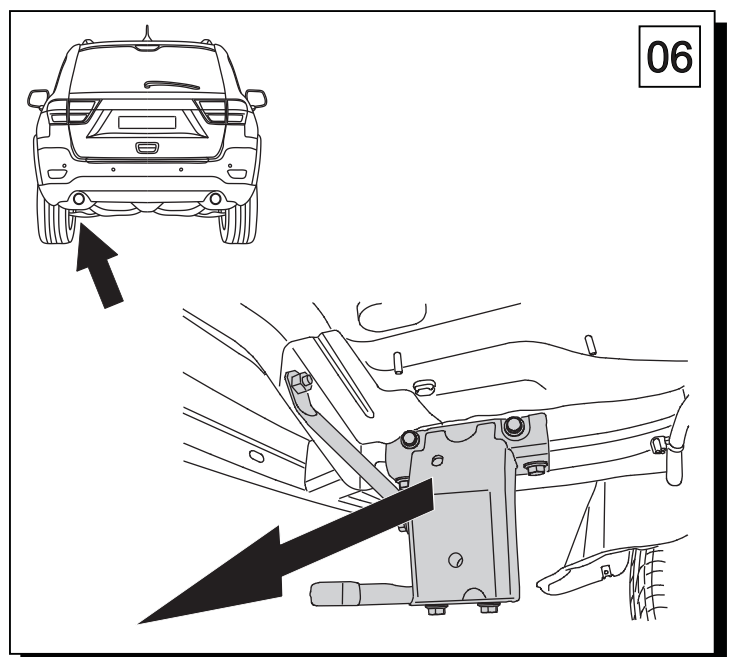
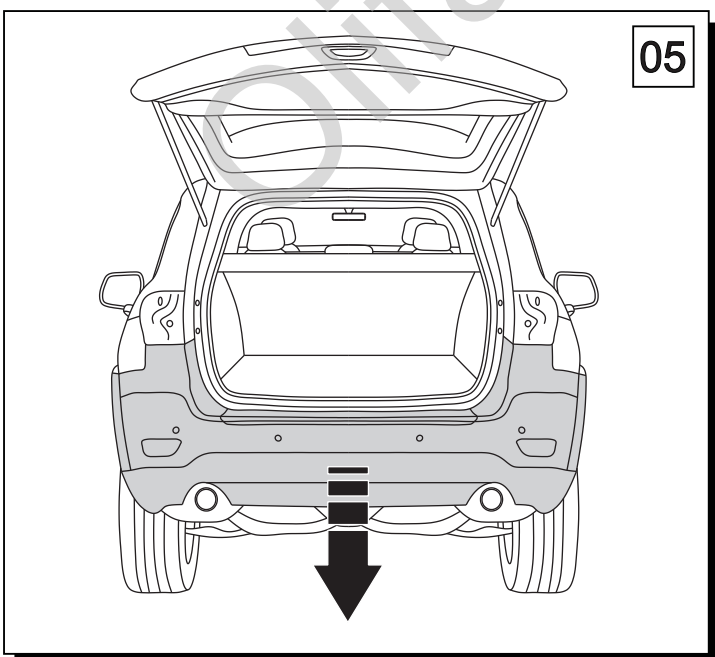
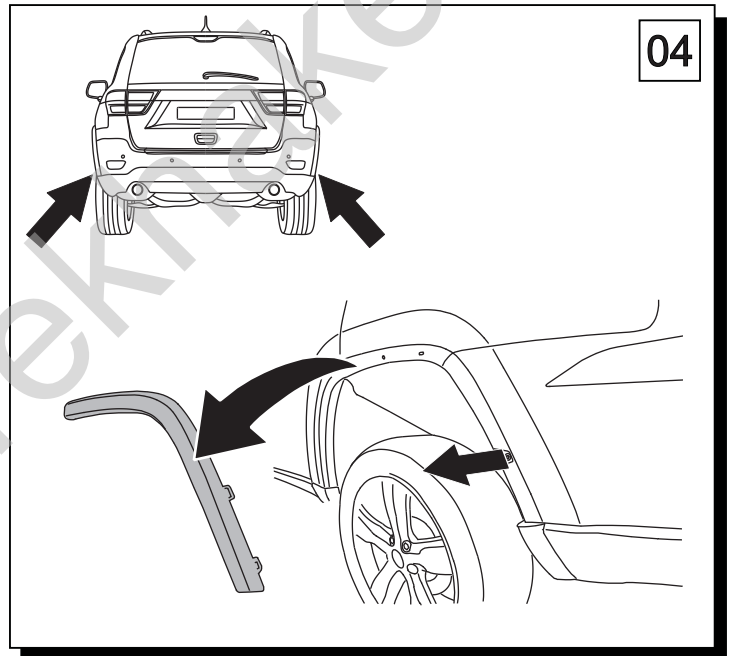
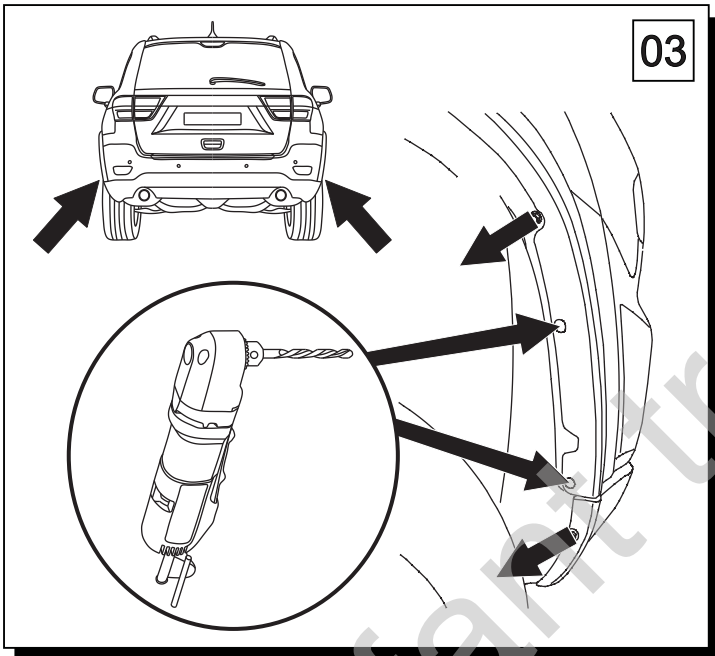
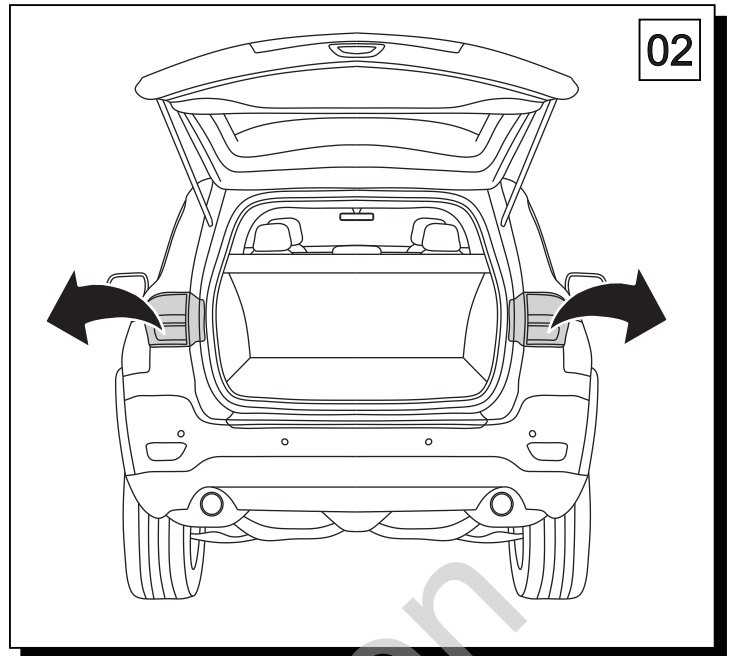
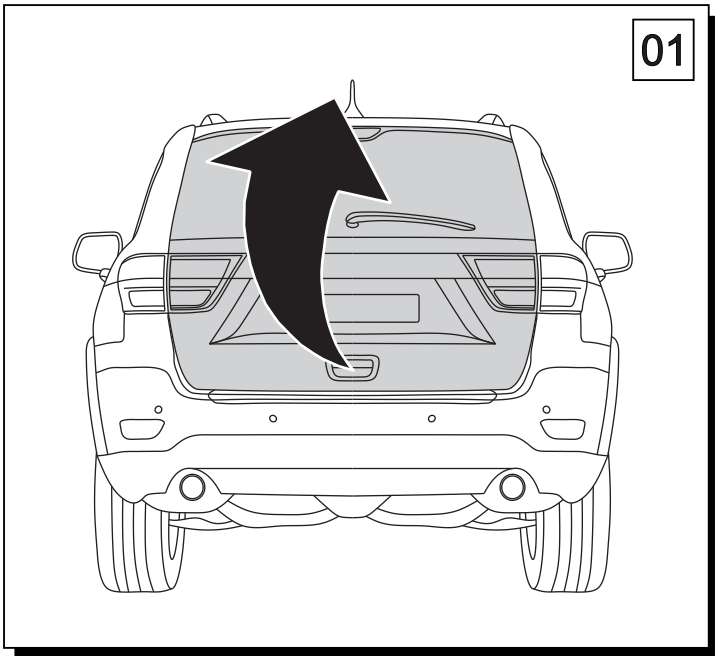


śruba Nm	M6	M8	M10	M12	M14	M16
klasa 8.8	9,9	24	48	83	132	200
klasa 10.9	14	34	67	117	185	285

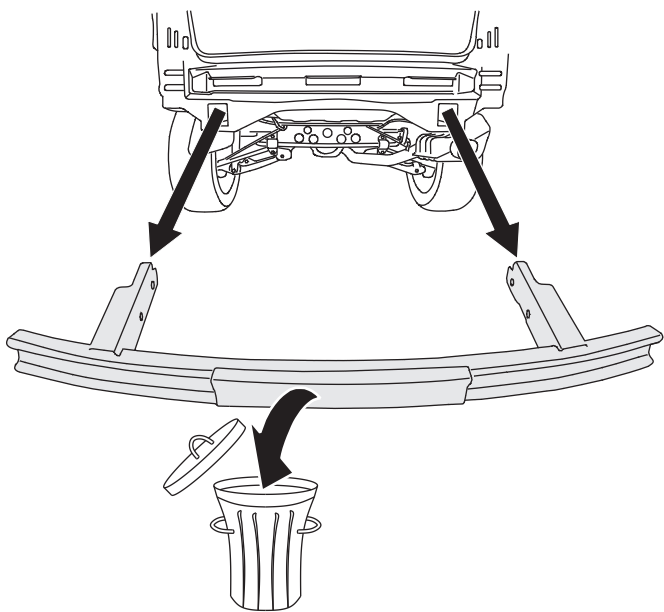
 0 km →  1000 km



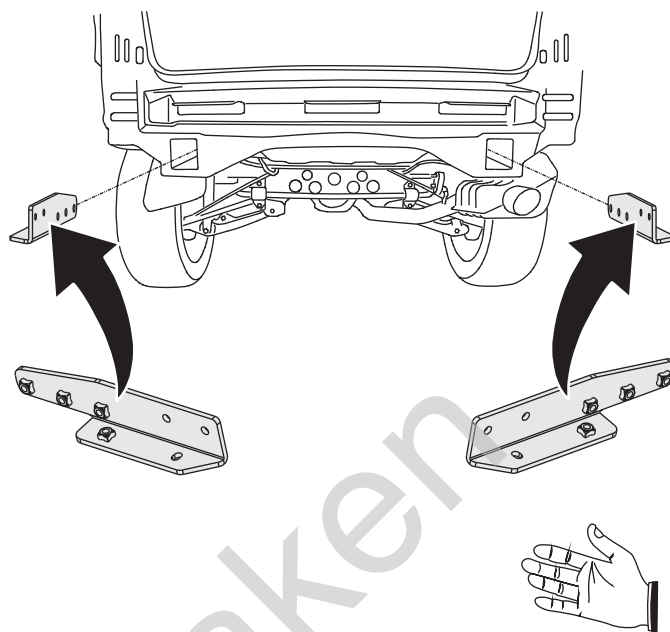
	x1		9	M12x40	6
			10	M12x35	8
			11	M6x20	2
			12	$\phi$ 37x $\phi$ 13x3 13 DIN 9021	12
 Art.nr-KL1JP10A	x1		13	$\phi$ 18x $\phi$ 6.4x1.6 6 (DIN 9021)	4
			14	$\phi$ 12.2	14
	x1		15	M12	4
			16	M6	2
	x1				
	x1				
	x1				
	x1				
	x4				$\phi$ 5X20mm



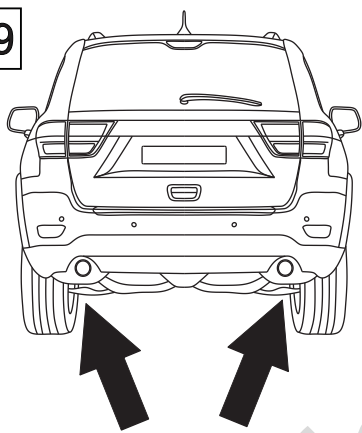
07



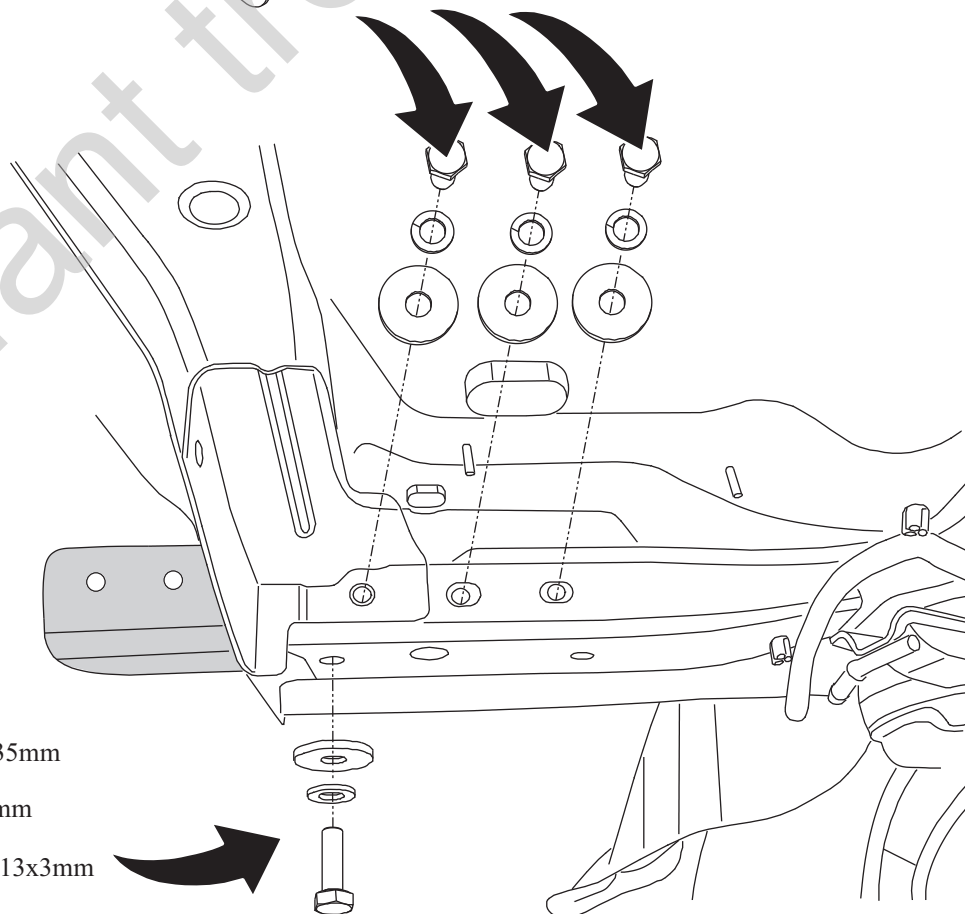
08






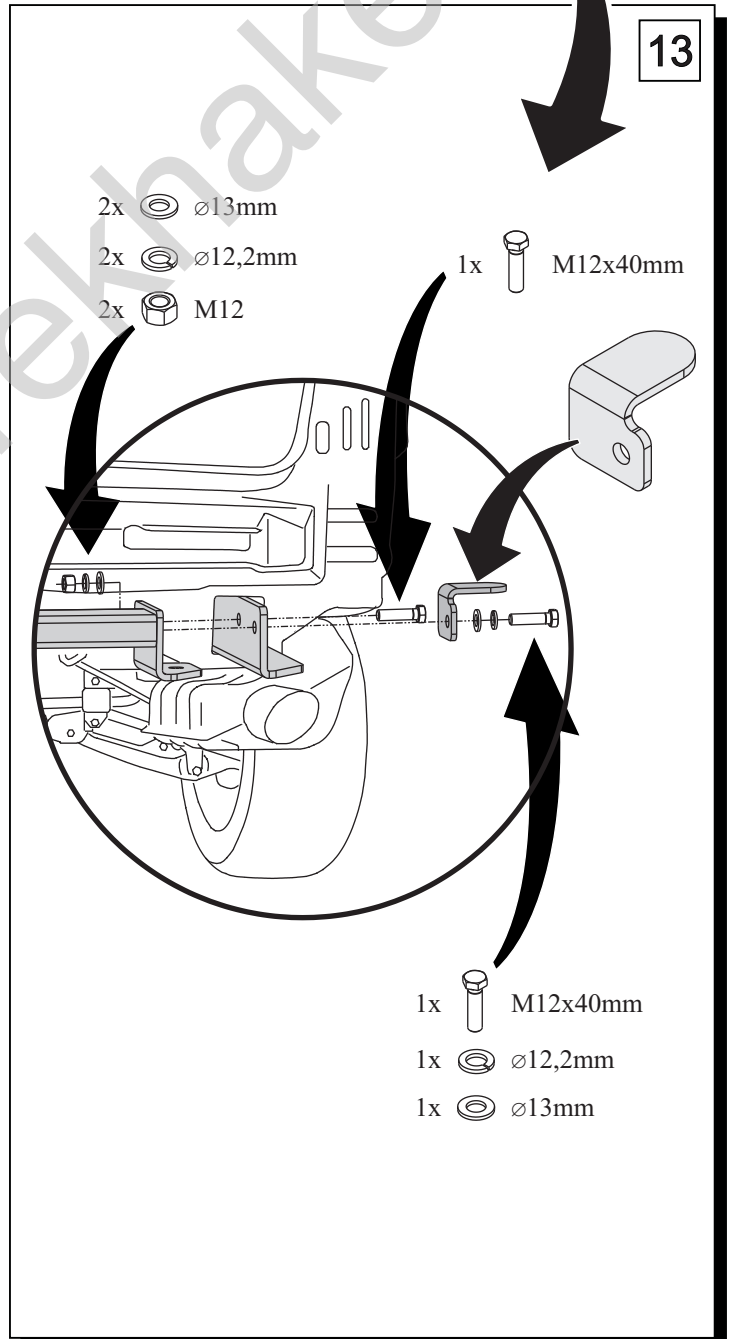
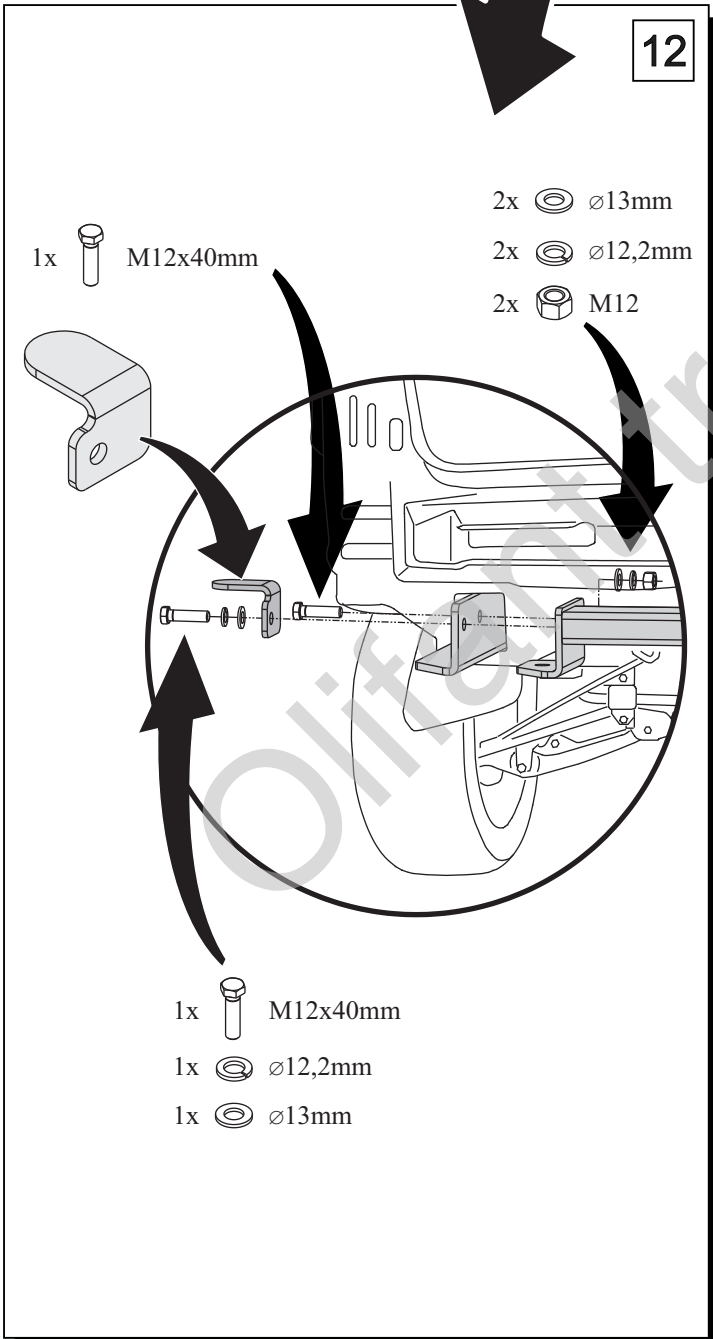
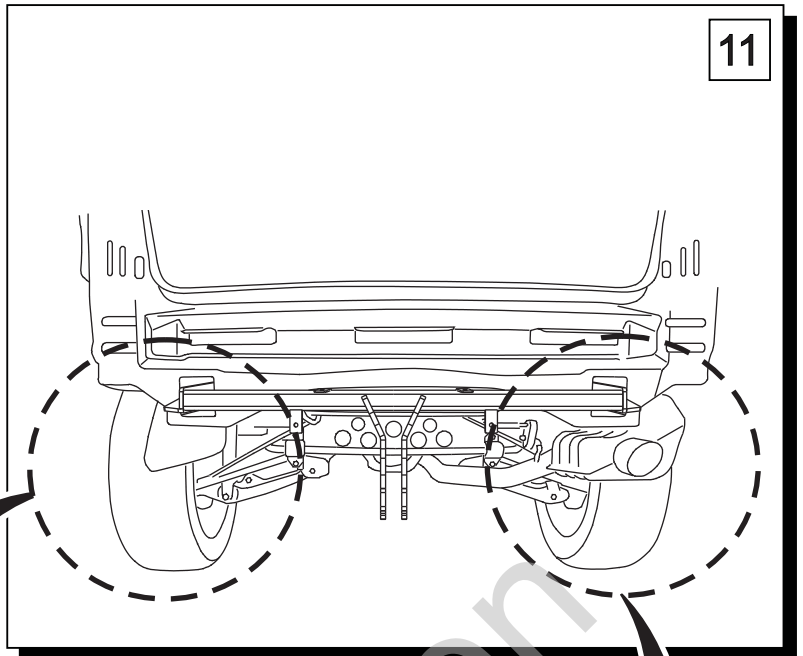
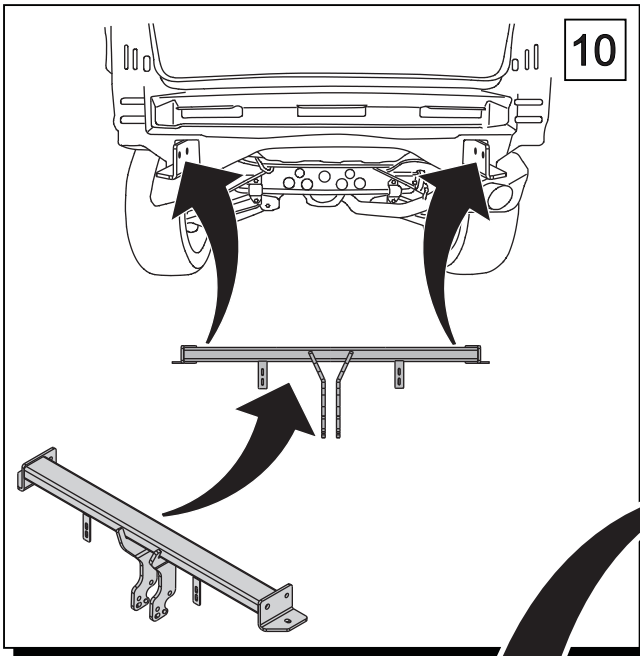
09

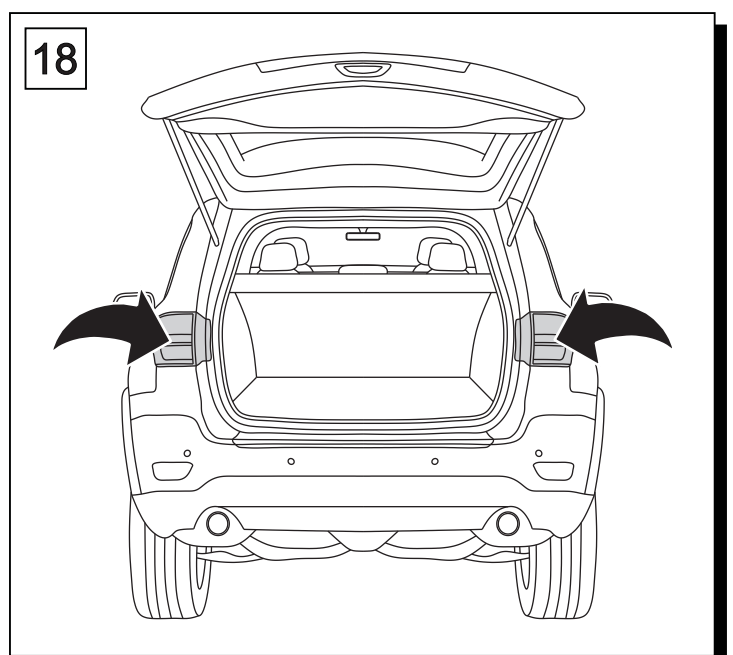
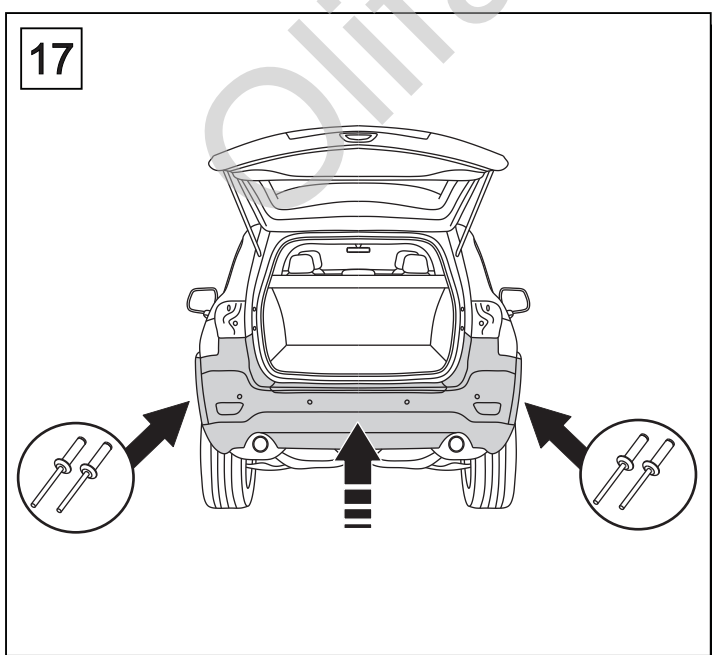
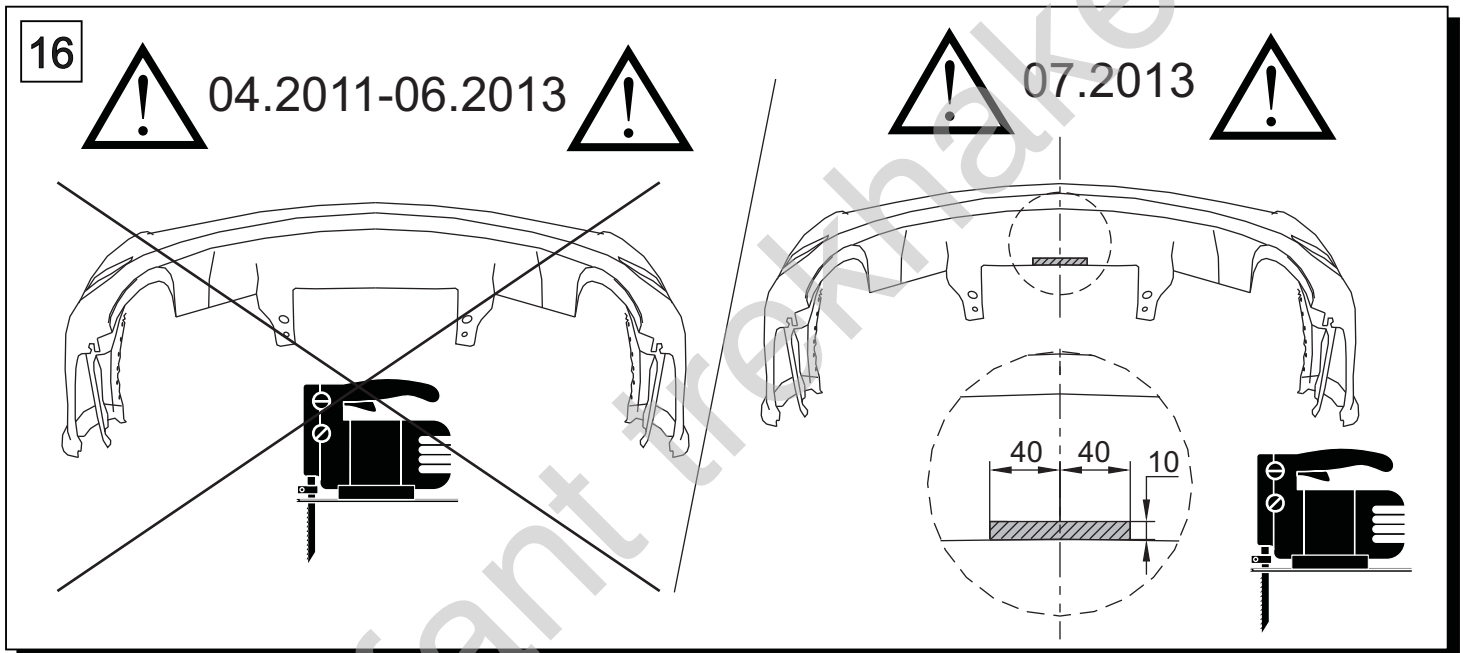
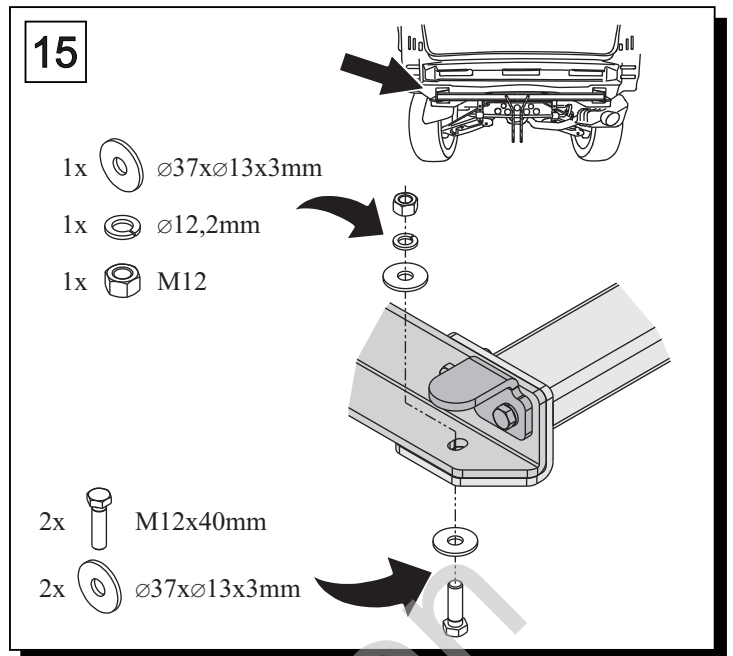
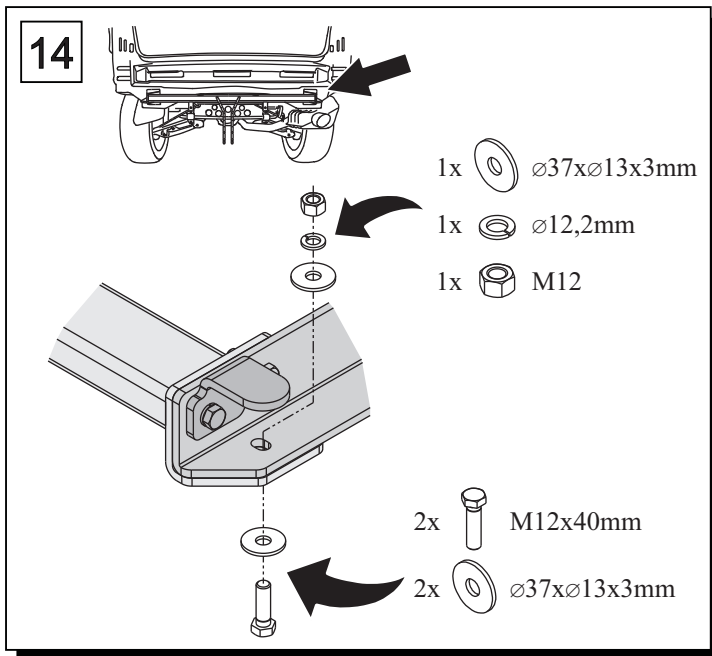


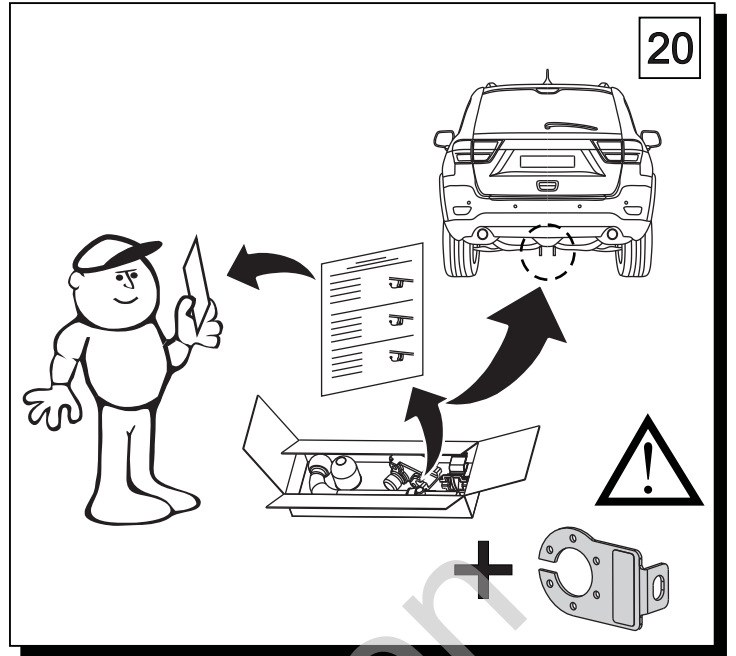
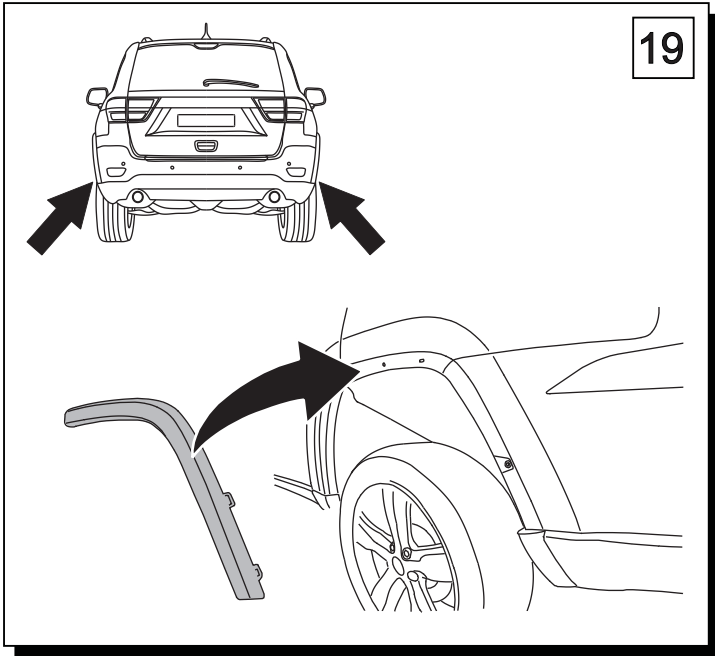
- 3x  M12x35mm
- 3x   $\varnothing 12,2\text{mm}$
- 3x   $\varnothing 37\text{x}\varnothing 13\text{x}3\text{mm}$



- 1x  M12x35mm
- 1x   $\varnothing 12,2\text{mm}$
- 1x   $\varnothing 37\text{x}\varnothing 13\text{x}3\text{mm}$







Olifant trekhaken