

AUTO-HAK Sp. z o.o.

ul. Słoneczna 16K 76-200 SŁUPSK
POLAND

tel/fax +48 59 8 414 414; +48 59 8 414 413

e-mail: office@autohak.com.pl

www.autohak.com.pl




AUTO-HAK

JEEP COMPASS I (MK) JEEP PATRIOT (PK)

Nr kat.

JP07A

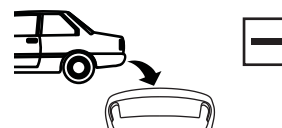
 COMPASS - 10.2006 → 12.2016
Patriot - 12.2007 → 03.2011


e20 e20*94/20*0434*00




2h

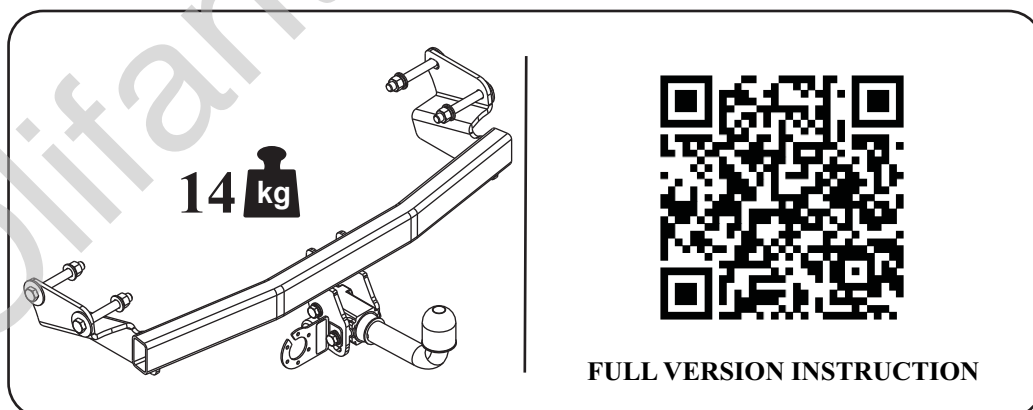
D 9,0 kN



 R=1500 kg



 S=105 kg

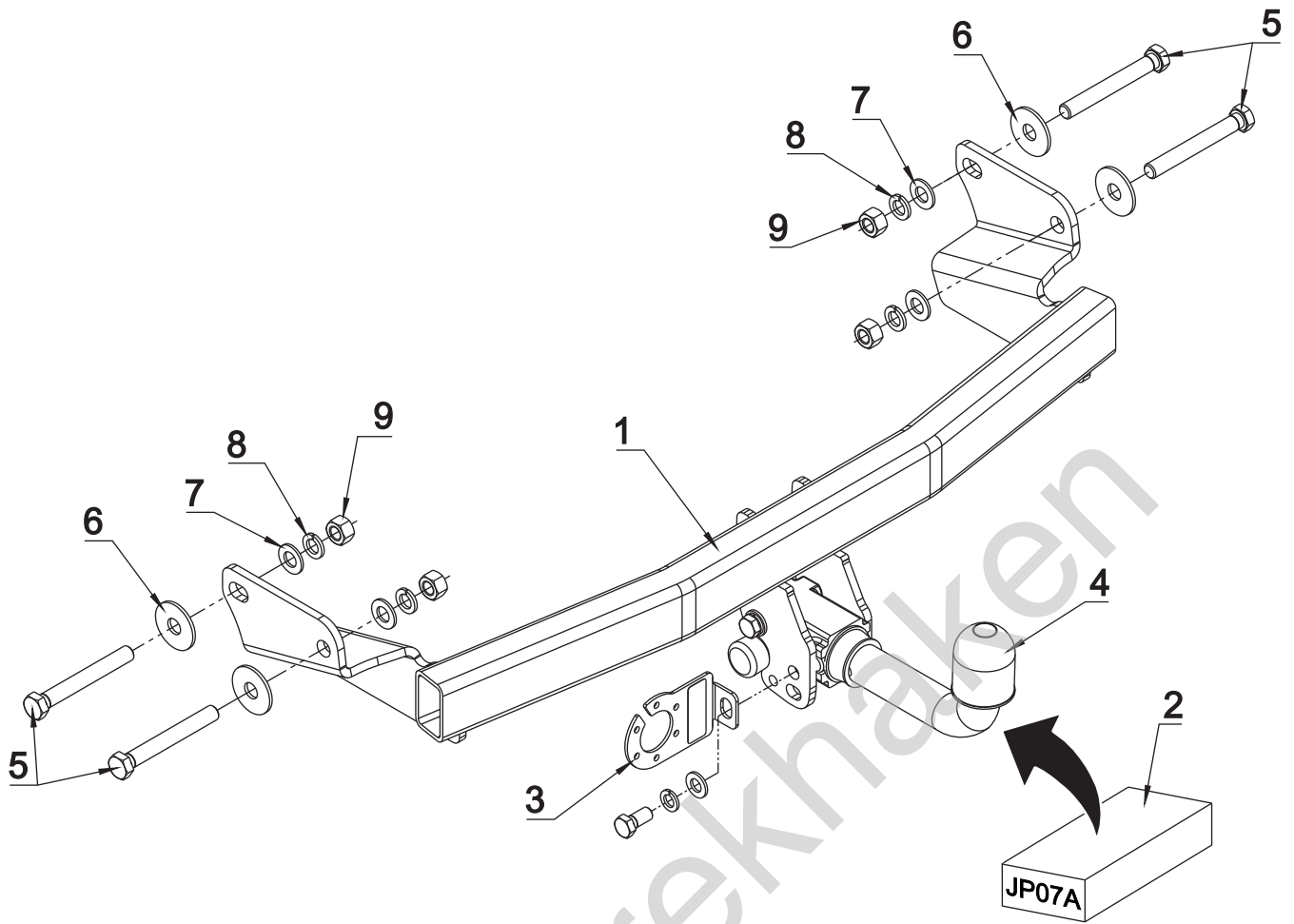


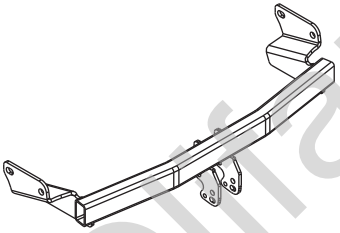
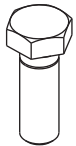
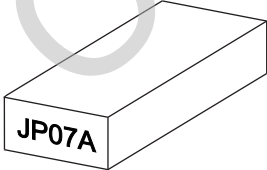

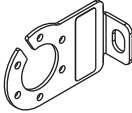



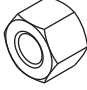
FULL VERSION INSTRUCTION

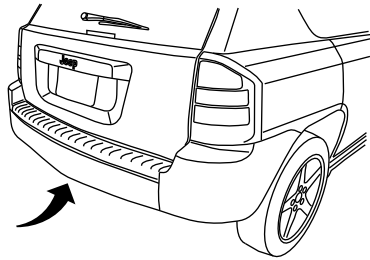


śruba	Nm	M6	M8	M10	M12	M14	M16
klasa 8.8		9,9	24	48	83	132	200
klasa 10.9		14	34	67	117	185	285

 0 km →  1000 km




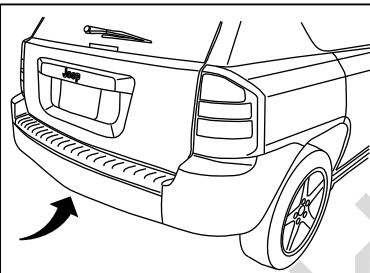
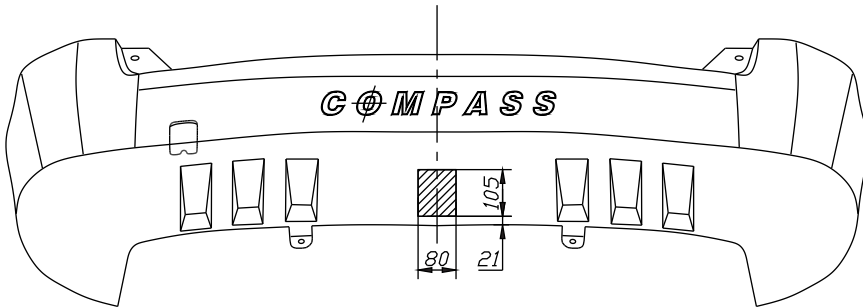
1 	x 1		5 M14x110	x 4
2 	x 1		6 \varnothing 44x \varnothing 15x3 15 wg DIN 9021	x 4
3 	x 1		7 \varnothing 15	x 4
4 	x 2		8 \varnothing 14.2	x 4
Art.nr-KL1JP07A Art.nr-BL2JP07A			9 M14	x 4



01


JEEP COMPASS

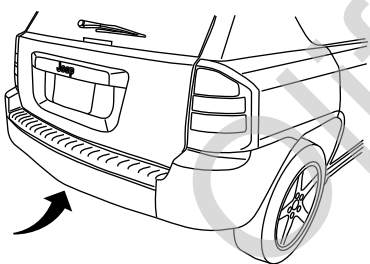
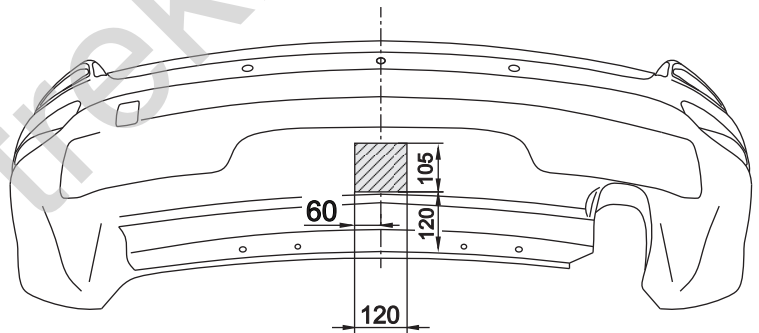
 10.2006 → 03.2011



02


JEEP COMPASS

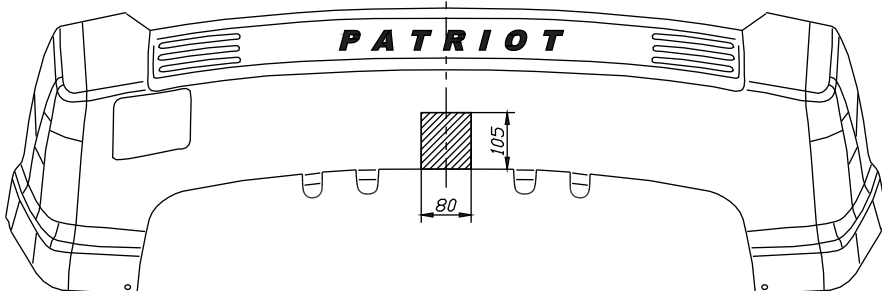
 04.2011 → 12.2016



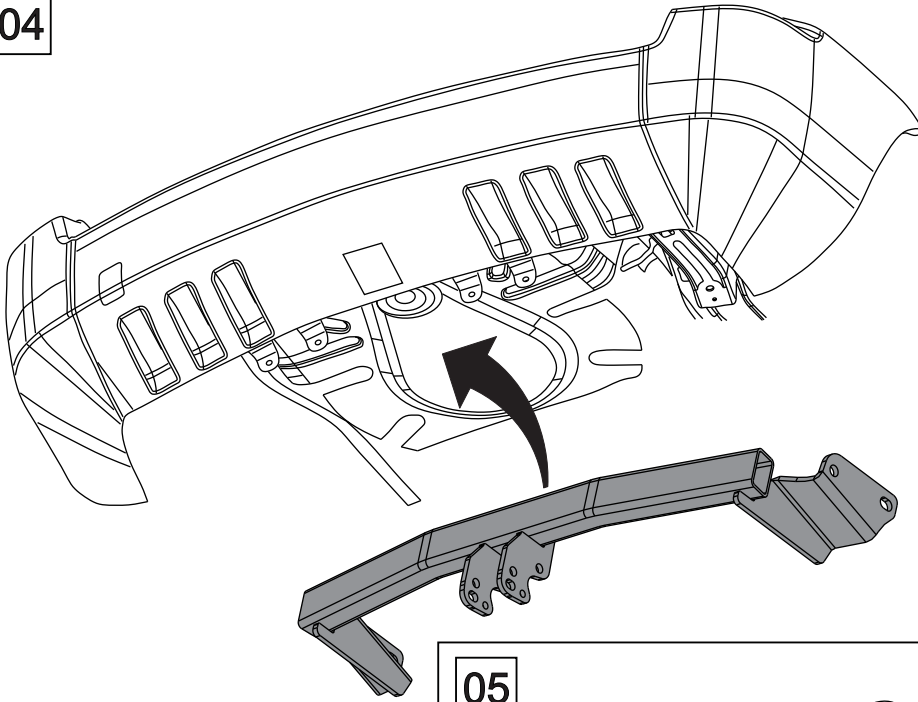
03

JEEP PATRIOT

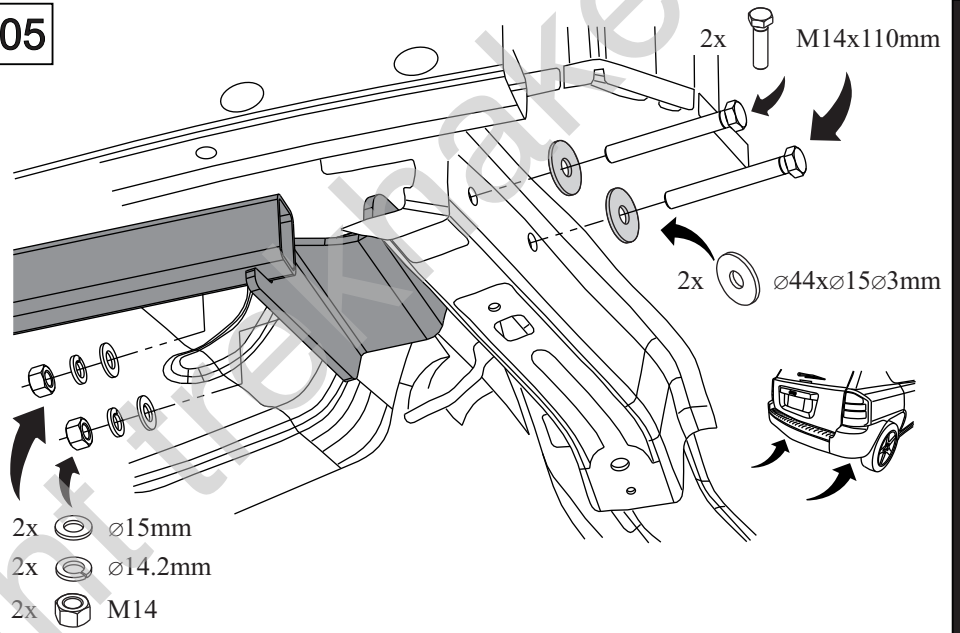
 12.2007 → 03.2011



04



05



06

