

# PPUH AUTO-HAK Sp.J.

Henryk i Zbigniew Nejman  
ul. Słoneczna 16K 76-200 SŁUPSK  
POLAND

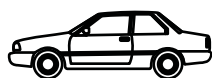
tel/fax +48 59 8 414 414; +48 59 8 414 413

e-mail: [office@autohak.com.pl](mailto:office@autohak.com.pl)

[www.autohak.com.pl](http://www.autohak.com.pl)



# AUTO-HAK



## JEEP GRAND CHEROKEE (WK), ~~SRT~~ JEEP COMMANDER (XH)

Cat. no:

**JP06A**



CHEROKEE - 06.2005 → 03.2011

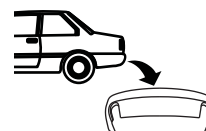
COMMANDER - 06.2006 → 03.2011



**2h**

e20

e20\*94/20\*0063\*00



**D**

15,2 kN

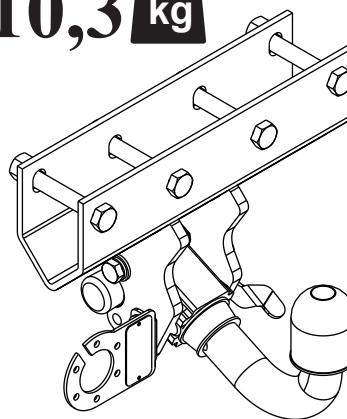


R=3500 kg



S=140 kg

**10,3 kg**



M6 - 11 Nm  
M10 - 50 Nm  
M14 - 138 Nm

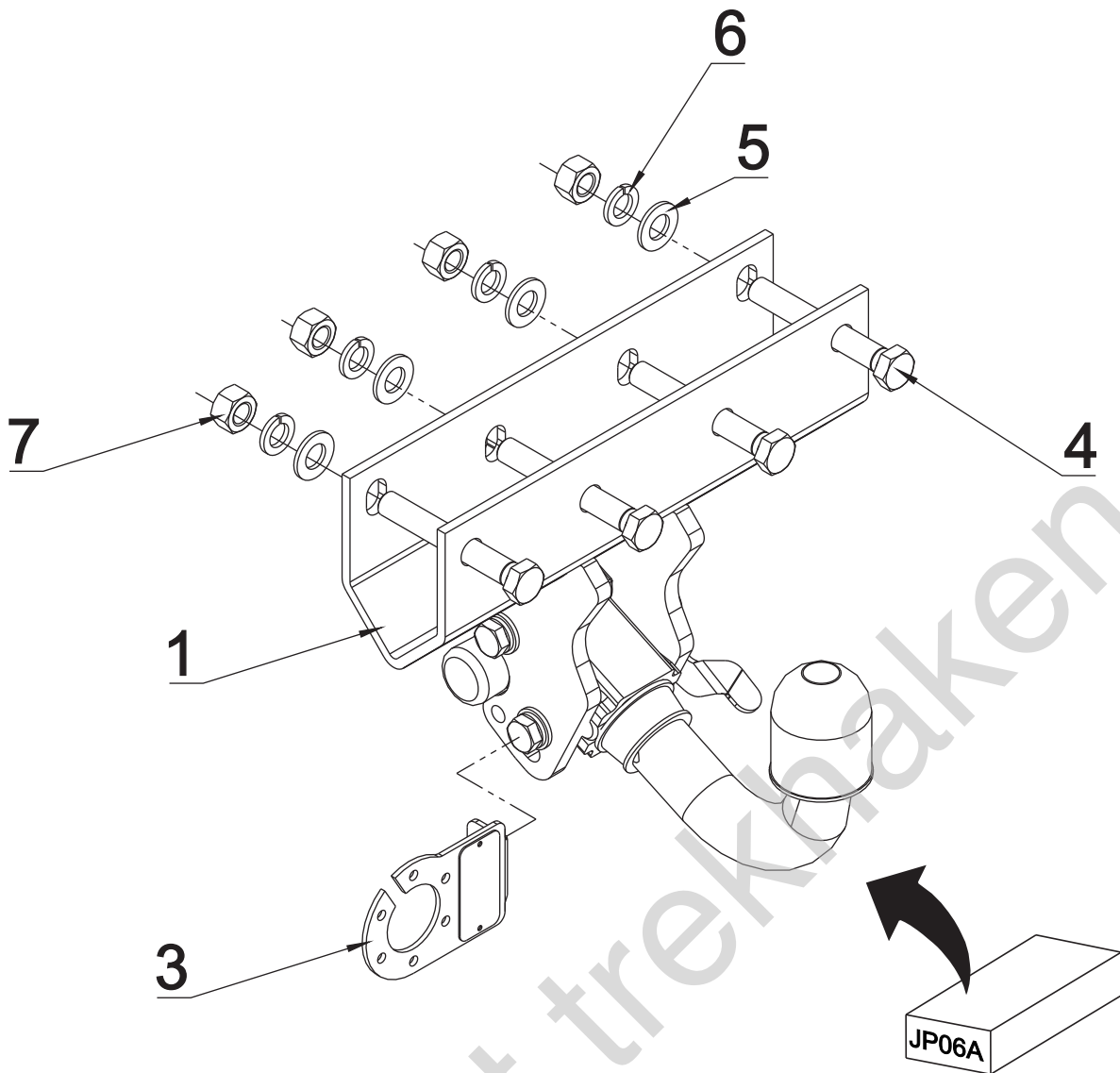
M8 - 25 Nm  
M12 - 87 Nm  
M16 - 210 Nm

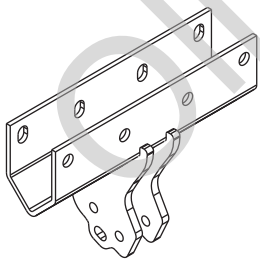
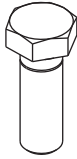
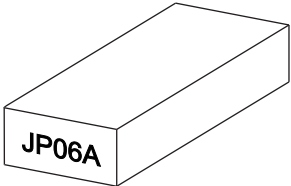

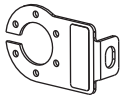




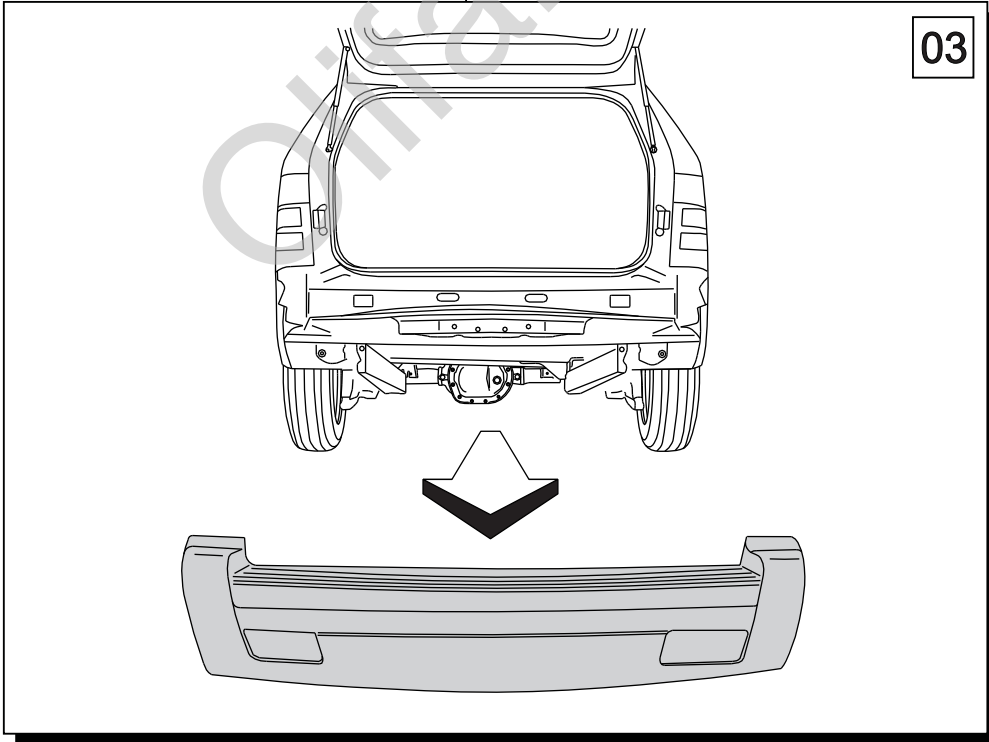
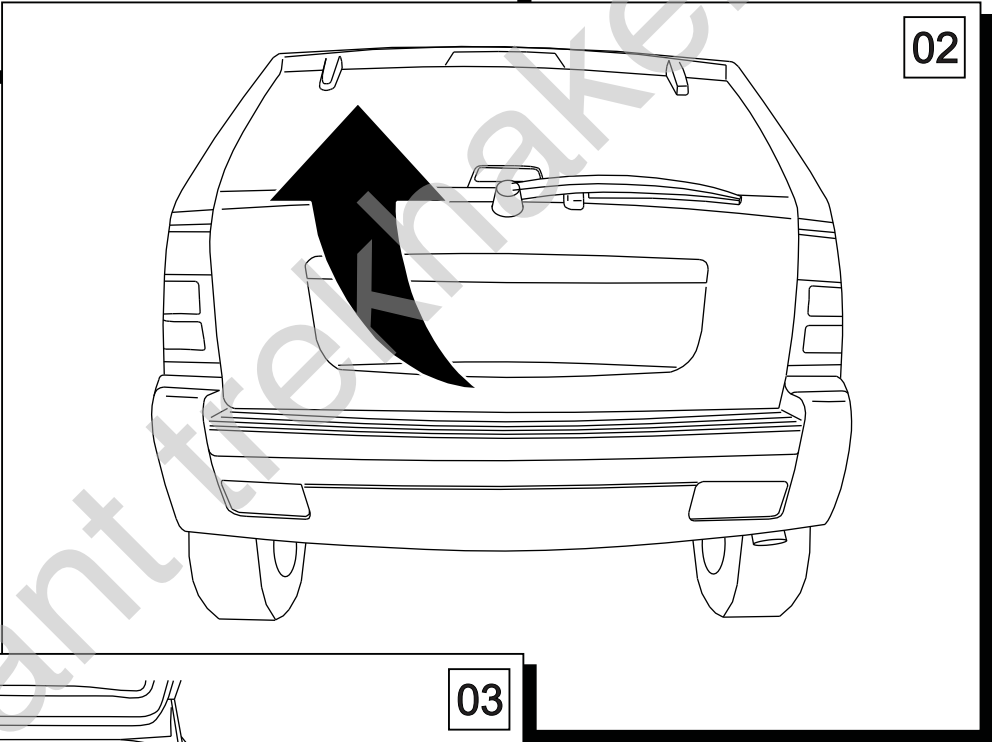
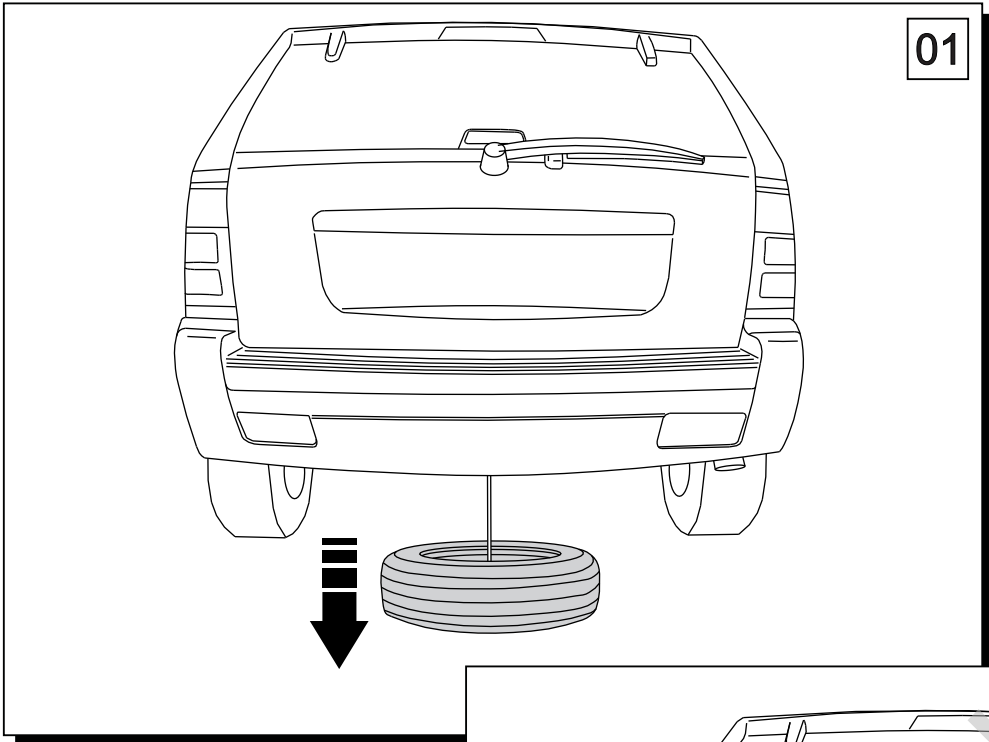
0 km →



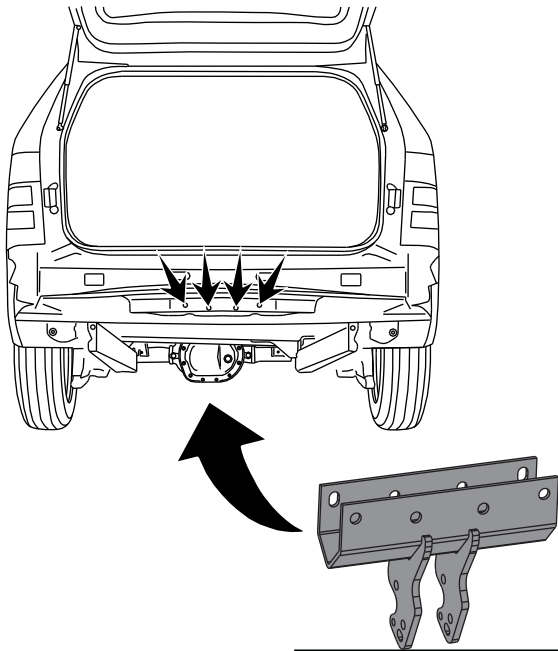
1000 km



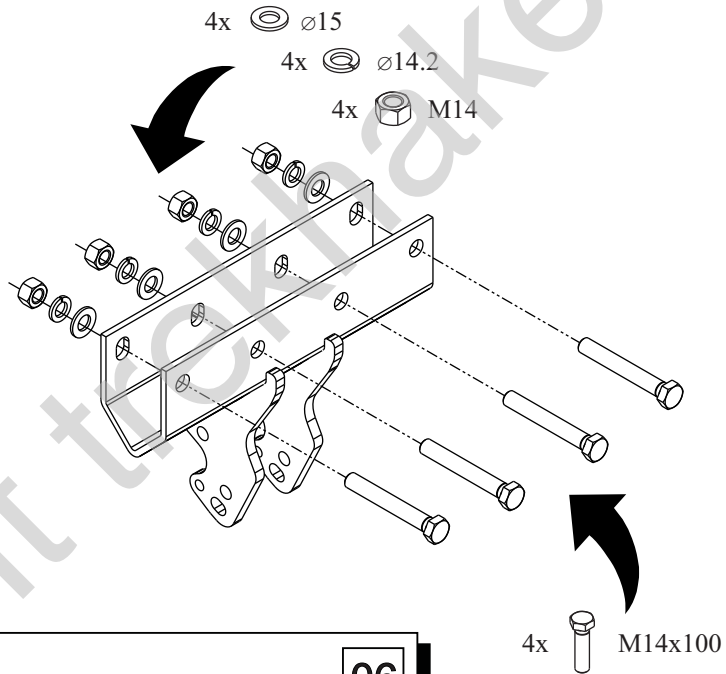
1		x1		4 M14x100	x4
2		x1		5 ø 15	x4
3		x1		6 ø 14.2	x4
	Art.nr-KL1JP06A			7 M14	x4
	Art.nr-BL1JP06A				



04



05



06



**TYLKO CHEROKEE**  
**ONLY CHEROKEE**  
**NUR CHEROKEE**

