

PPUH AUTO-HAK Sp.J.

Henryk i Zbigniew Nejman
ul. Słoneczna 16K 76-200 SŁUPSK
POLAND

tel/fax +48 59 8 414 414; +48 59 8 414 413

e-mail: office@autohak.com.pl

www.autohak.com.pl



AUTO-HAK

JEEP GRAND CHEROKEE (WJ/WG)

Cat. no:

JP04A



04.1999 → 05.2005

e20

e20*94/20*1018*00



2h

D

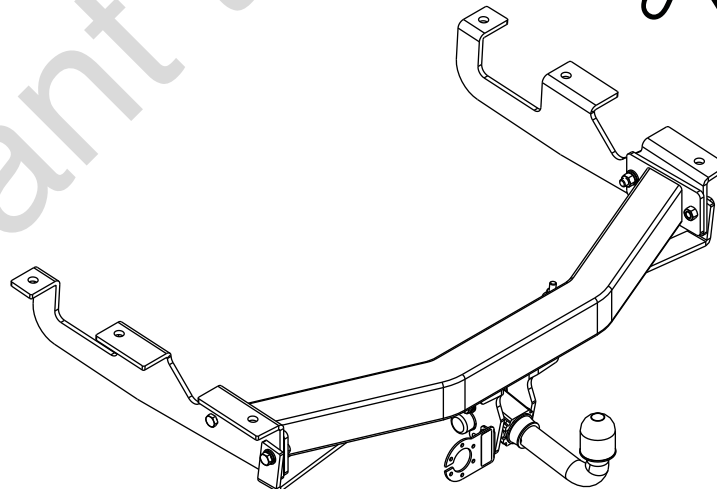
14,3 kN



R=3500 kg



S=140 kg



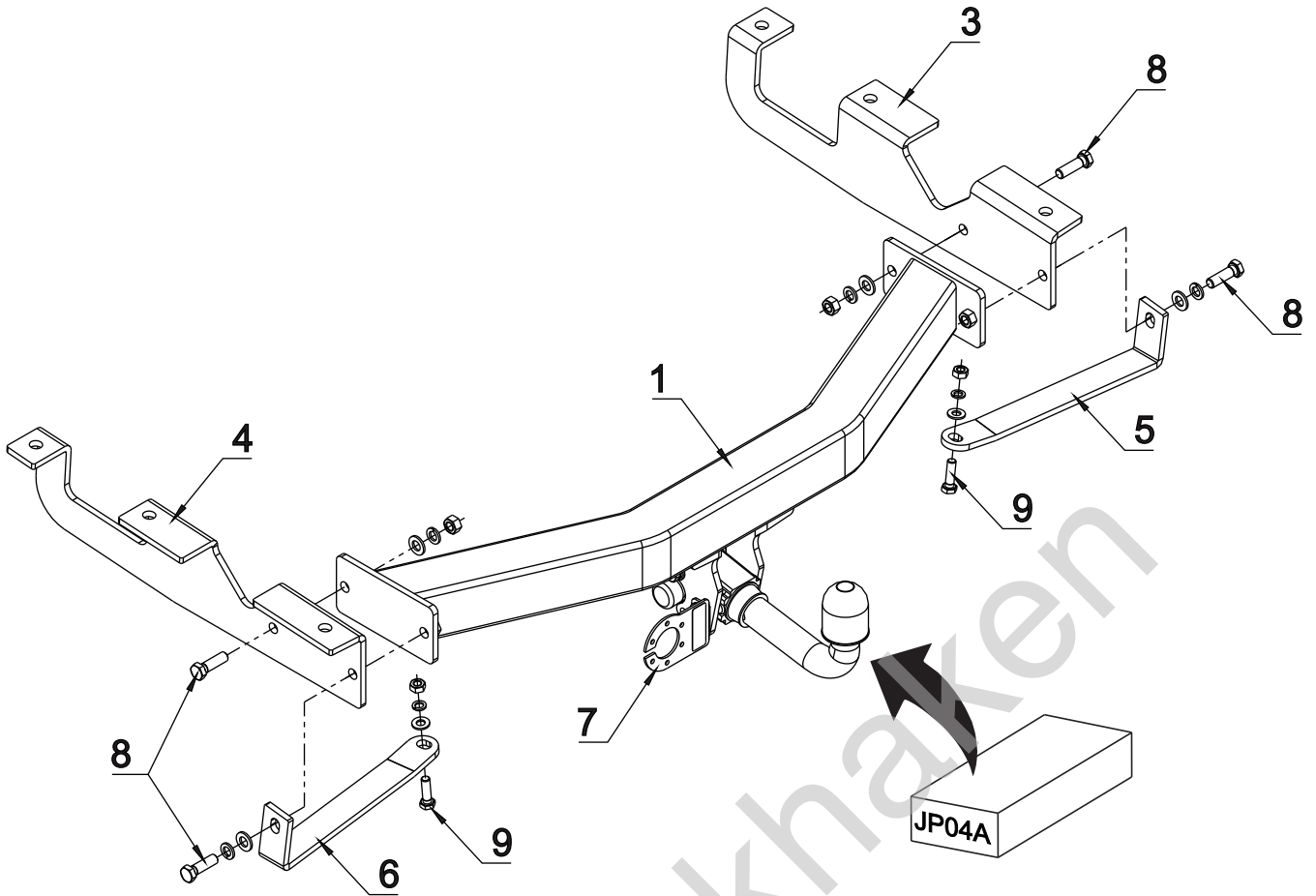
śruba	Nm	M6	M8	M10	M12	M14	M16
klasa 8.8		9,9	24	48	83	132	200
klasa 10.9		14	34	67	117	185	285

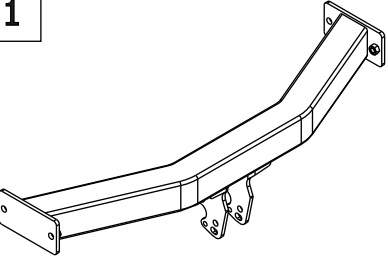

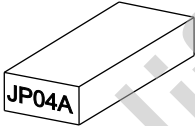

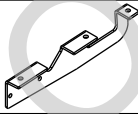
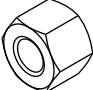
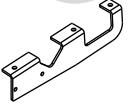
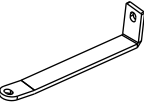
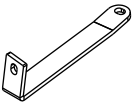
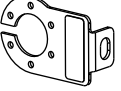


0 km →



1000 km



1		x1		8	M12x40	x4
				9	M10x35	x2
				10	∅ 13	x4
				11	∅ 10,5	x2
2		x1		12	∅ 12.2	x4
				13	∅ 10.2	x2
3		x1		14	M10	x2
4		x1				
5		x1				
6		x1				
7		x1	Art.nr-BL1JP04A			

