

**AUTO-HAK Sp. z o.o.**

ul. Słoneczna 16K 76-200 SŁUPSK  
POLAND

tel/fax +48 59 8 414 414; +48 59 8 414 413

e-mail: [office@autohak.com.pl](mailto:office@autohak.com.pl)

[www.autohak.com.pl](http://www.autohak.com.pl)




**AUTO-HAK**

**HYUNDAI  
SANTA FE (MX5,MY2024)**

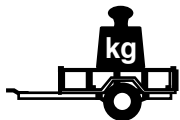
Nr kat.

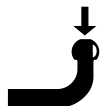
**J93A**

 **2024 →**

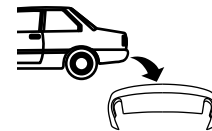
 **E20\*55R02\*6968**

**D 13,0 kN**

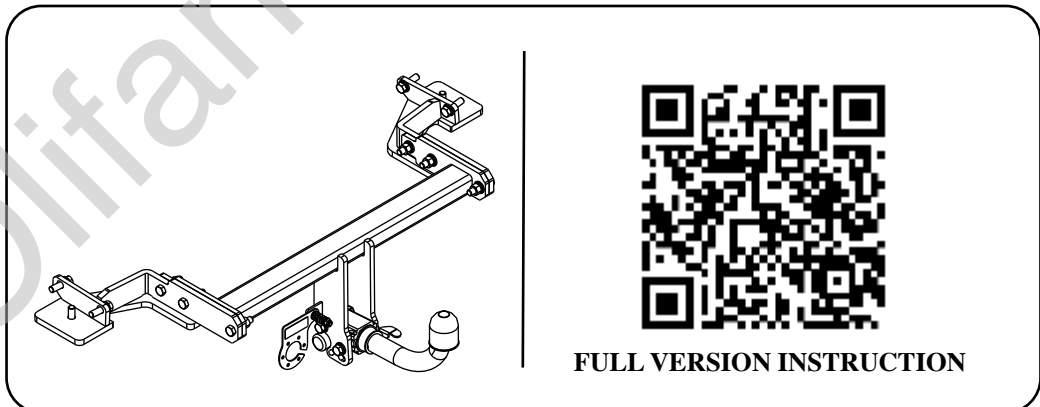
 **R=2500 kg**

 **S=100 kg**

 **1,5h**

 **-**



 **-**

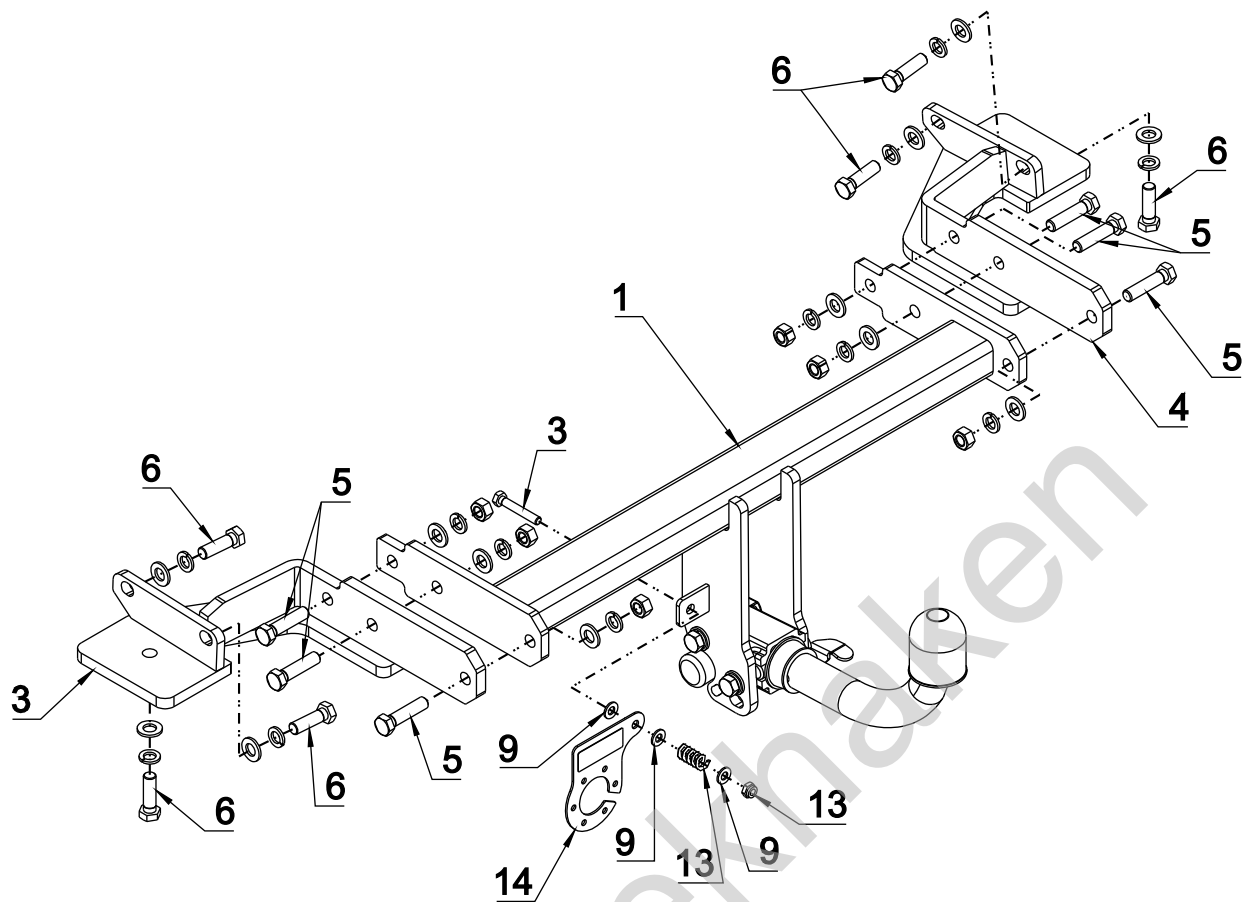


FULL VERSION INSTRUCTION

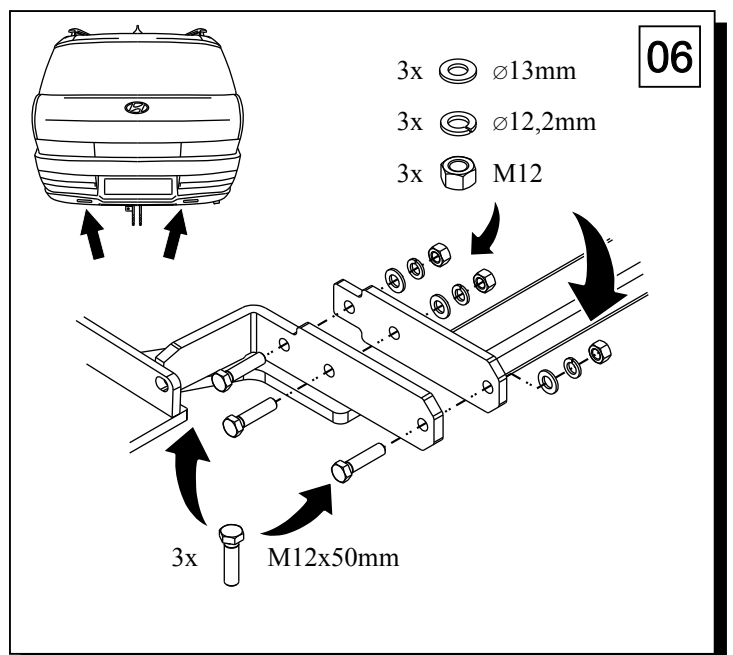
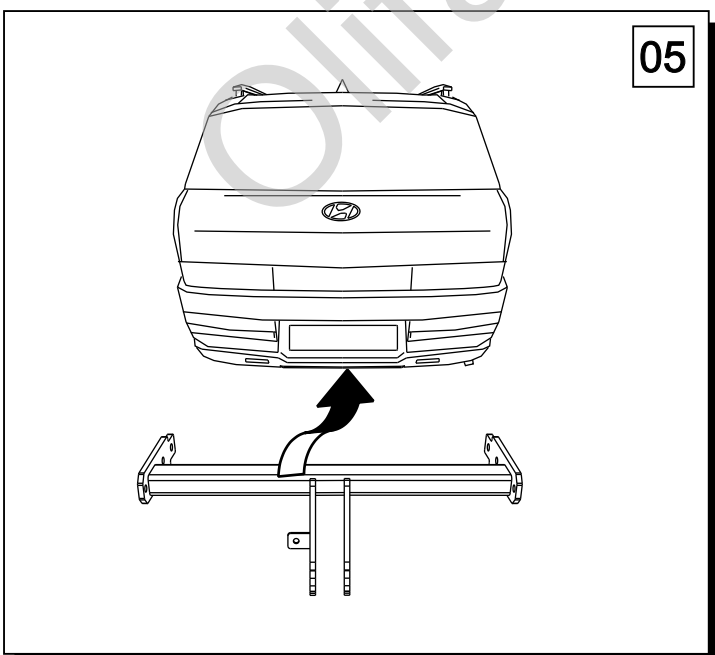
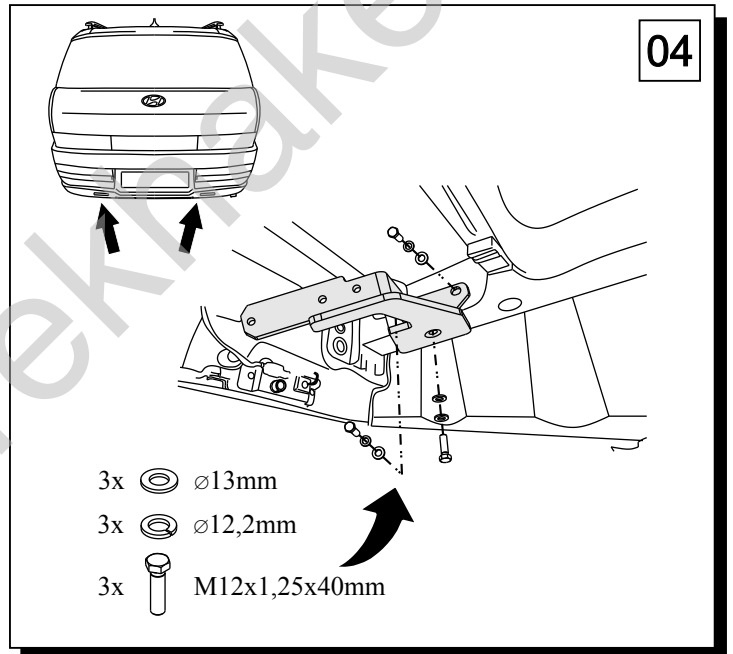
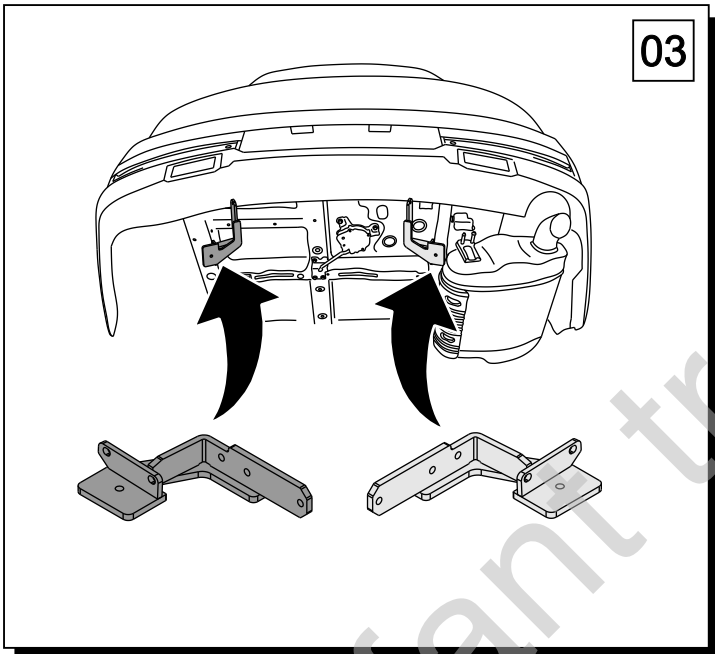
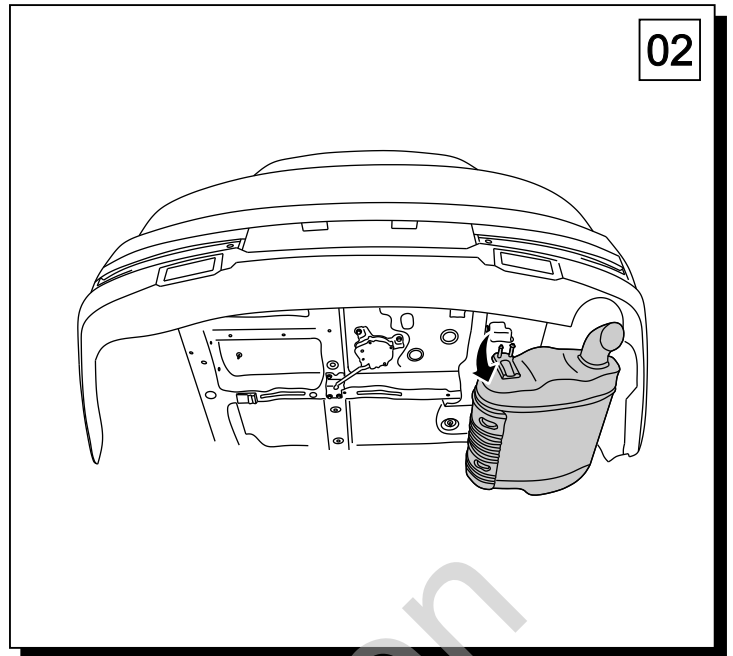
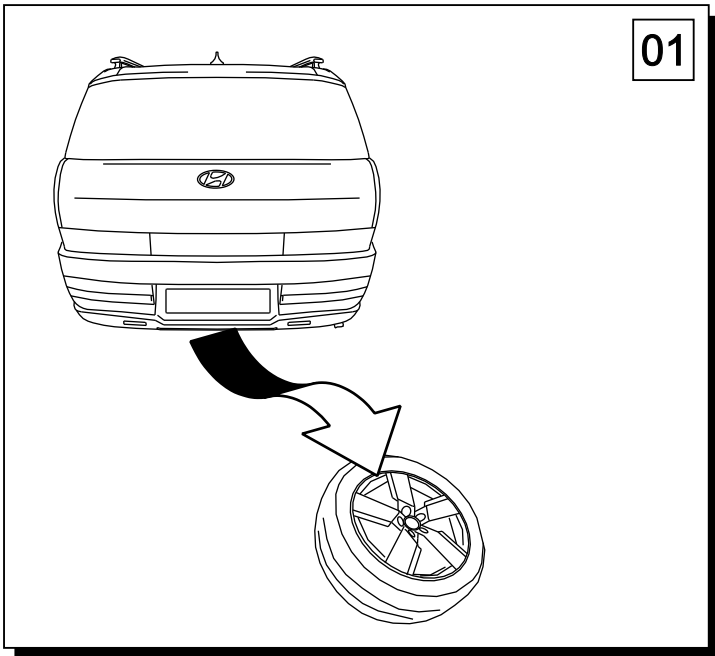


| śruba      | Nm | M6  | M8 | M10 | M12 | M14 | M16 |
|------------|----|-----|----|-----|-----|-----|-----|
| klasa 8.8  |    | 9,9 | 24 | 48  | 83  | 132 | 200 |
| klasa 10.9 |    | 14  | 34 | 67  | 117 | 185 | 285 |

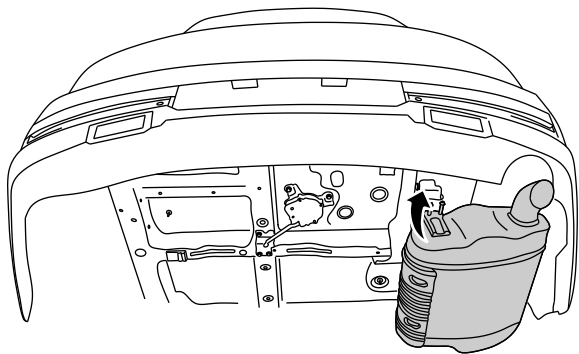
 **0 km →**  **1000 km**



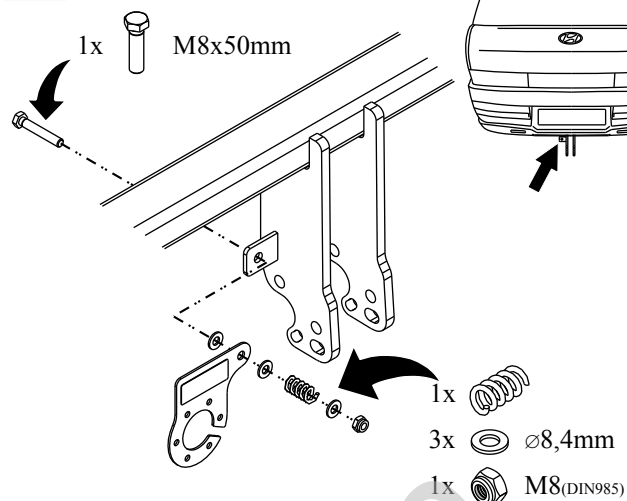
|   |    |  |    |             |     |
|---|----|--|----|-------------|-----|
| 1 | x1 |  | 5  | M12x50      | x6  |
|   |    |  | 6  | M12x1.25x40 | x6  |
| 2 | x1 |  | 7  | M8x50       | x1  |
|   |    |  | 8  | ∅ 13        | x12 |
|   |    |  | 9  | ∅ 8.4       | x3  |
|   |    |  | 10 | ∅ 12.2      | x12 |
| 3 | x1 |  | 11 | M12         | x6  |
|   |    |  | 12 | M8 (DIN985) | x1  |
| 4 | x1 |  | 13 |             | x1  |
|   |    |  | 14 |             | x1  |



07



08



09

