

AUTO-HAK Sp. z o.o.

ul. Słoneczna 16K 76-200 SŁUPSK
POLAND

tel/fax +48 59 8 414 414; +48 59 8 414 413

e-mail: office@autohak.com.pl

www.autohak.com.pl



AUTO-HAK

HYUNDAI TUCSON IV

- BENZYNA
- MILD HYBRID
- HYBRID
- STANDARD
- N-LINE

Nr kat.

J92



04.2024 →



2h



E20*55R02*6852



D

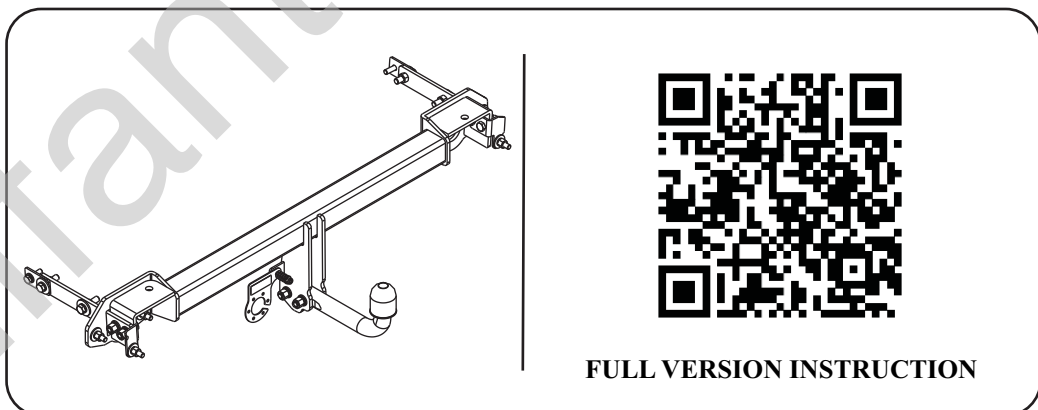
11,2 kN



R=2300 kg



S=140 kg



FULL VERSION INSTRUCTION



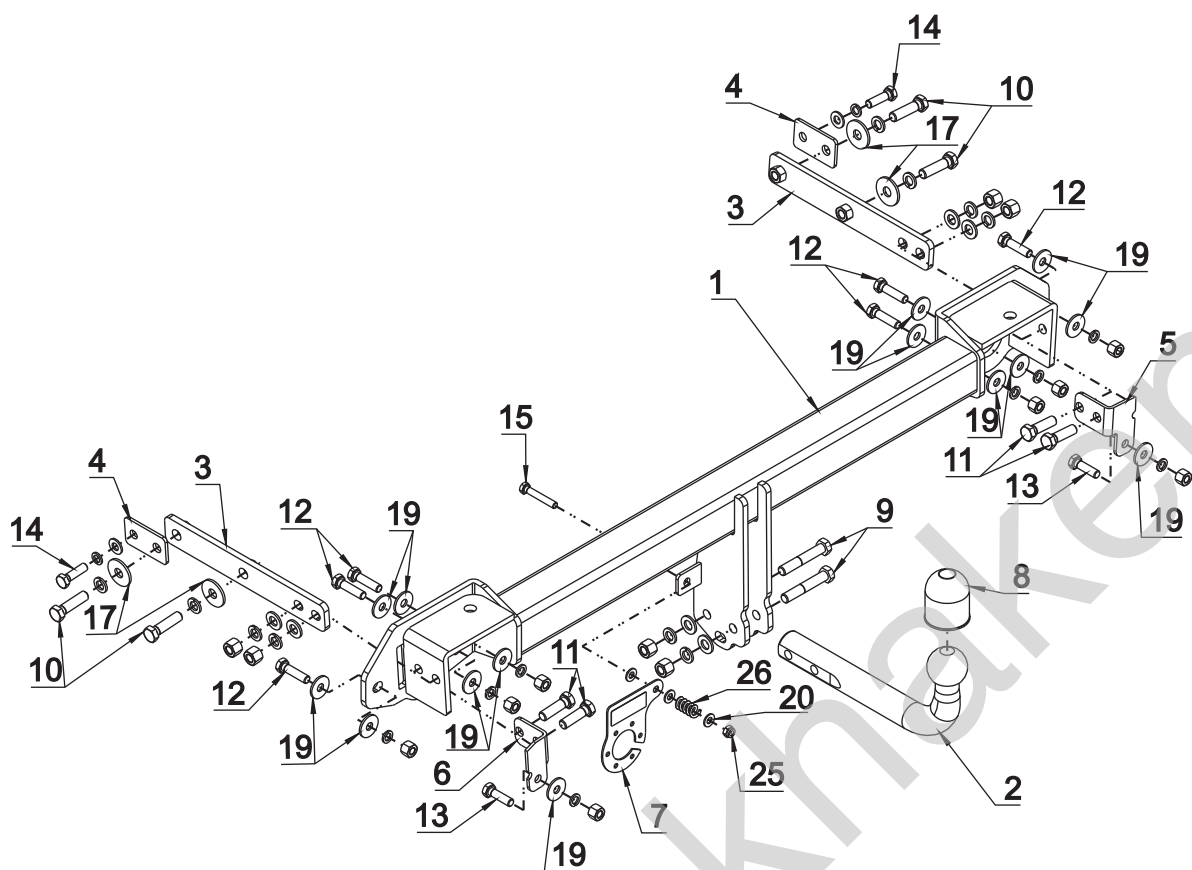
śruba	Nm	M6	M8	M10	M12	M14	M16
klasa 8.8		9,9	24	48	83	132	200
klasa 10.9		14	34	67	117	185	285

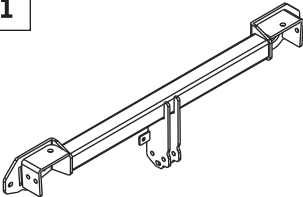

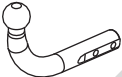
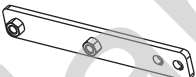




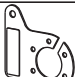







0 km →



1000 km

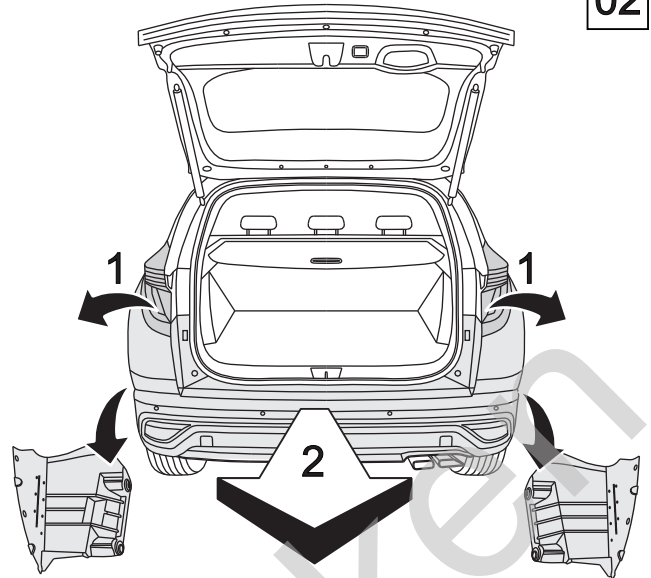


1		x1		9 M12x70	x2
				10 M12x45	x4
				11 M12x40	x4
				12 M10x40	x6
				13 M10x35	x2
2		x1		14 M10x1.25x35	x2
	Art.nr-KL1J92			15 M8x50	x1
3		x2		16 \varnothing 13	x6
4		x2		17 \varnothing 37x \varnothing 13x3 13 (DIN 9021)	x4
5		x1		18 \varnothing 10.5	x2
6		x1		19 \varnothing 30x \varnothing 10.5x2.5 10 (DIN 9021)	x14
7		x1		20 \varnothing 8.4	x3
	Art.nr-BL1J92			21 \varnothing 12.2	x10
				22 \varnothing 10.2	x10
8		x1		23 M12	x6
				24 M10	x8
				25 M8 (DIN985)	x1
				26	x1
					

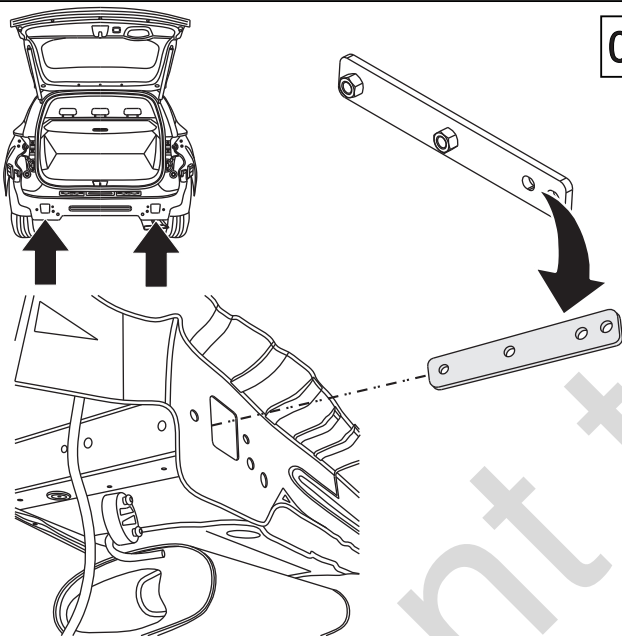
01



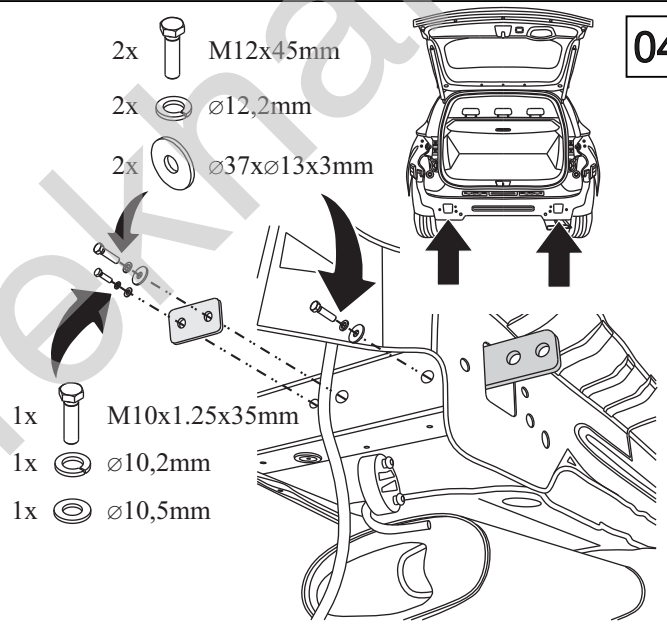
02



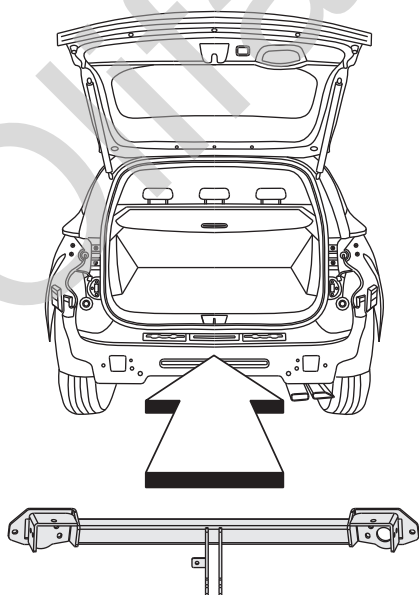
03



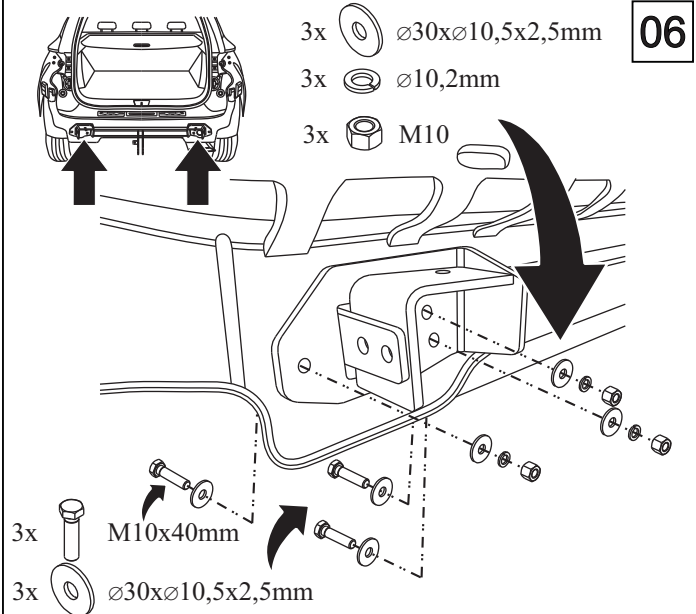
04



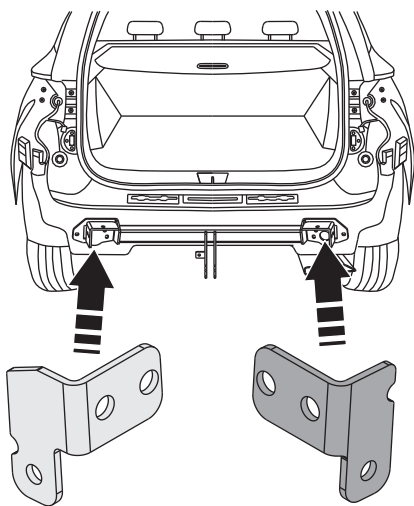
05



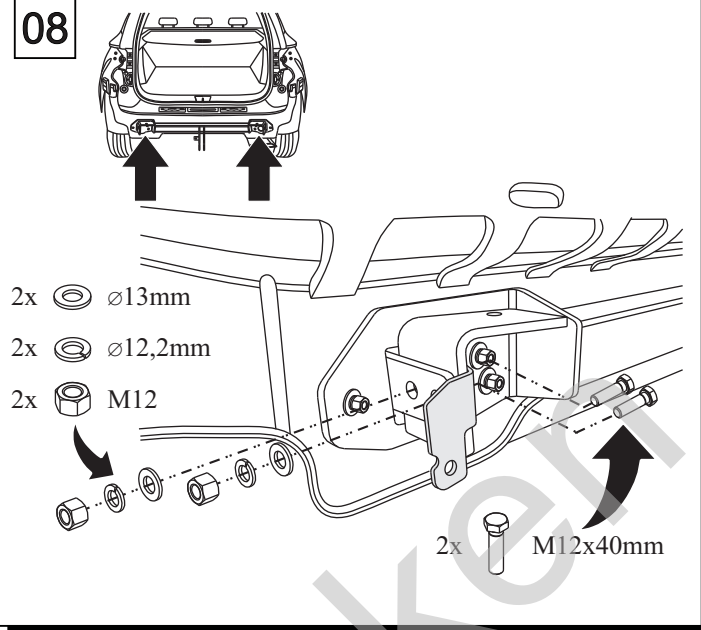
06



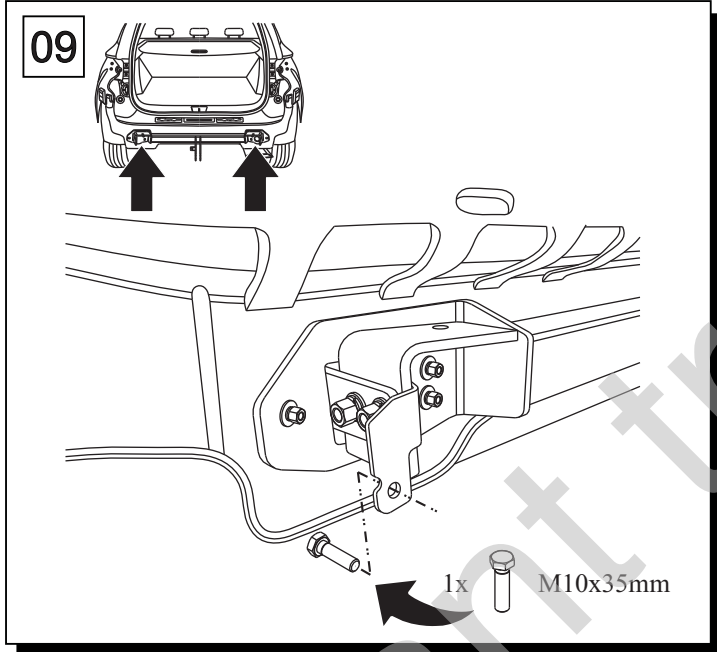
07



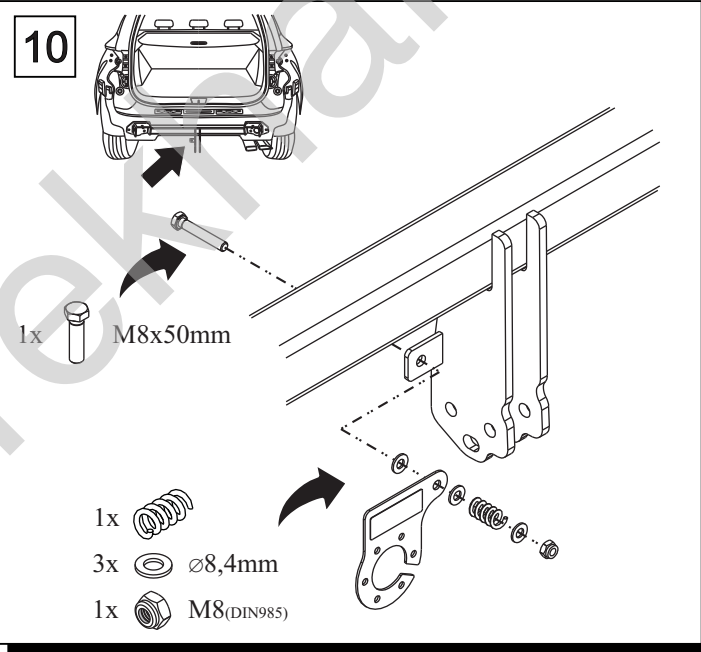
08



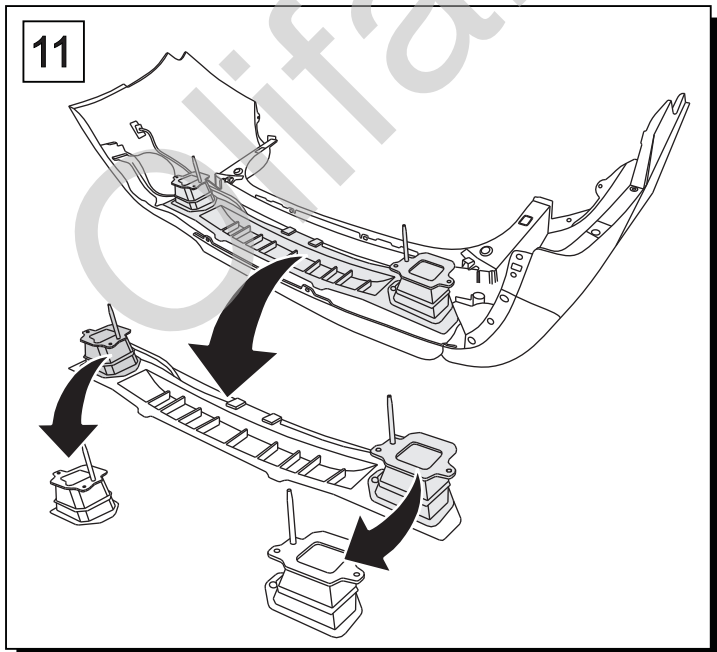
09



10



11



12

