

AUTO-HAK Sp. z o.o.

ul. Słoneczna 16K 76-200 SŁUPSK
POLAND

tel/fax +48 59 8 414 414; +48 59 8 414 413

e-mail: office@autohak.com.pl

www.autohak.com.pl




AUTO-HAK

HYUNDAI BAYON


Nr kat.


J89A

 03.2021 →

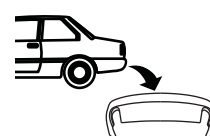
 E20*55R02*6461

D 7,3 kN

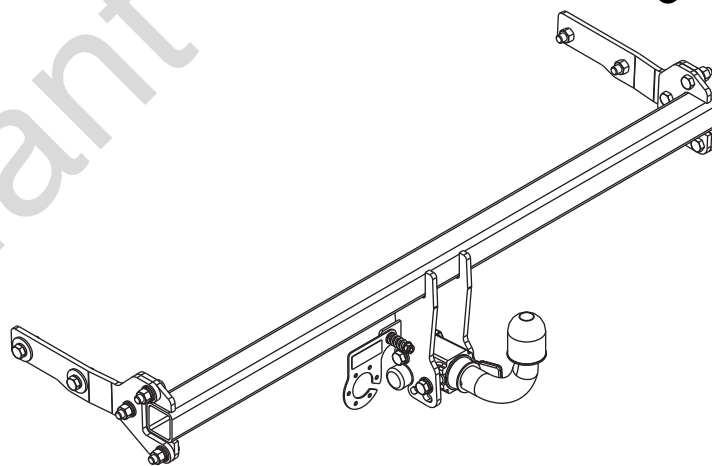
 **R=1250 kg**

 **S=80 kg**


 **2h**

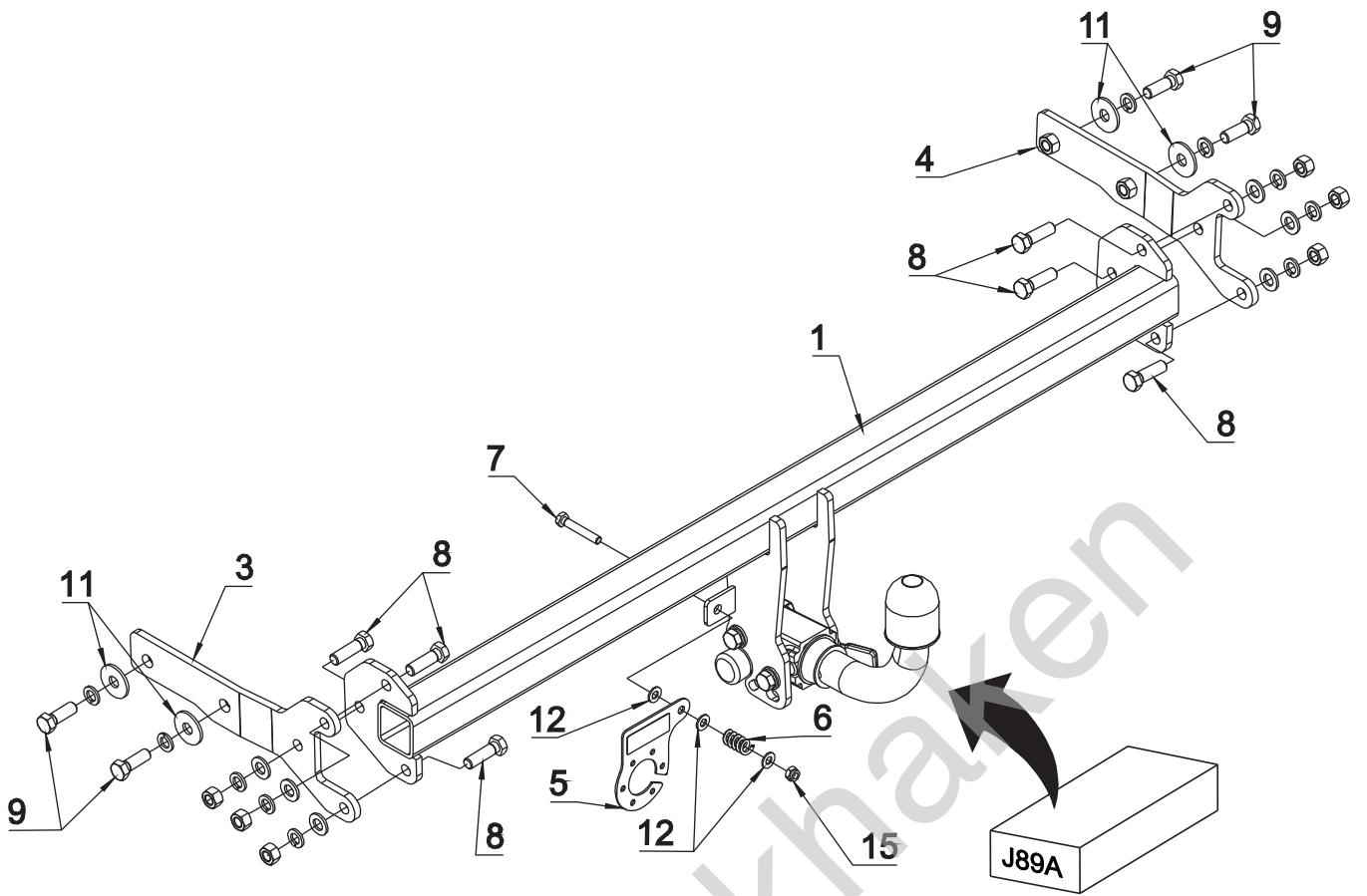


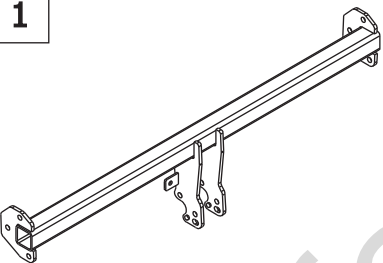

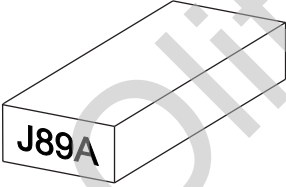

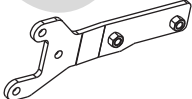

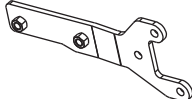

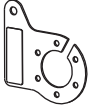

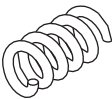








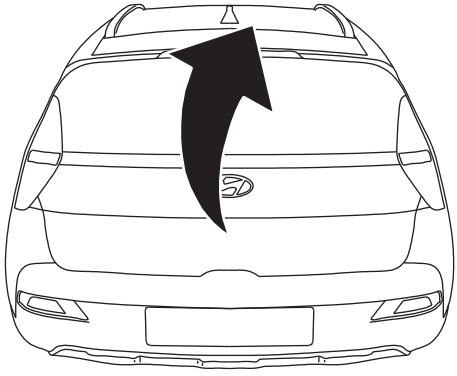
śruba	Nm	M6	M8	M10	M12	M14	M16
klasa 8.8		9,9	24	48	83	132	200
klasa 10.9		14	34	67	117	185	285

 0 km →  1000 km

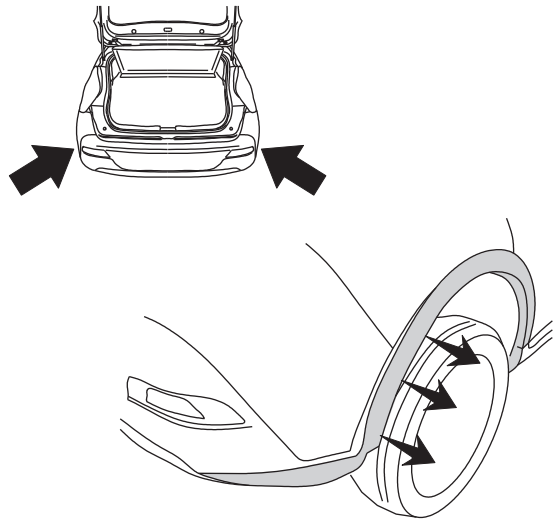


1		x1		7 M8x50	x1
2		x1		8 M12x40	x6
3		x1		9 M12x35	x4
4		x1		10 \varnothing 13	x6
5		x1		11 \varnothing 37x \varnothing 13x3 13 (DIN 9021)	6
6		x1		12 \varnothing 8.4	x3
				13 \varnothing 12.2	x10
				14 M12	x6
				15 M8 (DIN985)	x1

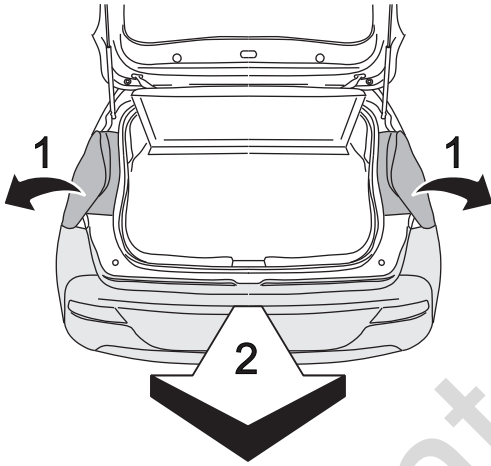
01



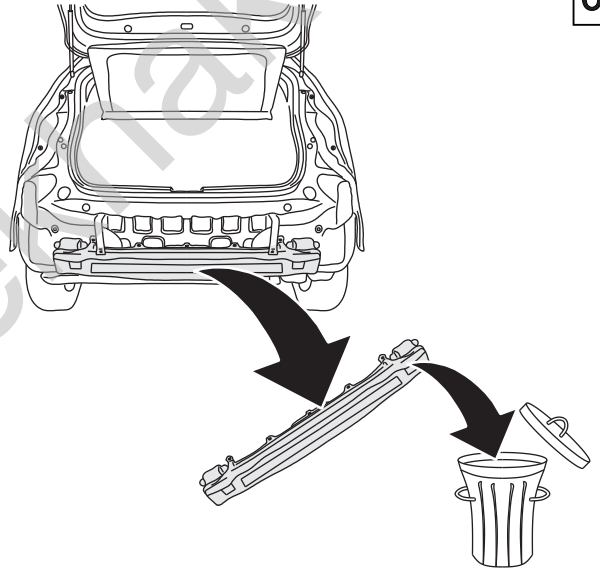
02



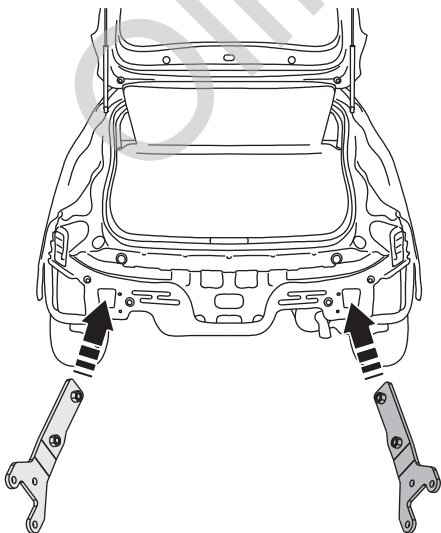
03



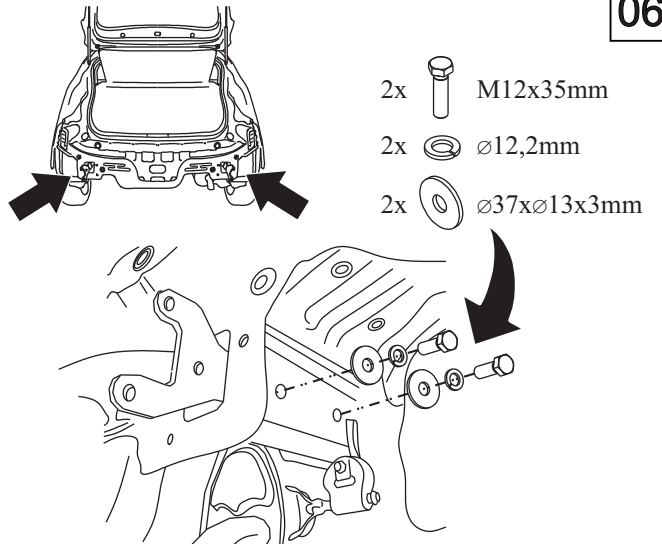
04



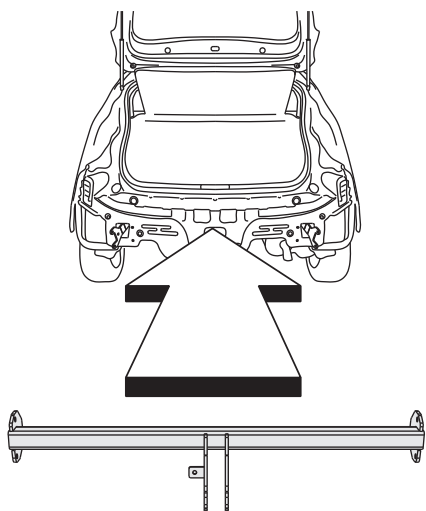
05



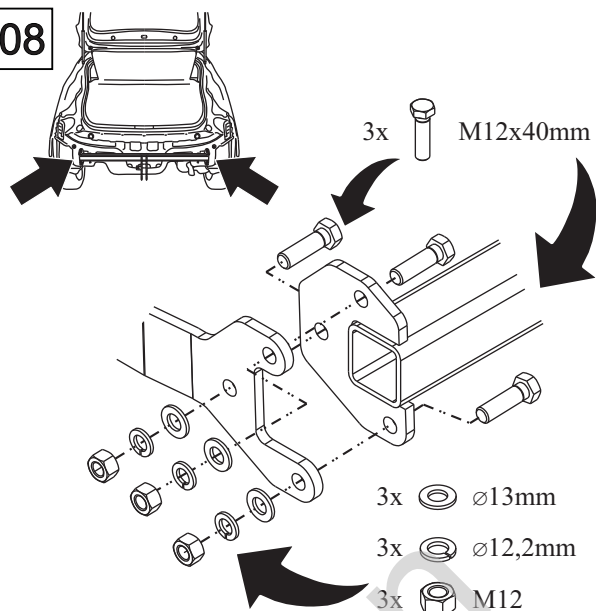
06



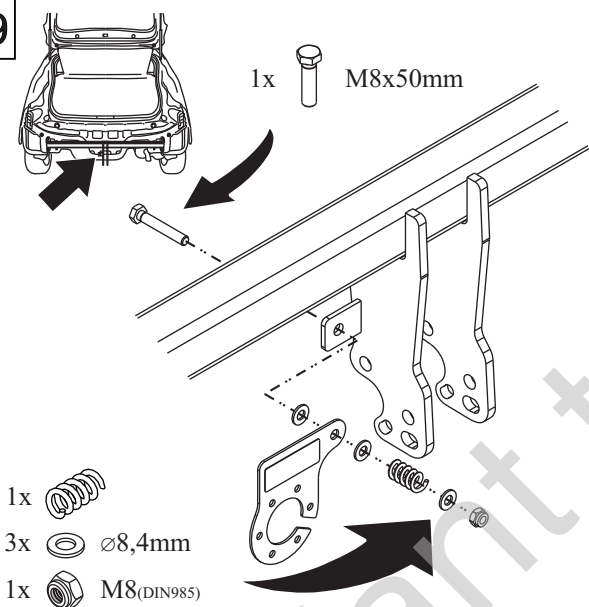
07



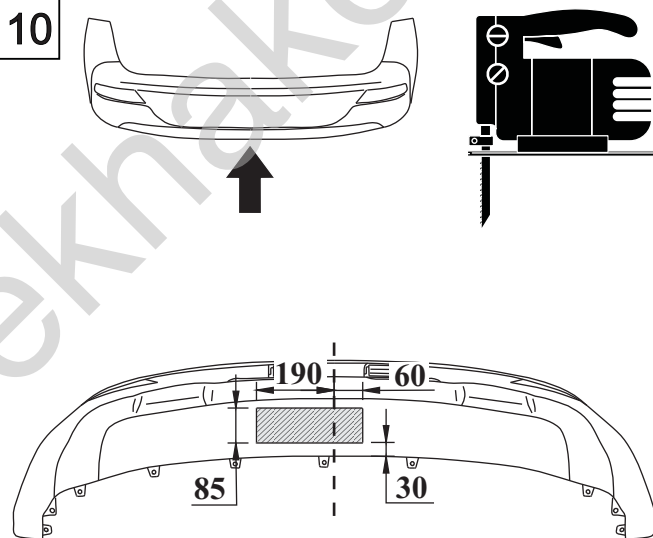
08



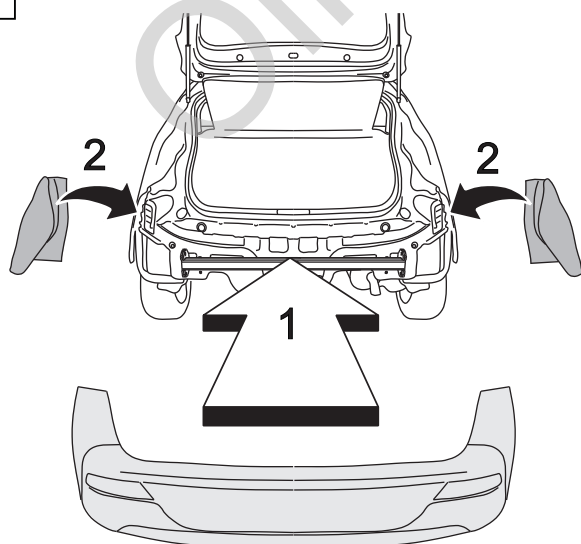
09



10



11



12

