

AUTO-HAK Sp. z o.o.

ul. Słoneczna 16K 76-200 SŁUPSK
POLAND

tel/fax +48 59 8 414 414; +48 59 8 414 413

e-mail: office@autohak.com.pl

www.autohak.com.pl



AUTO-HAK

HYUNDAI
SANTA FE IV Facelift
typ TM, TMA
(+AdBlue)

Nr kat.

J88A



10.2020 →



E20-55R-02 6294



12,8 kN



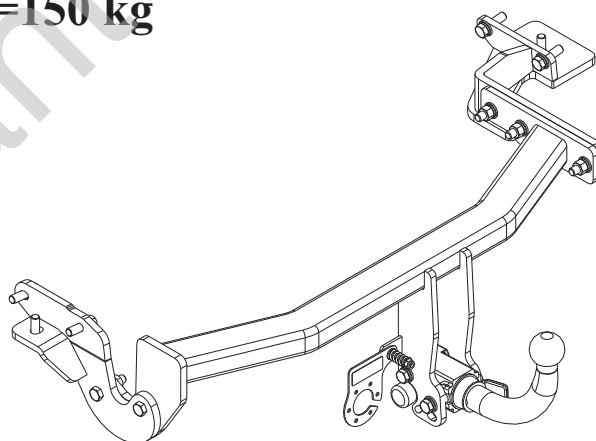
R=2500 kg



S=150 kg



2h



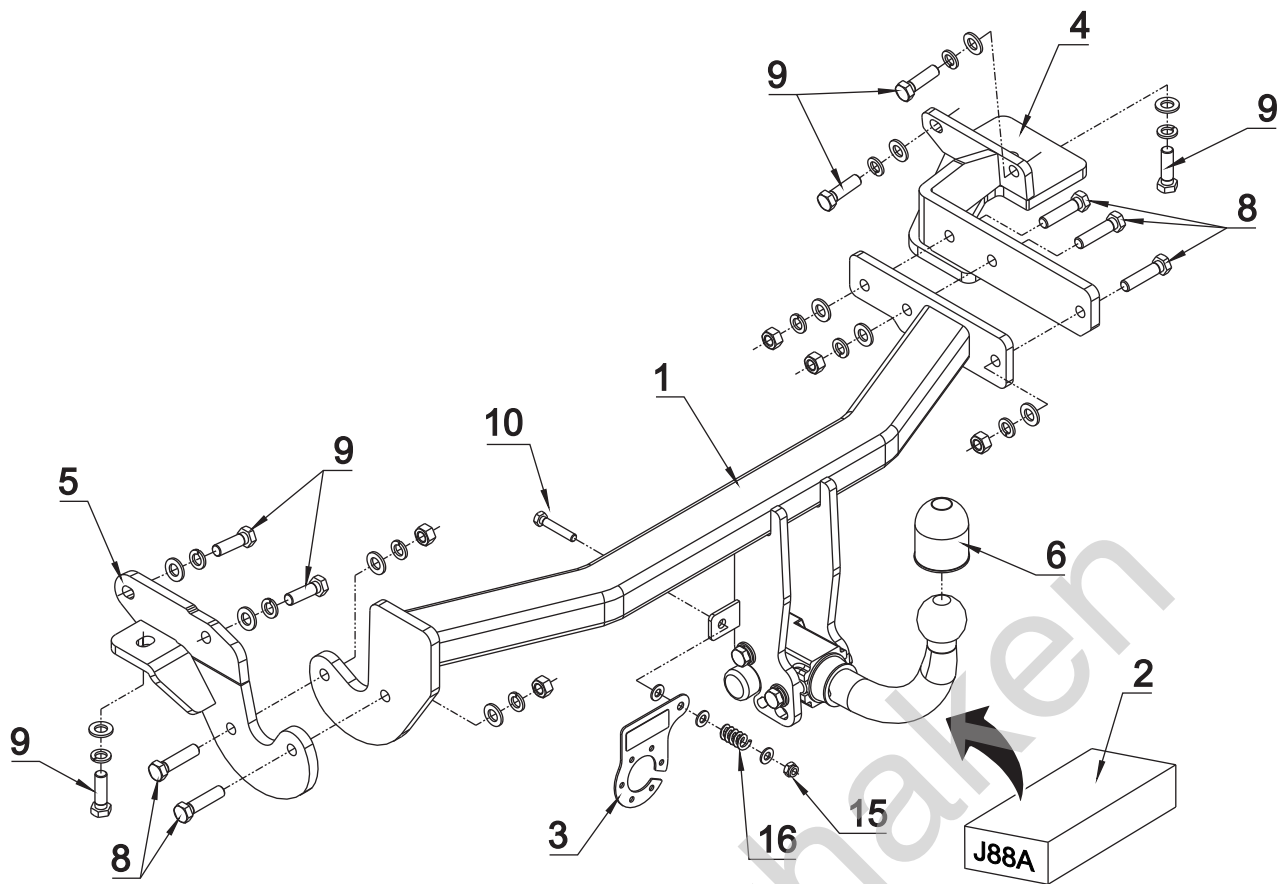
śruba	Nm	M6	M8	M10	M12	M14	M16
klasa 8.8		9,9	24	48	83	132	200
klasa 10.9		14	34	67	117	185	285

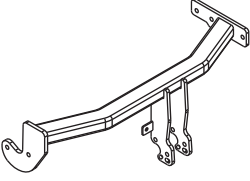

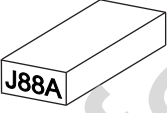





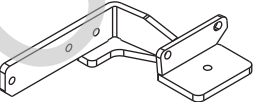
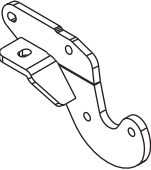




0 km →



1000 km



	x1		8	M12x50	x5	
			9	M12x1.25x40	x6	
			10	M8x50	x1	
			11	∅ 13	x13	
 Art.nr-KL1J88A	x1		12	∅ 8.4	x3	
				13	∅ 12.2	x13
					14	M12
 Art.nr-BL12J88A	x1		15	M 8 (DIN985)	x1	
	x1					
	x1					
	x1					
	x1					

