

AUTO-HAK Sp. z o.o.

ul. Słoneczna 16K 76-200 SŁUPSK

POLAND

tel/fax +48 59 8 414 414; +48 59 8 414 413

e-mail: office@autohak.com.pl

www.autohak.com.pl



AUTO-HAK

HYUNDAI i30 CW KOMBI

~~N-line~~

Cat. no:

J87A



06.2020 →



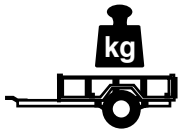
E20-55R-02 6141



2h

D

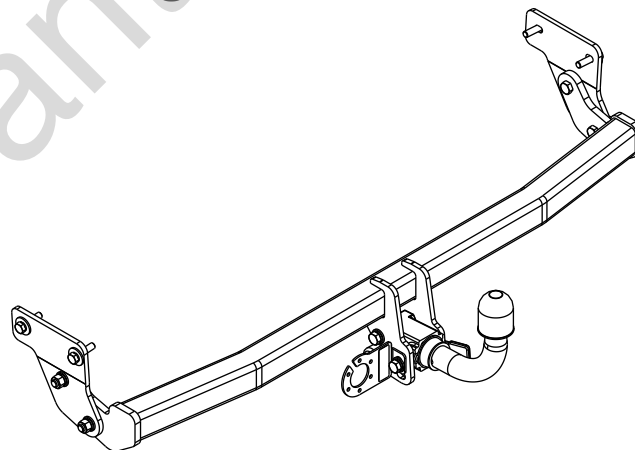
8,8 kN



R=1500 kg



S=80 kg



M6 - 8,5 Nm
M10 - 41 Nm
M14 - 112 Nm

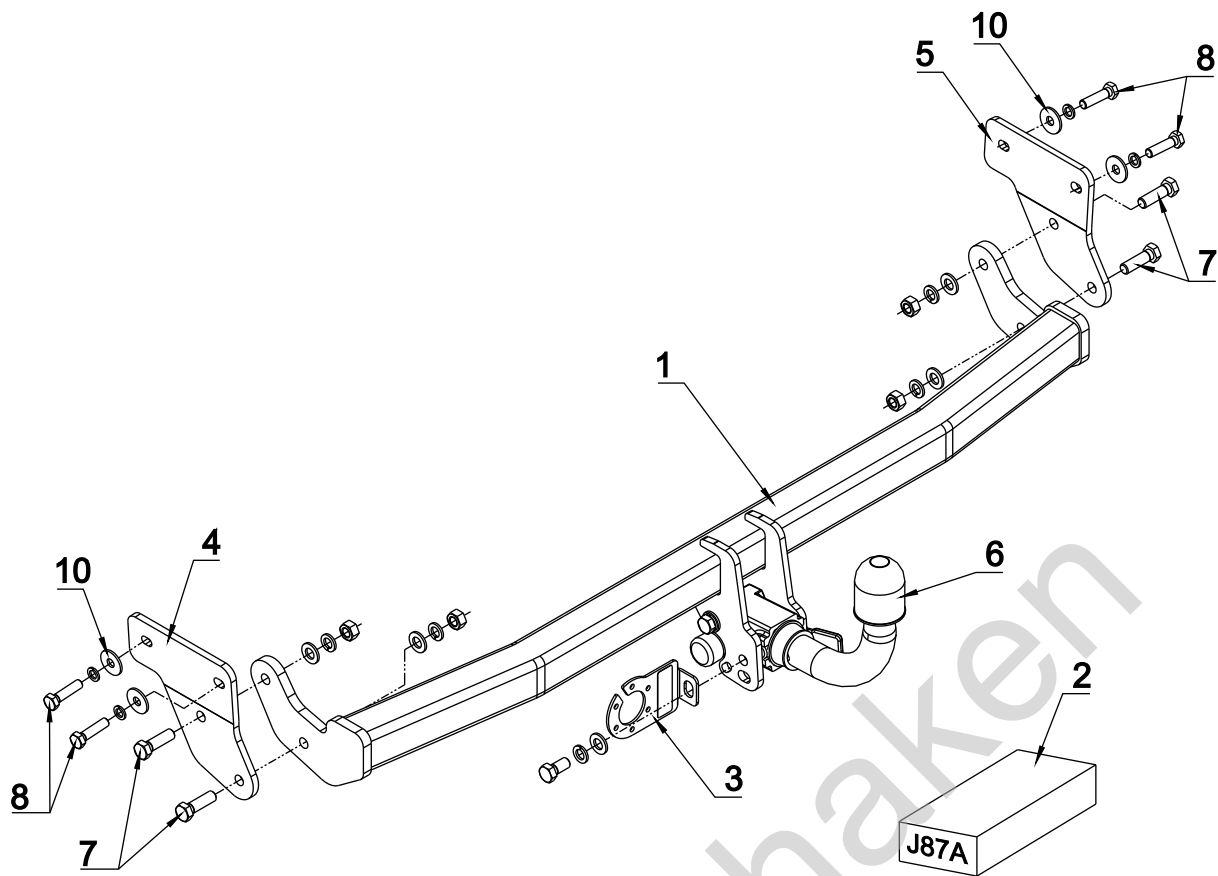
M8 - 20 Nm
M12 - 70 Nm
M16 - 170 Nm

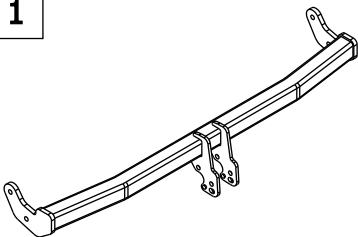


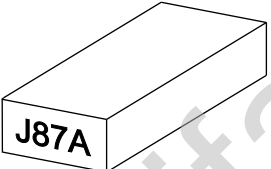


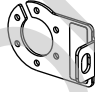
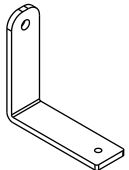
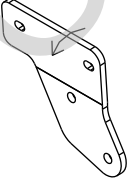
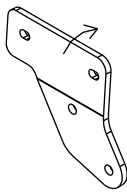



0 km →

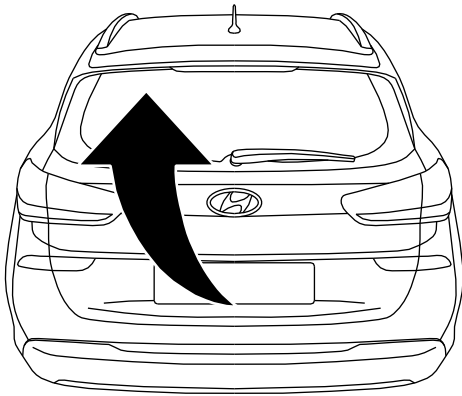


1000 km

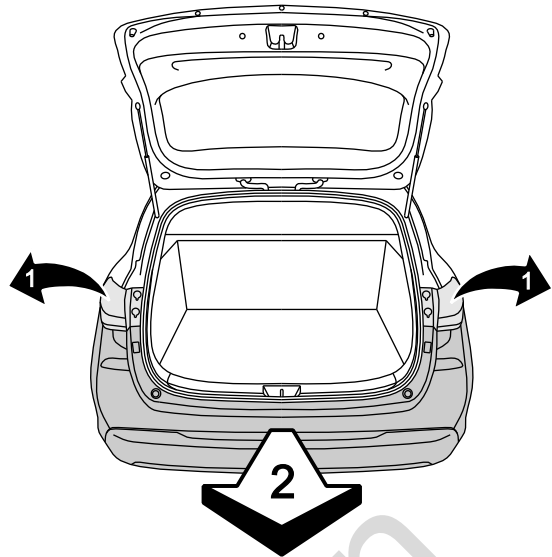


1 	x1	 	7 M12x40	x4
			8 M10x1.25x40	x4
			9 \varnothing 13	x4
			10 \varnothing 30x \varnothing 10.5x2.5 10 (DIN 9021)	x4
2 	x1	 	11 \varnothing 12.2	x4
			12 \varnothing 10.2	x4
			13 M12	x4
Art.nr-KL1J87A				
3 	x1	14		x2
Art.nr-BL2J87A				
4 	x1			
5 	x1			
6 	x1			

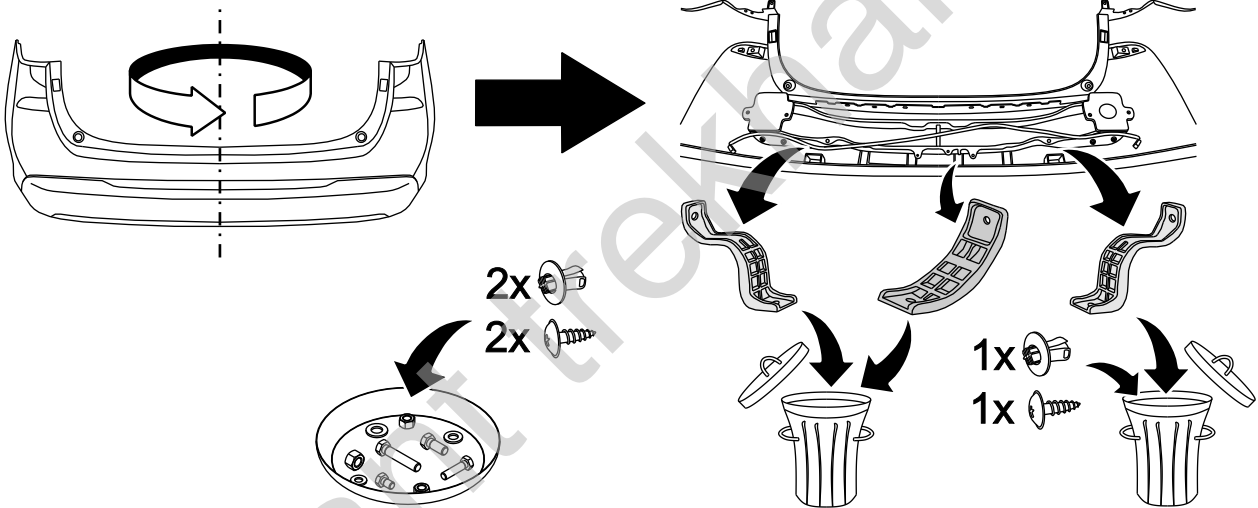
01



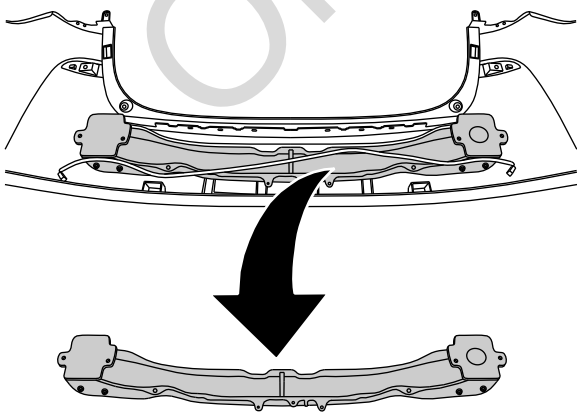
02



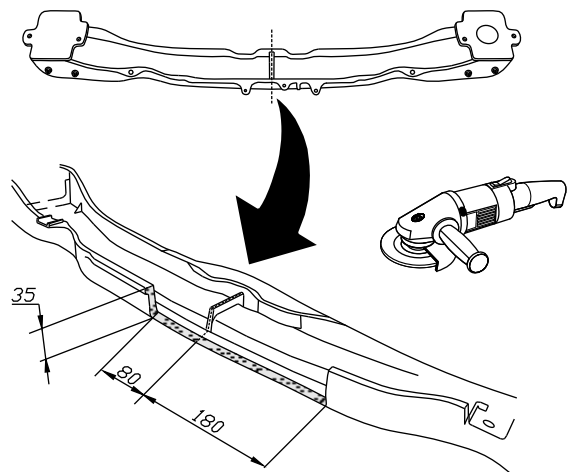
03



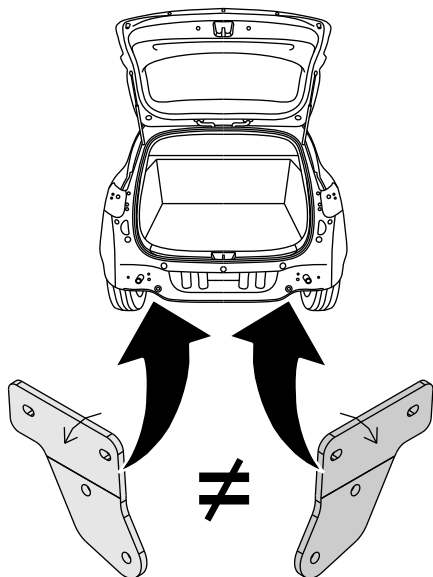
04



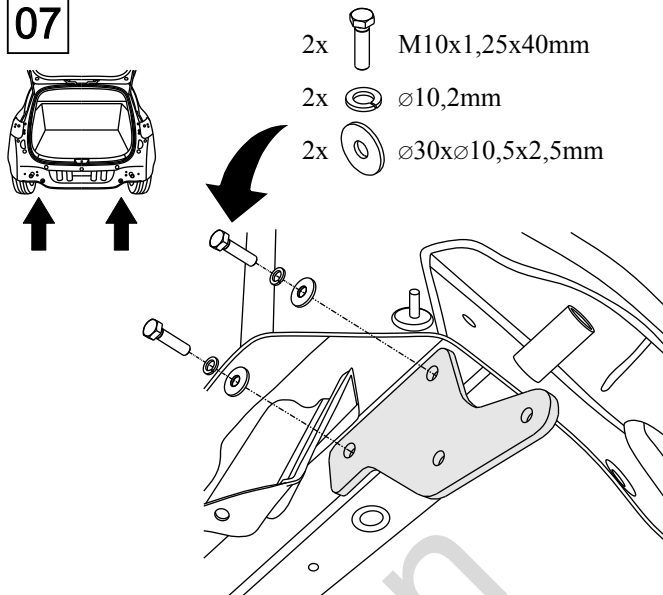
05



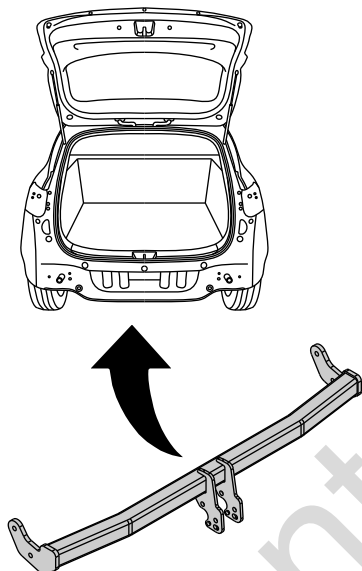
06



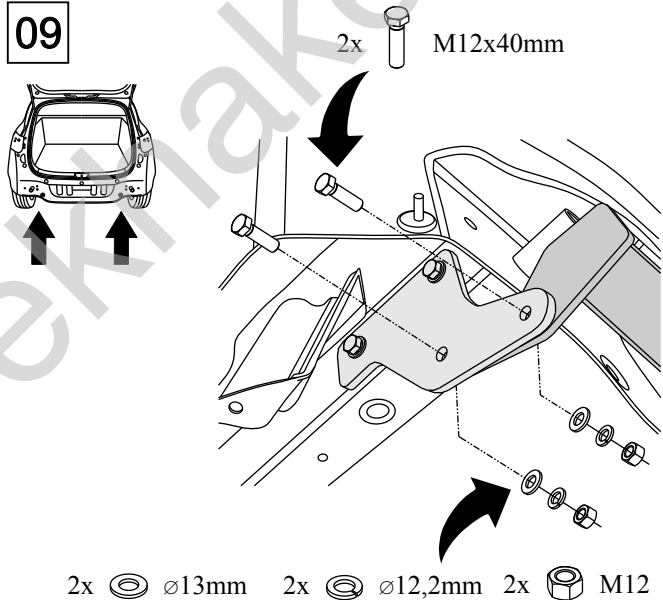
07



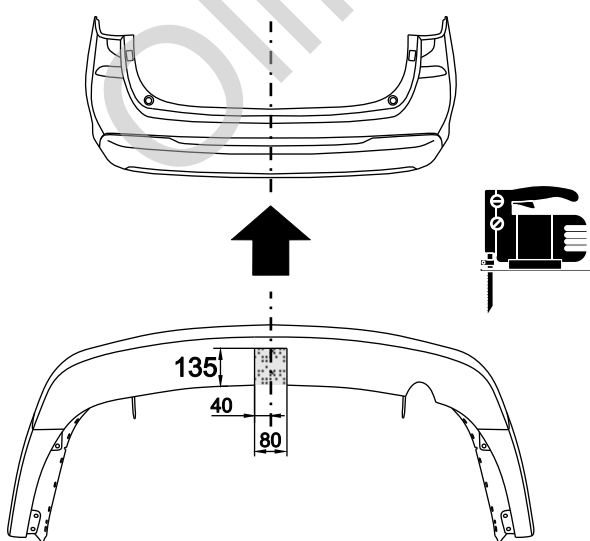
08



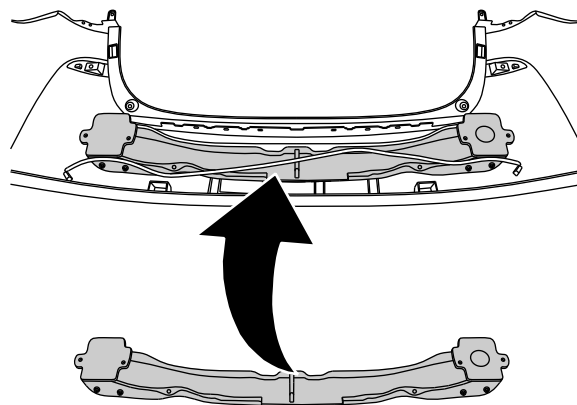
09

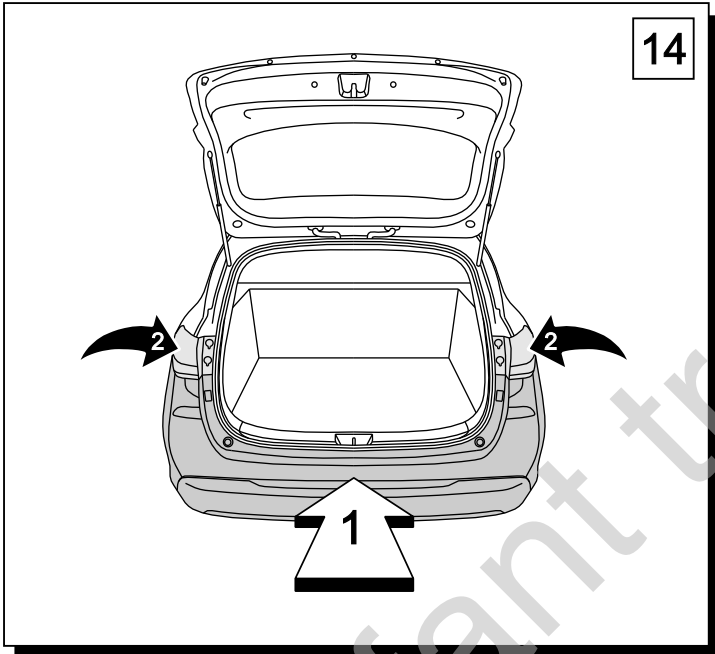
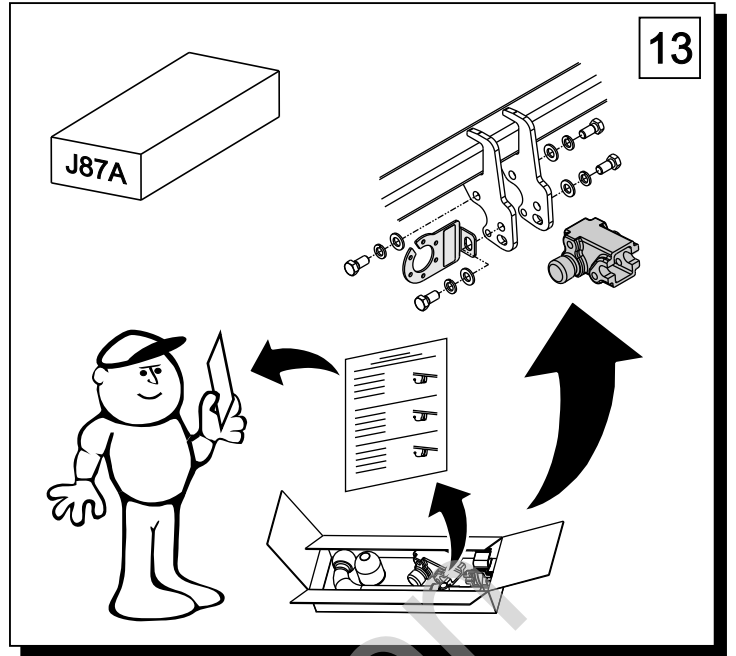
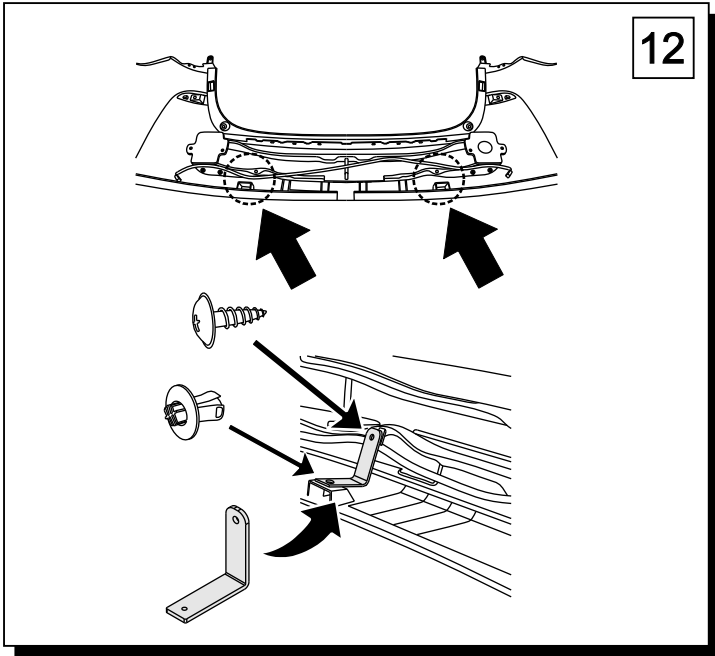


10



11





Olitant trekhaker

