

AUTO-HAK Sp. z o.o.

ul. Słoneczna 16K 76-200 SŁUPSK
POLAND

tel/fax +48 59 8 414 414; +48 59 8 414 413

e-mail: office@autohak.com.pl

www.autohak.com.pl



AUTO-HAK

HYUNDAI TUCSON

+ N Line

+ Hybrid

Nr kat.

J85A



11.2020 →



2h



E20-55R-02 6125



10,91 kN



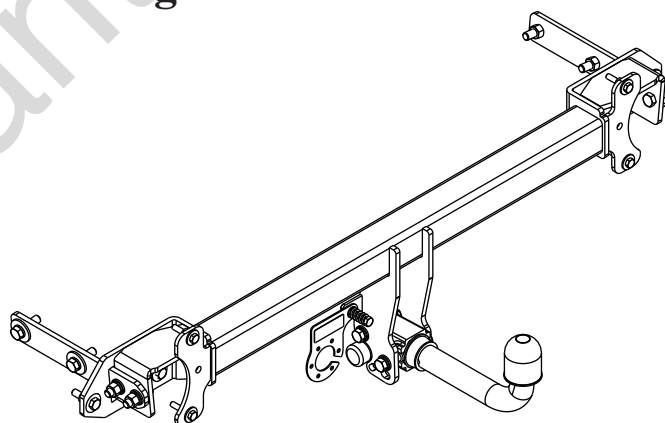
R=2200 kg



N Line



S=100 kg



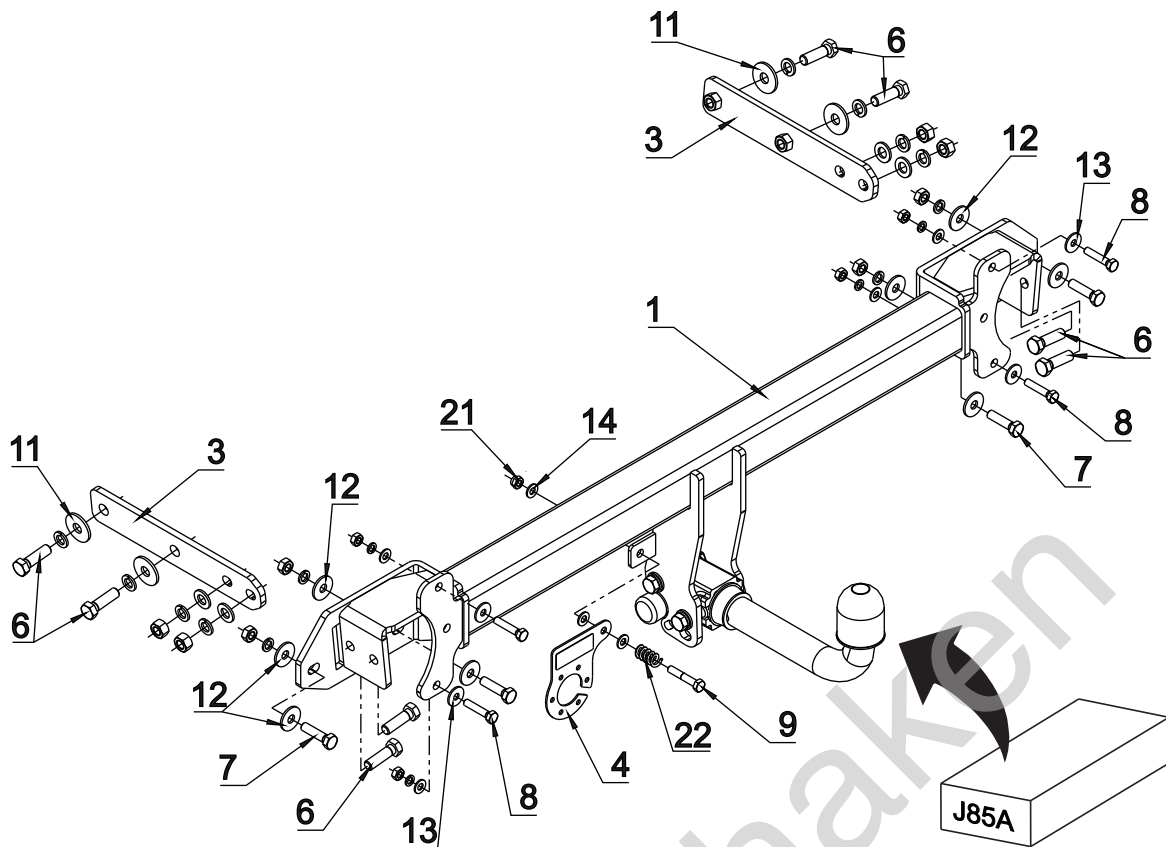
śruba	Nm	M6	M8	M10	M12	M14	M16
klasa 8.8		9,9	24	48	83	132	200
klasa 10.9		14	34	67	117	185	285

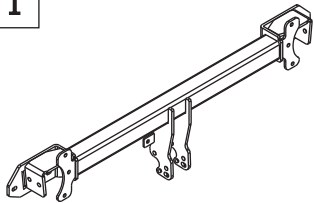

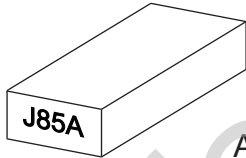












0 km →

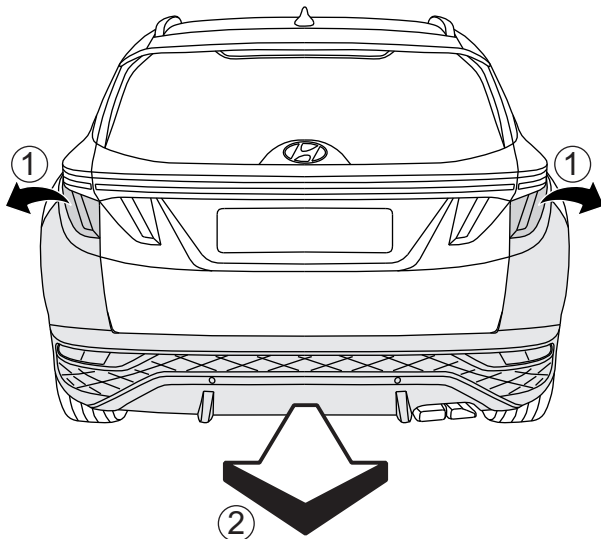


1000 km

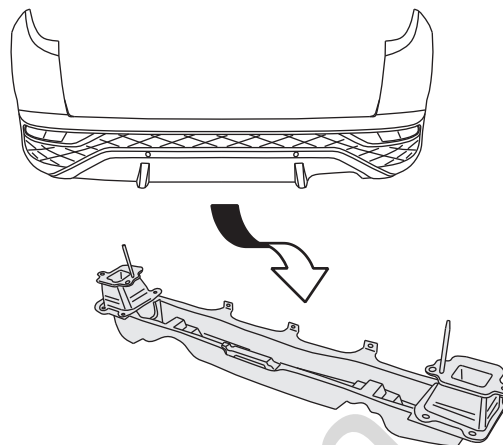


1		x 1		6 M12x40	x 8
2		x 1		7 M10x40	x 4
				8 M8x40	x 4
3		x 2		9 M8x45	x 1
				10 \varnothing 13	x 4
4		x 1		11 \varnothing 37x \varnothing 13x3 13 (DIN 9021)	x 4
				12 \varnothing 30x \varnothing 10.5x2.5 10 (DIN 9021)	x 8
5		x 1		13 \varnothing 24x \varnothing 8.5x2 8 (DIN 9021)	x 4
				14 \varnothing 8.4	x 7
				15 \varnothing 12.2	x 8
				16 \varnothing 10.2	x 4
				17 \varnothing 8.2	x 4
				18 M12	x 4
				19 M10	x 4
				20 M8	x 4
				21 M8 (DIN985)	x 1
22		x 1			

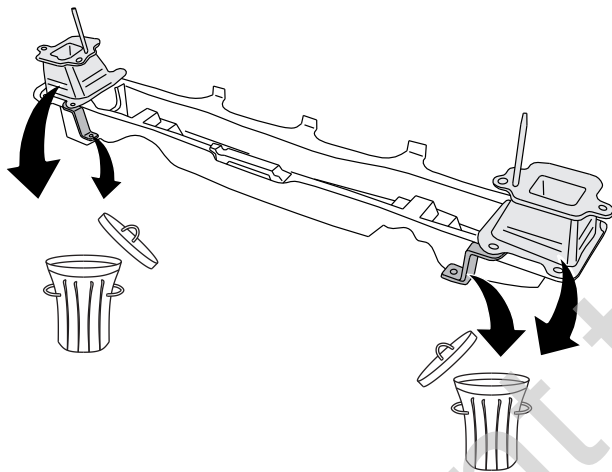
01



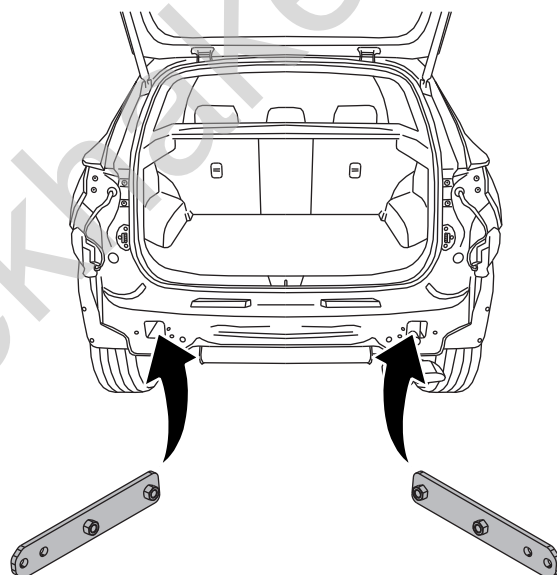
02



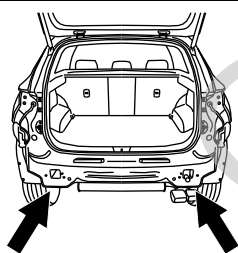
03






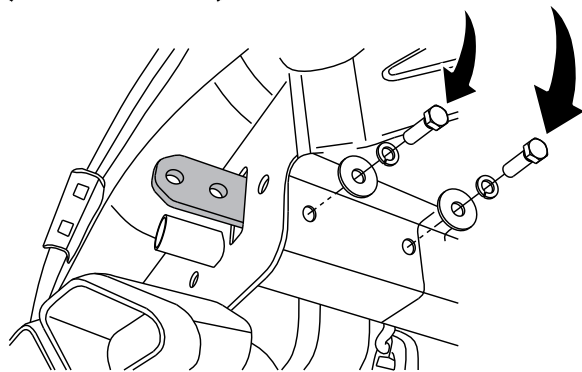
04



05



- 2x  M12x40mm
- 2x  $\varnothing 12,2\text{mm}$
- 2x  $\varnothing 37 \times 13 \times 3\text{mm}$



06

