

# AUTO-HAK Sp. z o.o.

ul. Słoneczna 16K 76-200 SŁUPSK  
POLAND

tel/fax +48 59 8 414 414; +48 59 8 414 413

e-mail: [office@autohak.com.pl](mailto:office@autohak.com.pl)

[www.autohak.com.pl](http://www.autohak.com.pl)




# AUTO-HAK

## HYUNDAI i40 4D, AdBlue


Cat. no:


**J84A**

 10.2018 →

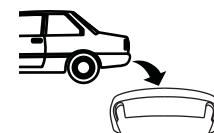
 **E20** E20-55R-01 5802

**D** 9,91 kN

 **R=1800 kg**

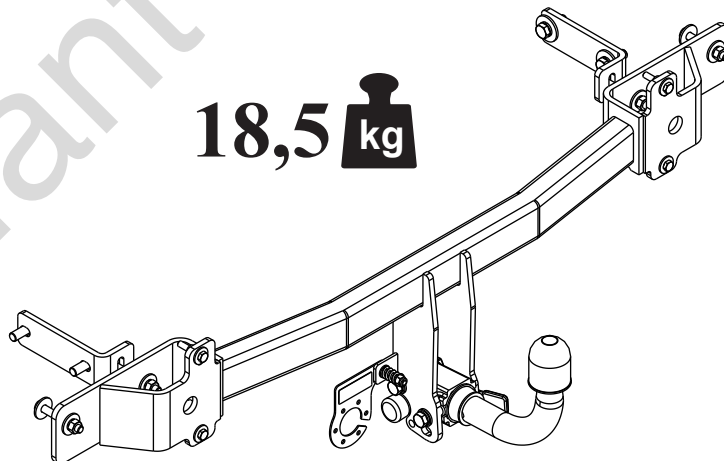
 **S=85 kg**

 **2h**



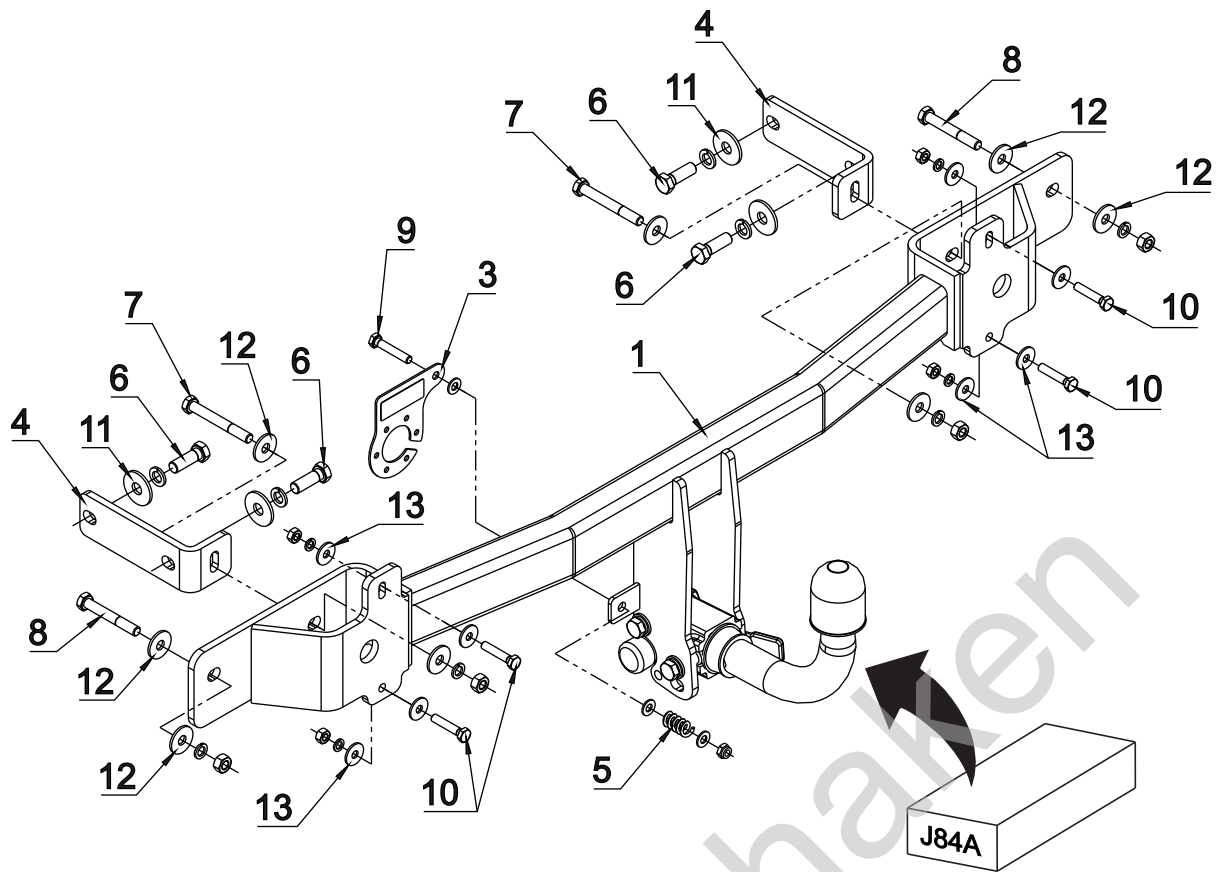


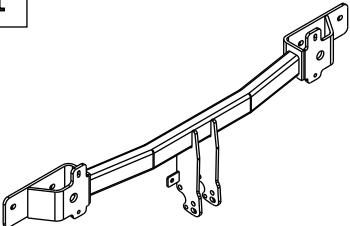

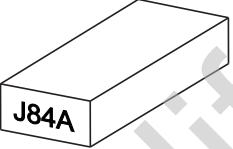



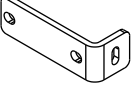





**18,5 kg** 

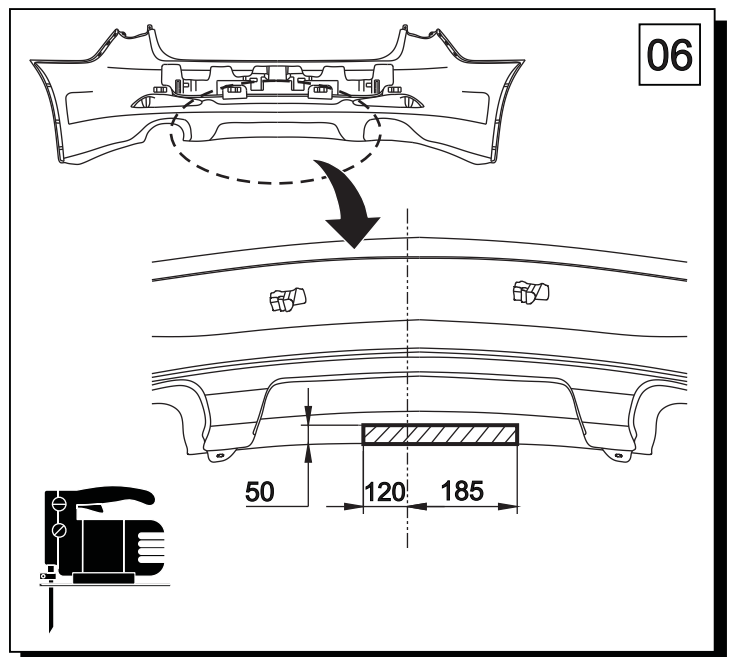
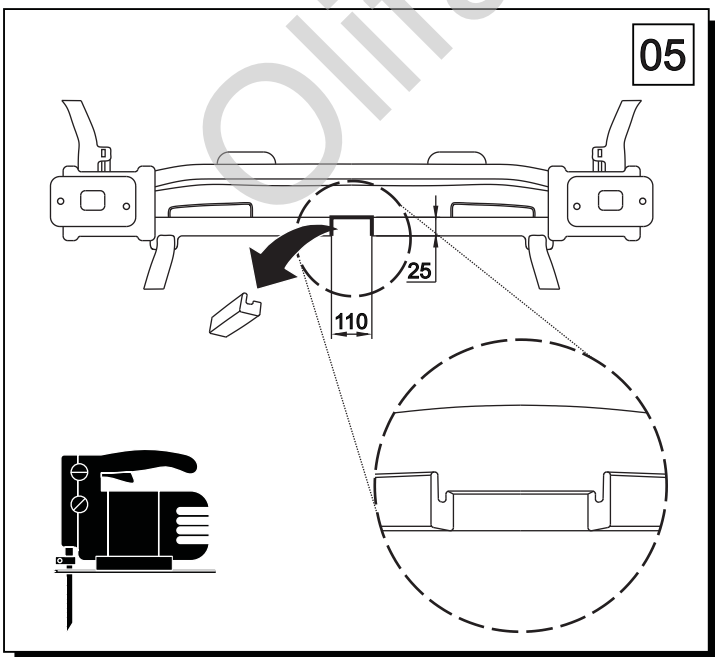
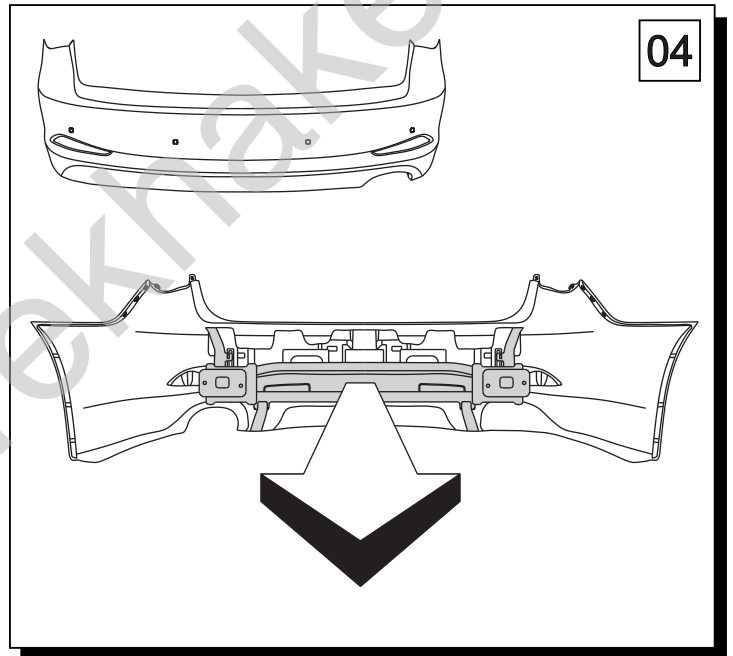
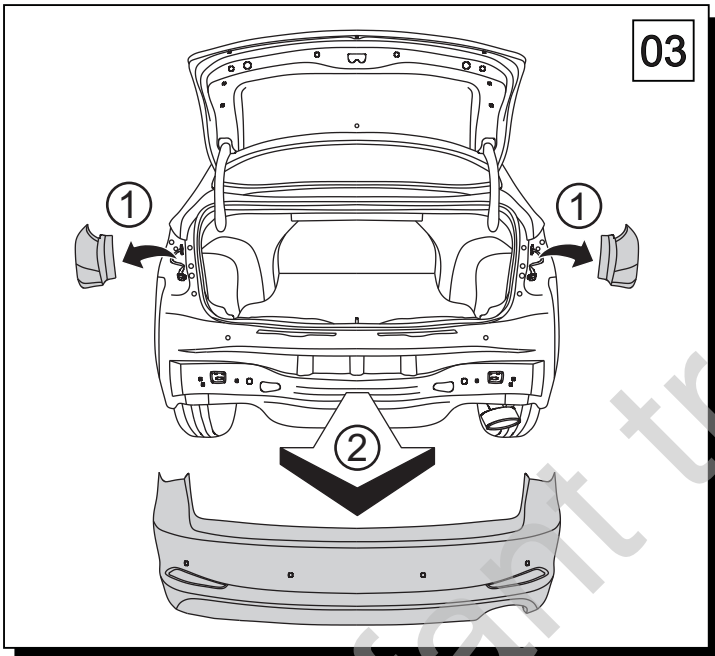
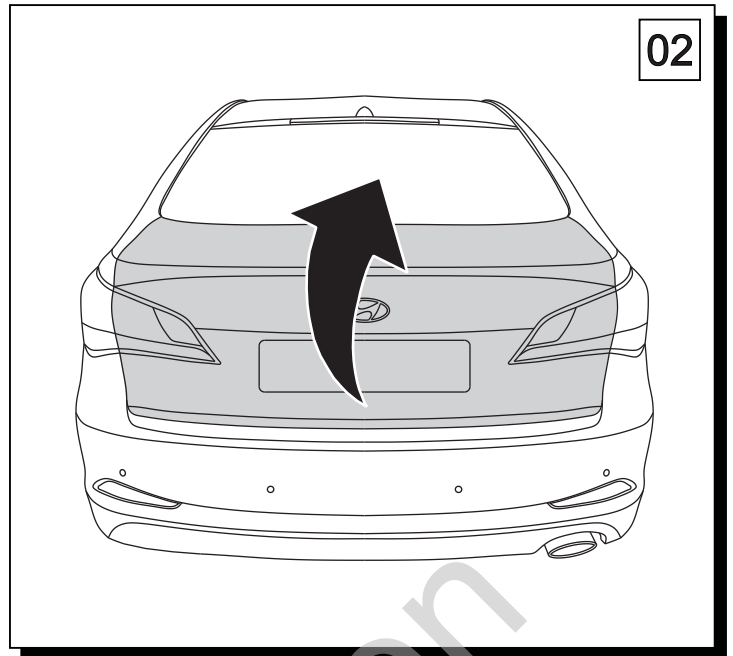
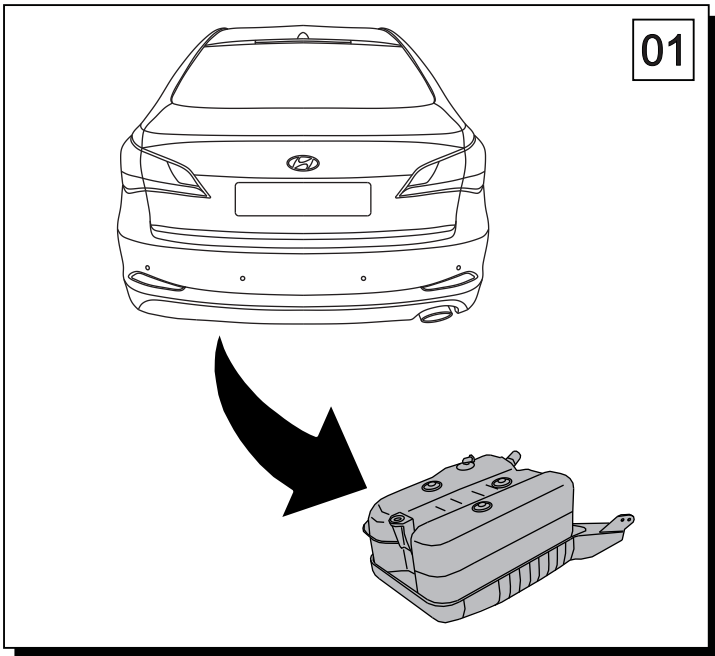


śruba	Nm	M6	M8	M10	M12	M14	M16
klasa 8.8		9,9	24	48	83	132	200
klasa 10.9		14	34	67	117	185	285

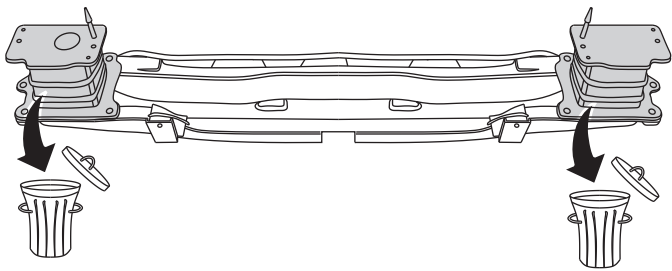
 0 km →  1000 km



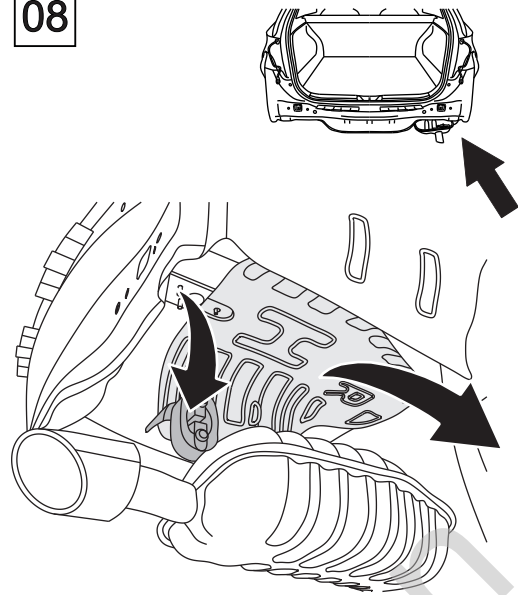
1		x 1		6	M 12x1,25x35	x 4
2	 Art.nr-KL1J84A	x 1		11	∅ 37x∅13x3	4
				13	DIN 9021	
3	 Art.nr-BL1J84A	x 1		12	∅ 30x∅10.5x2.5	8
				10	DIN 9021	
4		x 2		13	∅ 24x∅8.4x2	8
				8	DIN 9021	
5		x 1		14	∅ 8.5	x 3
				15	∅ 12.2	x 4
				16	∅ 10.2	x 4
				17	∅ 8.2	x 4
				18	M 10	x 4
				19	M 8	x 4
				20	M 8 (DIN985)	x 1



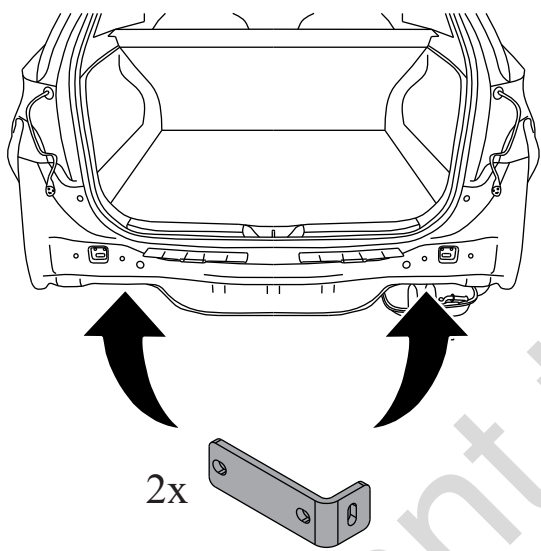
07



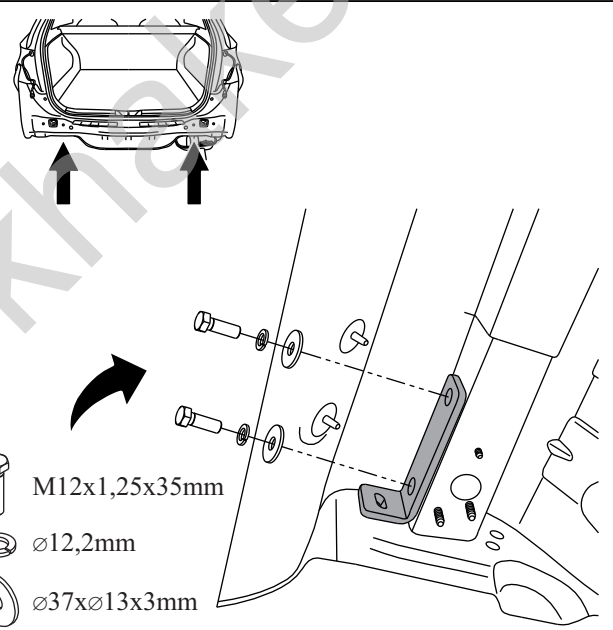
08



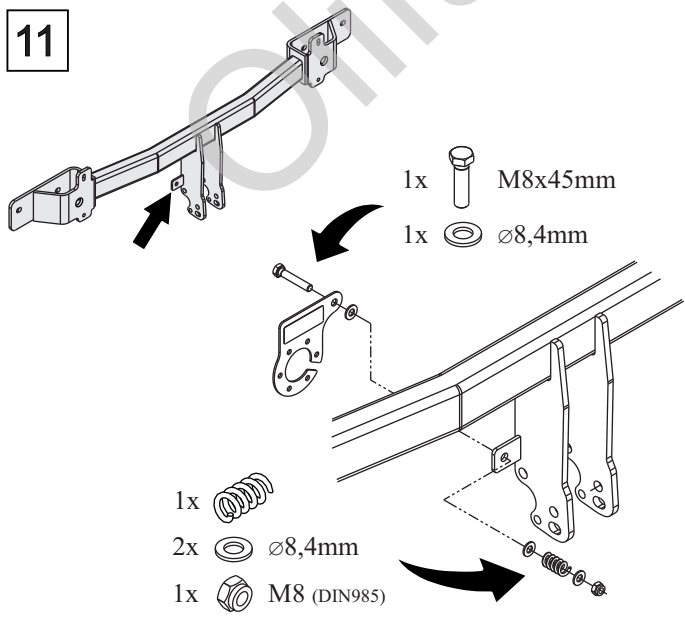
09



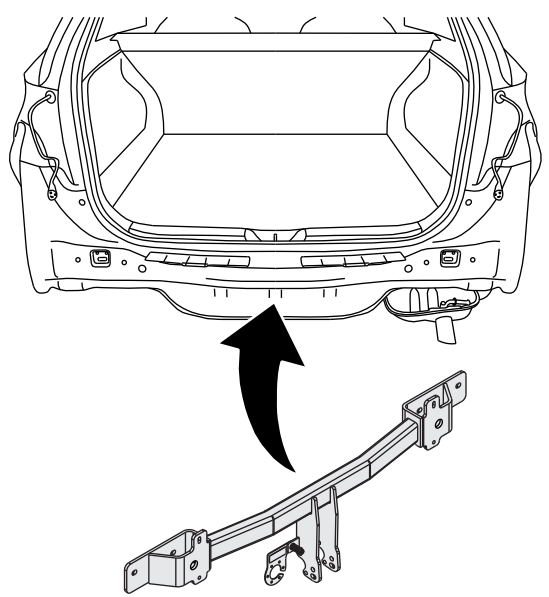
10

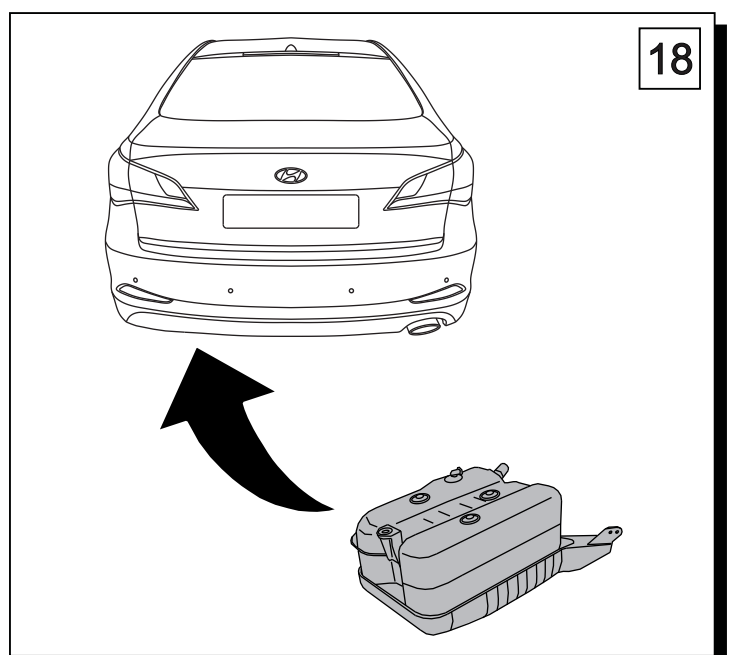
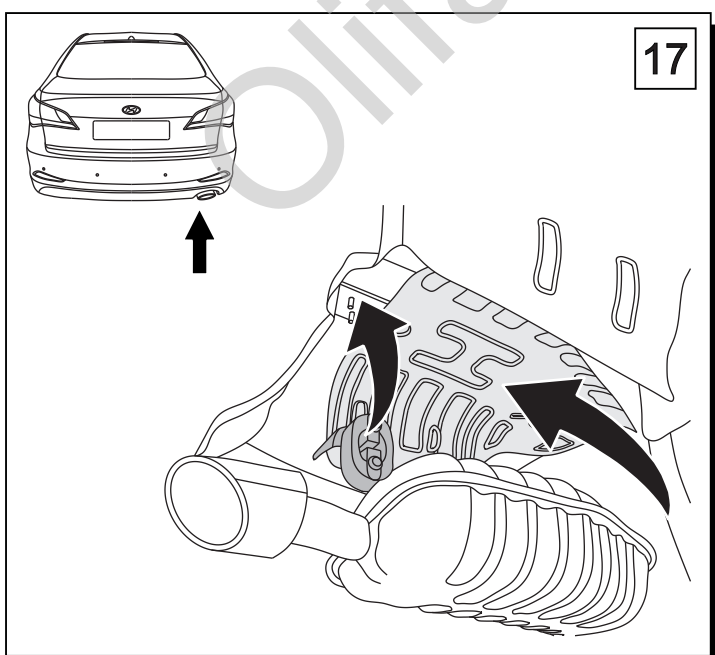
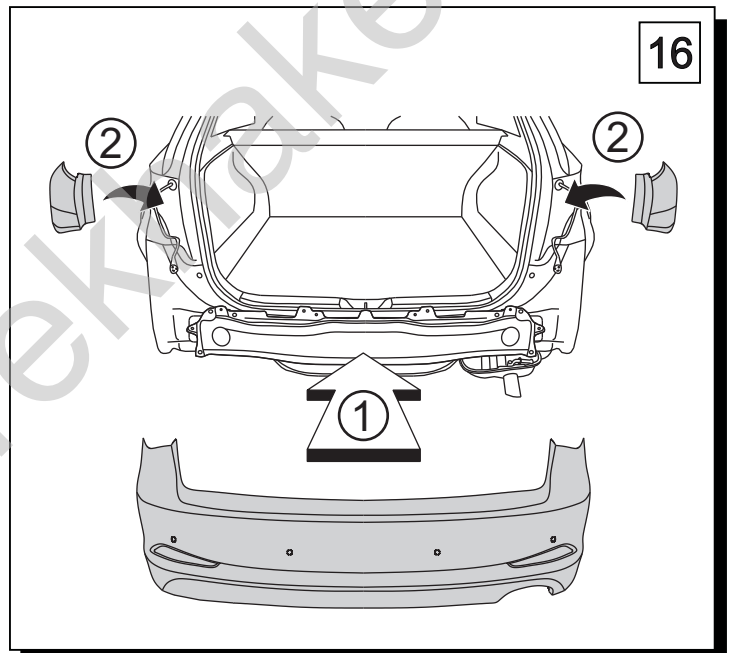
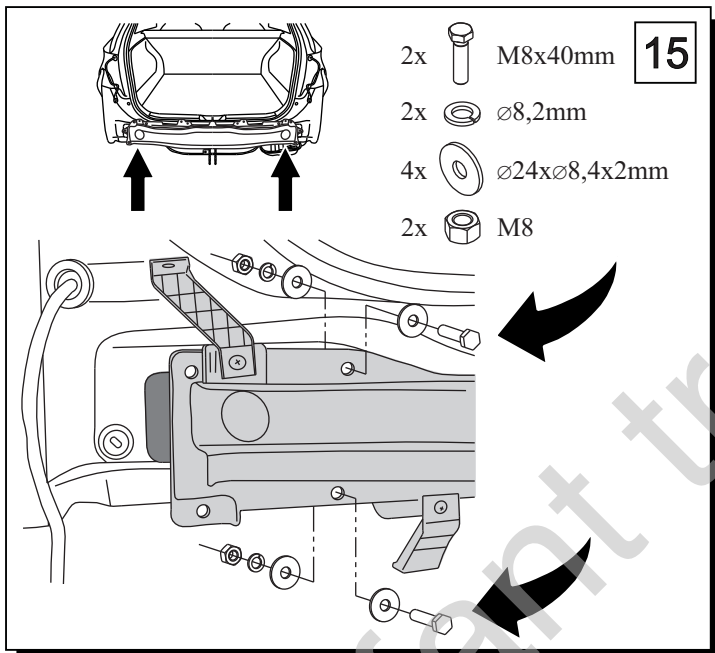
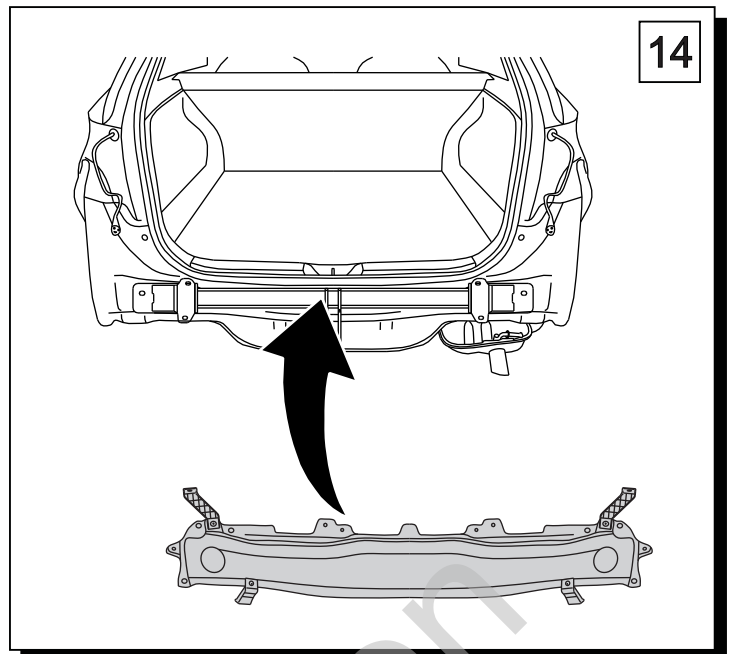
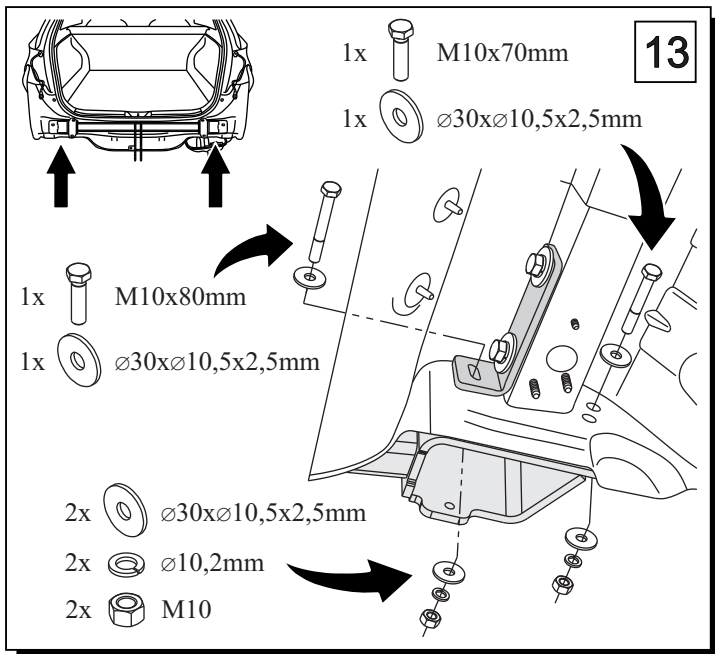


11

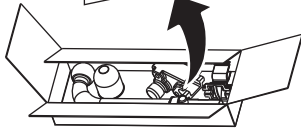
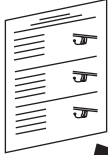
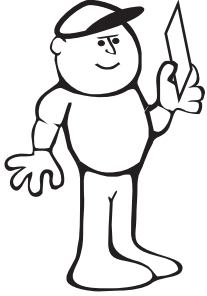
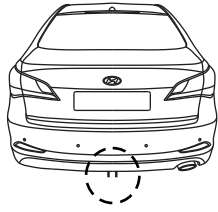
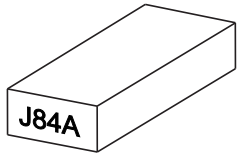


12





19



Olifant trekhaken