

# AUTO-HAK Sp. z o.o.

ul. Słoneczna 16K 76-200 SŁUPSK  
POLAND

tel/fax +48 59 8 414 414; +48 59 8 414 413

e-mail: [office@autohak.com.pl](mailto:office@autohak.com.pl)

[www.autohak.com.pl](http://www.autohak.com.pl)



# AUTO-HAK

## HYUNDAI TUCSON N Line

Cat. no:

**J83A**



2019 → 10.2020



E20-55R-01 5793

**D**

10,91 kN



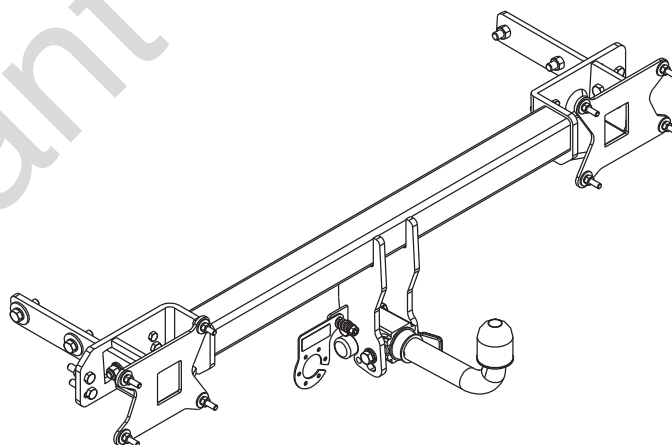
R=2200 kg



S=100 kg



2h



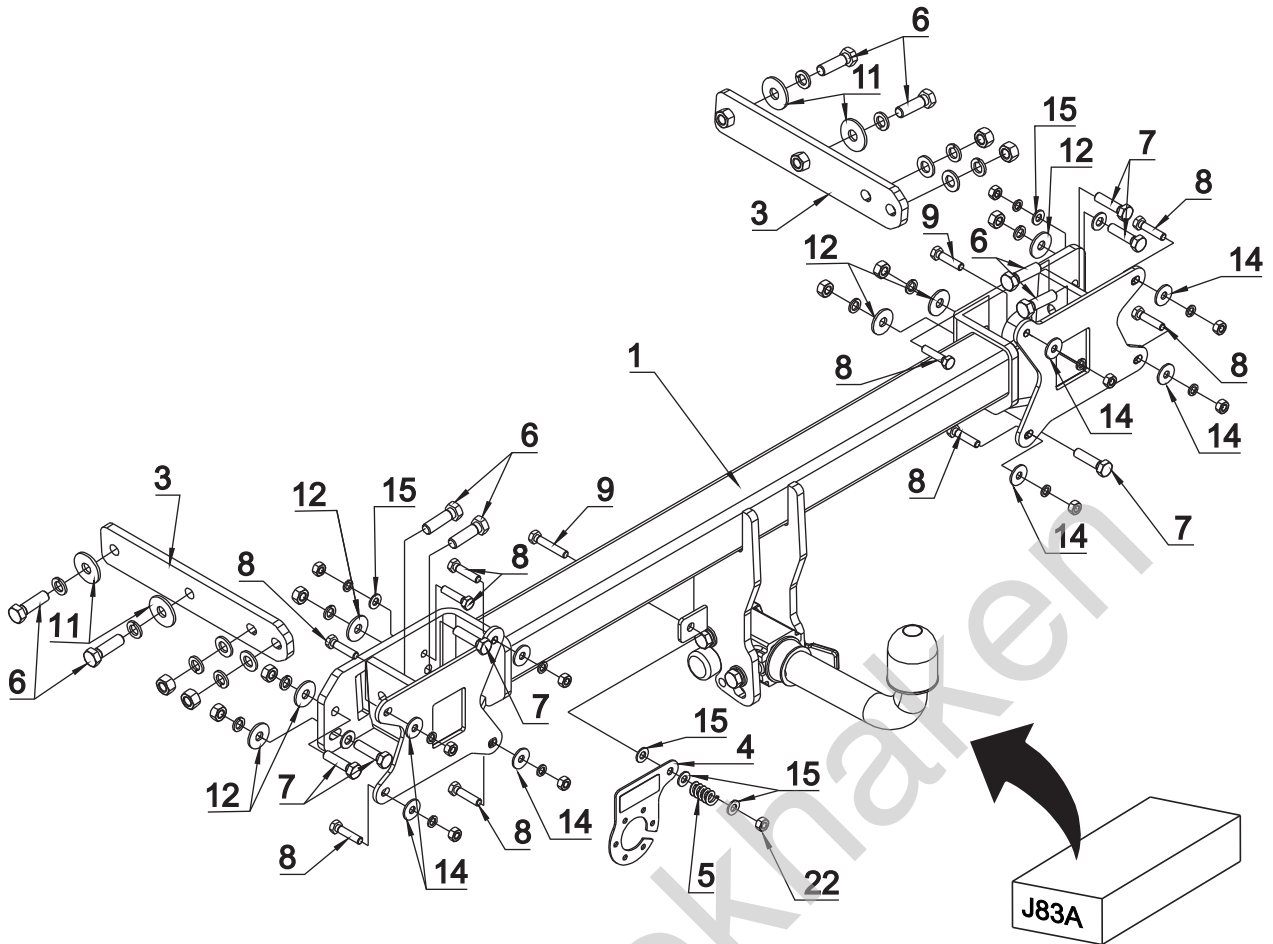
śruba Nm	M6	M8	M10	M12	M14	M16
klasa 8.8	9,9	24	48	83	132	200
klasa 10.9	14	34	67	117	185	285



0 km →

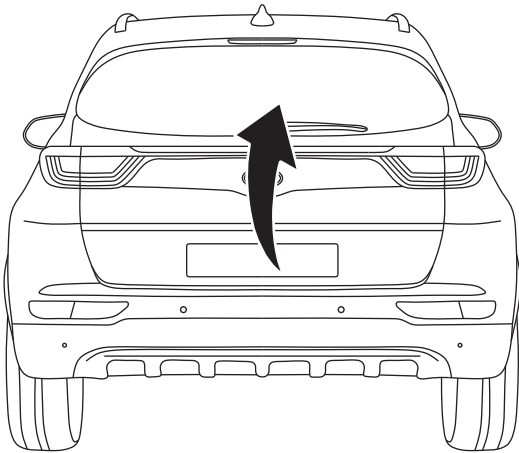


1000 km

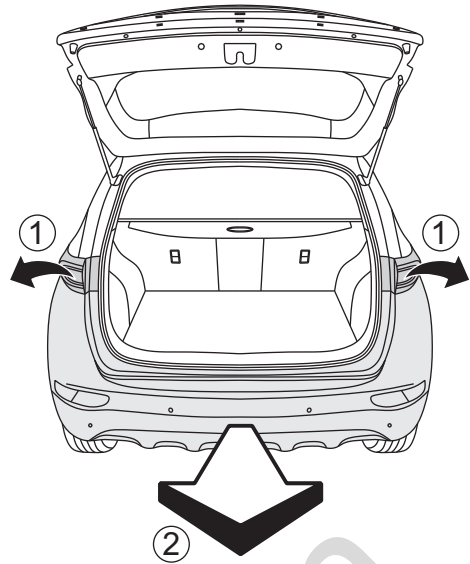


1	x 1		6	M12x40	x 8
2	x 1	 Art.nr-KL1J83A	7	M10x40	x 6
3	x 2		8	M8x35	x 10
4	x 1	 Art.nr-BL12J83A	9	M8x45	x 1
5	x 1		10	∅ 13	x 4
			11	∅ 37x∅13x3 13 (DIN 9021)	x 4
			12	∅ 30x∅10.5x2.5 10 (DIN 9021)	x 6
			13	∅ 10,5	x 2
			14	∅ 24x∅8.5x2 8 (DIN 9021)	x 8
			15	∅ 8.4	x 5
			16	∅ 12.2	x 8
			17	∅ 10.2	x 6
			18	∅ 8.2	x 10
			19	M12	x 4
			20	M10	x 6
			21	M8	x 10
			22	M8 (DIN985)	x 1

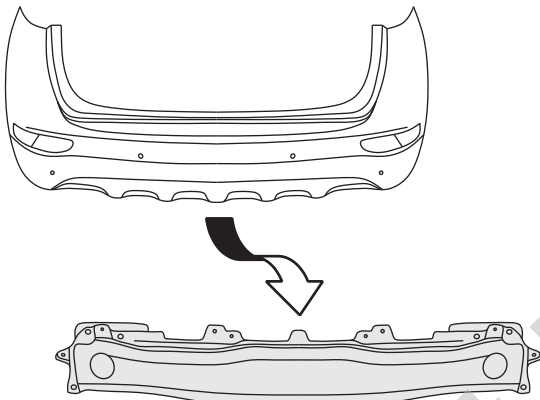
01



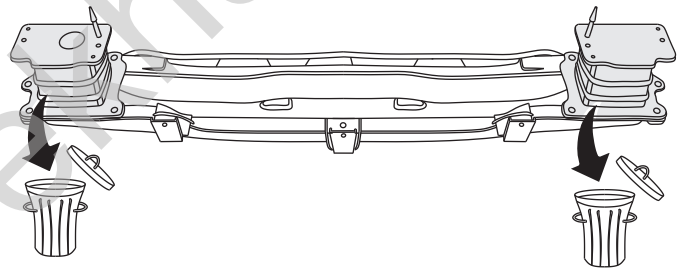
02



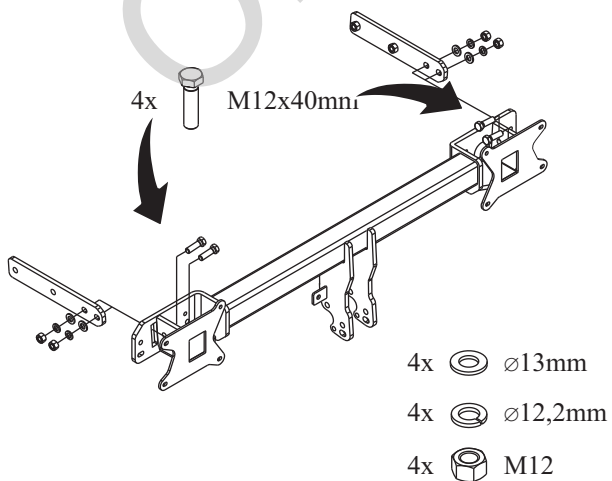
03



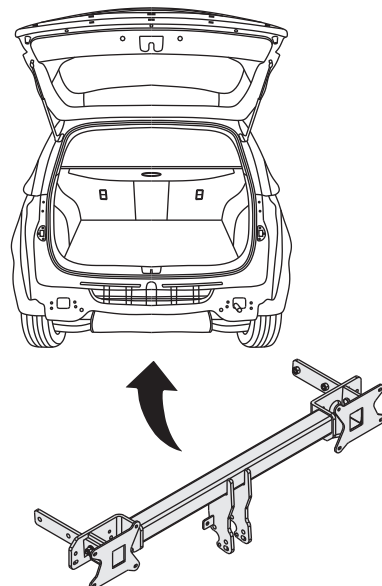
04

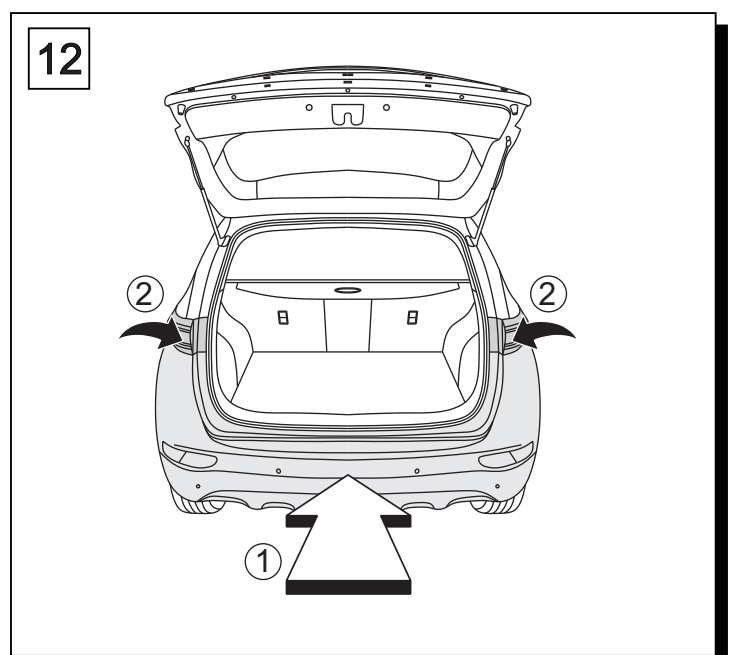
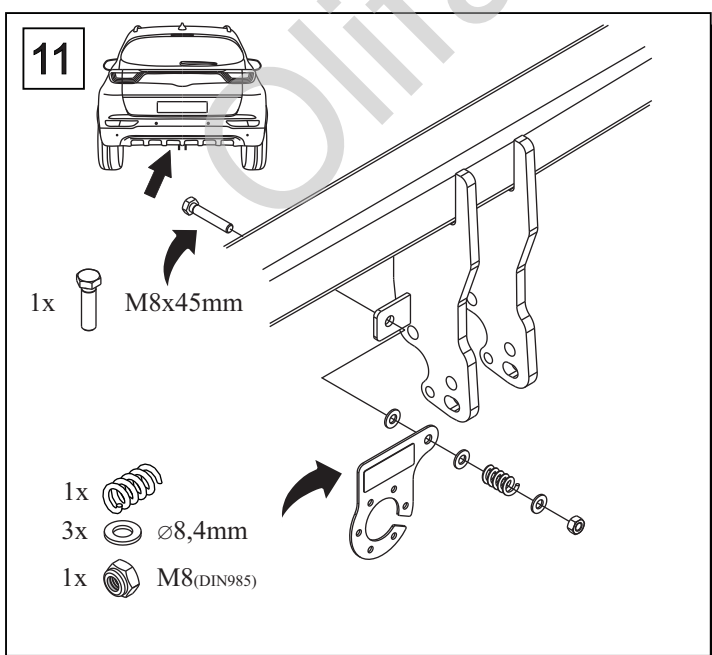
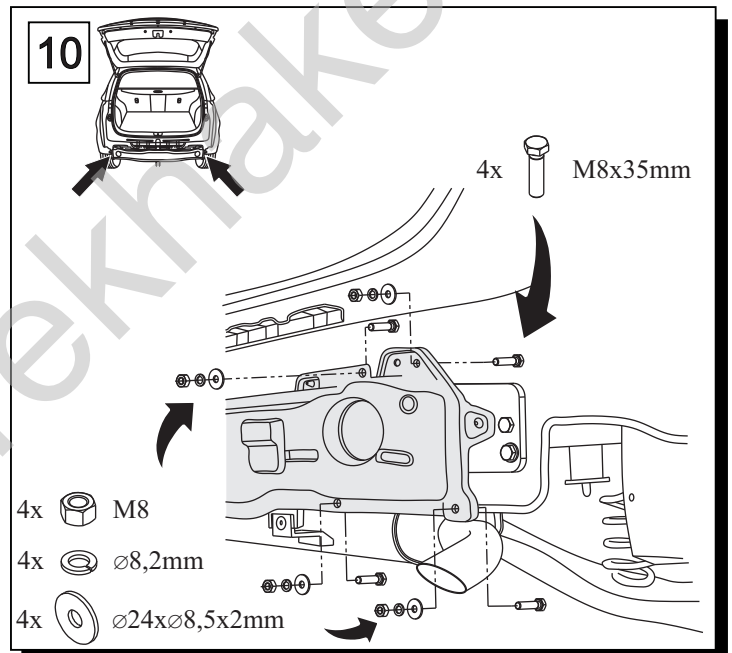
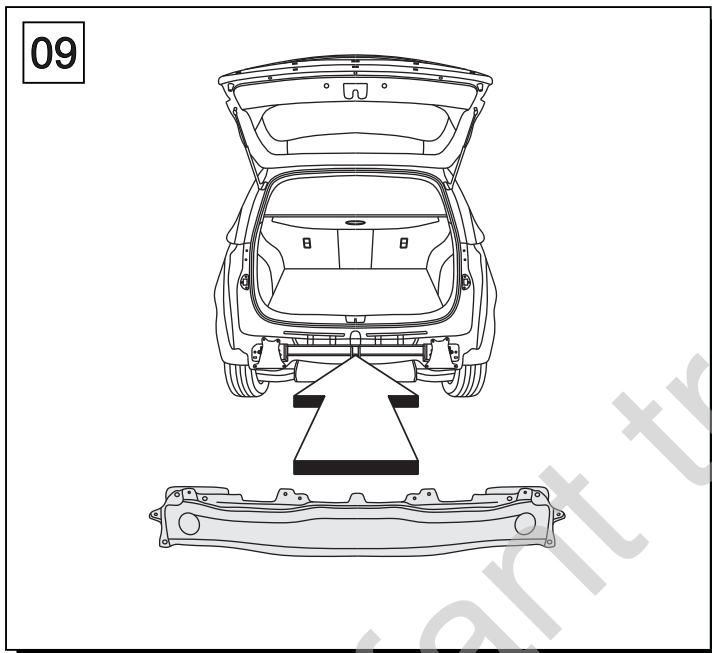
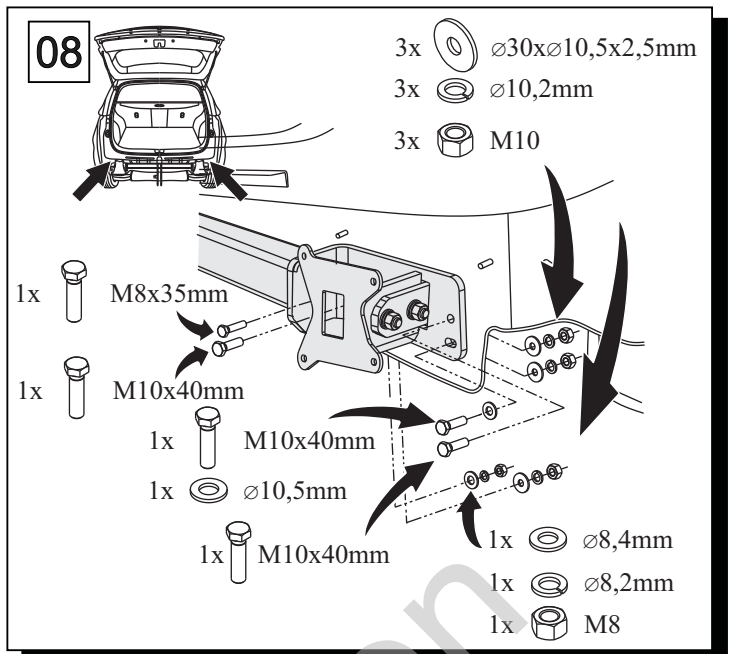
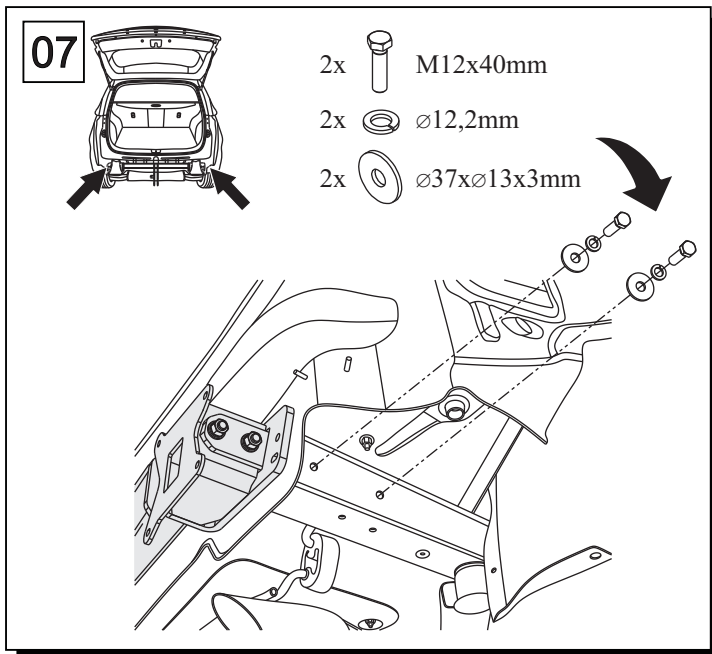


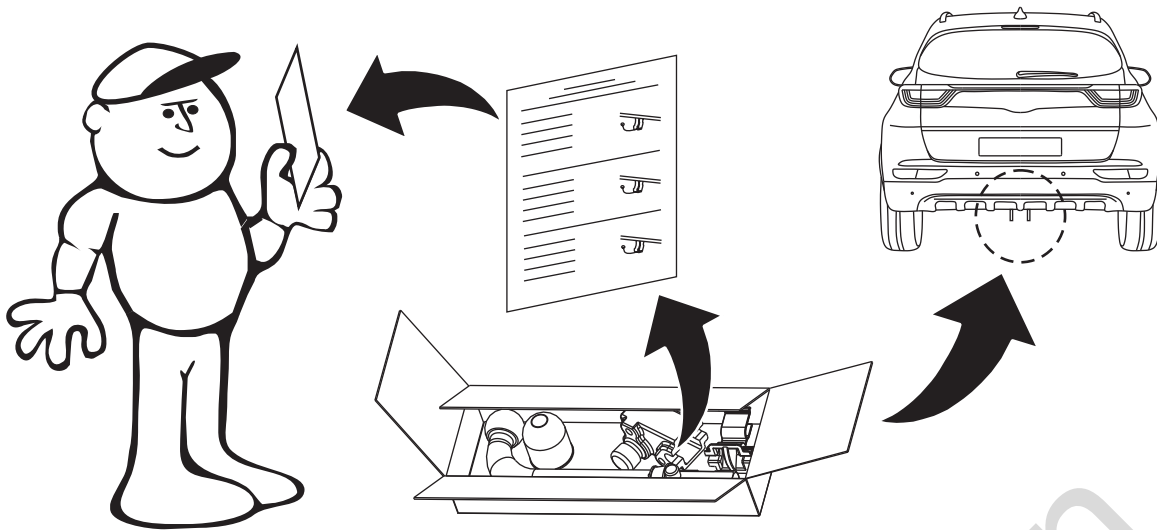
05



06







M6 - 11 Nm  
M10 - 50 Nm  
M14 - 138 Nm

M8 - 25 Nm  
M12 - 87 Nm  
M16 - 210 Nm



0 km



1000 km

Olifant trekhaken