

AUTO-HAK Sp. z o.o.

ul. Słoneczna 16K 76-200 SŁUPSK
POLAND

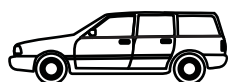
tel/fax +48 59 8 414 414; +48 59 8 414 413

e-mail: office@autohak.com.pl

www.autohak.com.pl



AUTO-HAK



**HYUNDAI i40 (CW)
KOMBI z AdBlue**

Cat. no:

J82A



10.2018 →



E20-55R-01 5737



2h



9,91 kN

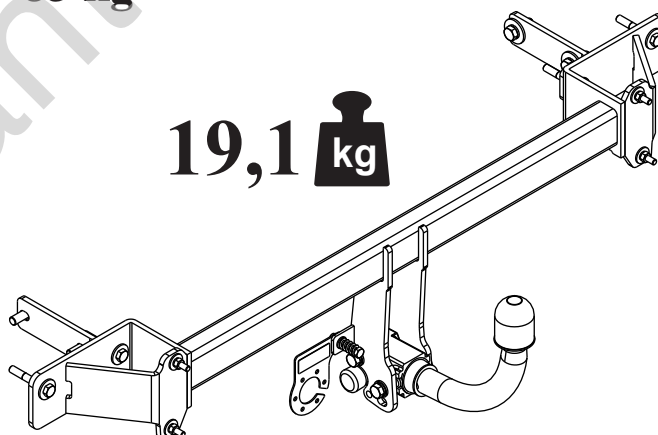


R=1800 kg



S=85 kg

19,1 kg



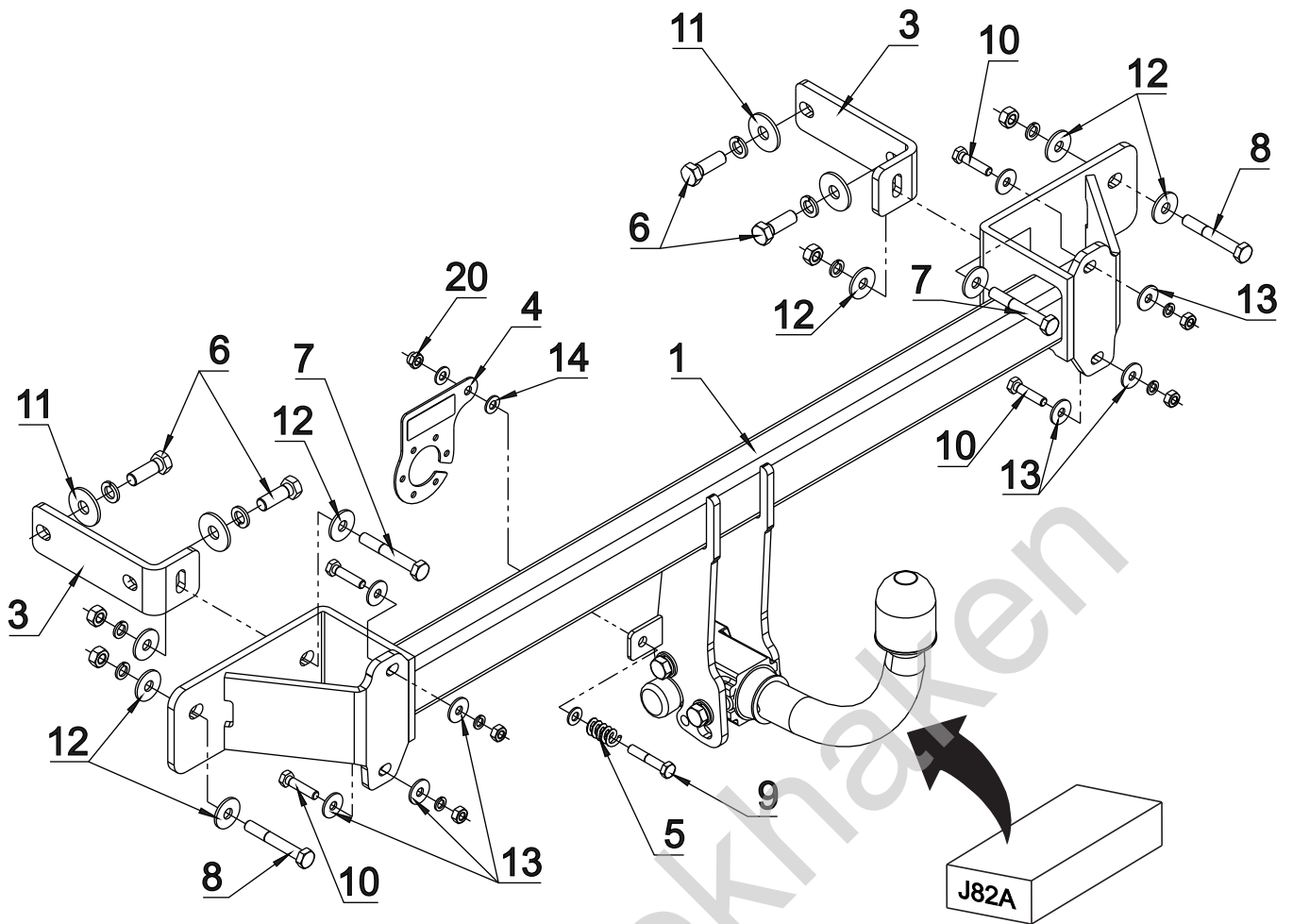
| śruba | Nm | M6 | M8 | M10 | M12 | M14 | M16 |
|------------|----|-----|----|-----|-----|-----|-----|
| klasa 8.8 | | 9,9 | 24 | 48 | 83 | 132 | 200 |
| klasa 10.9 | | 14 | 34 | 67 | 117 | 185 | 285 |

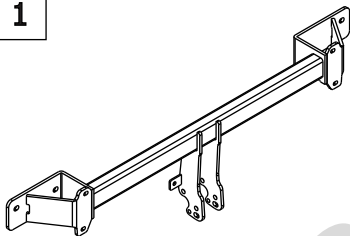

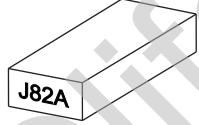

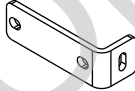
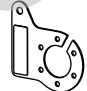
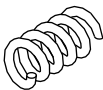



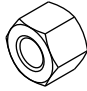


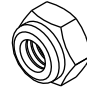
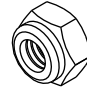
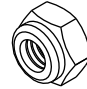


0 km →



1000 km



| | | | | | | | | | |
|-------------------------------------------------------------------------------------|-------------------------------------------------------------------------------------------------------|-------------------------------------------------------------------------------------|-------------------------------------------------------------------------------------|--------------------------------------------------------------------------------------------------------|-------------------------------------------------------------------------------------|-----------|-----------|-----------|-----------|
|  | 1 | x1 |  | 6 | M12x1.25x35 | x4 | | | |
| |  Art.nr-KL1J82A | 2 | | x1 |  | 7 | M10x80 | x2 | |
| | |  | | 3 | | x2 | 8 | M10x70 | x2 |
| | | | |  Art.nr-BL12J82A | | 4 | x1 | 9 | M8x45 |
| | |  | | | | 5 | x1 | 10 | M8x40 |
|  |  | |  | 11 | \varnothing 37x \varnothing 13x3 13 (DIN 9021) | x4 | | | |
| | | 12 | | \varnothing 30x \varnothing 10.5x2.5 10 (DIN 9021) | x8 | | | | |
| | | 13 | | \varnothing 24x \varnothing 8.5x2 8 (DIN 9021) | x8 | | | | |
| | | 14 | | \varnothing 8,4 | x3 | | | | |
| |  |  |  | 15 | \varnothing 12.2 | x4 | | | |
| | | | | 16 | \varnothing 10.2 | x4 | | | |
| | | | | 17 | \varnothing 8.2 | x4 | | | |
| | | | | 18 | M10 | x4 | | | |
|  |  |  | 19 | M8 | x4 | | | | |
| | | | 20 | M8 (DIN985) | x1 | | | | |

