

AUTO-HAK Sp. z o.o.

ul. Słoneczna 16K 76-200 SŁUPSK
POLAND

tel/fax +48 59 8 414 414; +48 59 8 414 413

e-mail: office@autohak.com.pl

www.autohak.com.pl



AUTO-HAK

HYUNDAI SANTA FE

Nr kat.

J81A



09.2018 → 09.2020



E20-55R-01 5643

D

12,7 kN



R=2500 kg



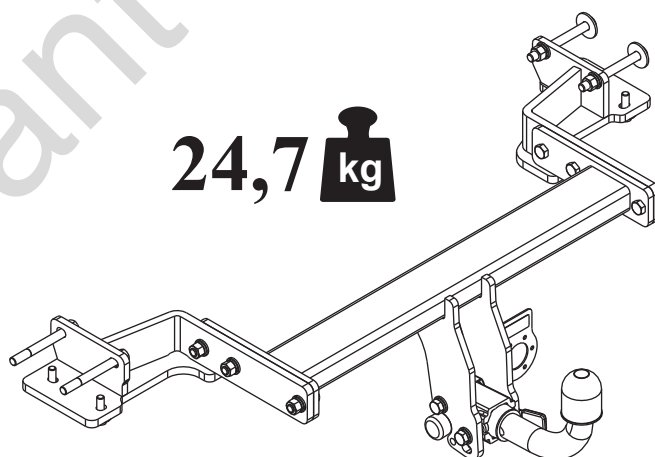
S=100 kg



2h



24,7  kg



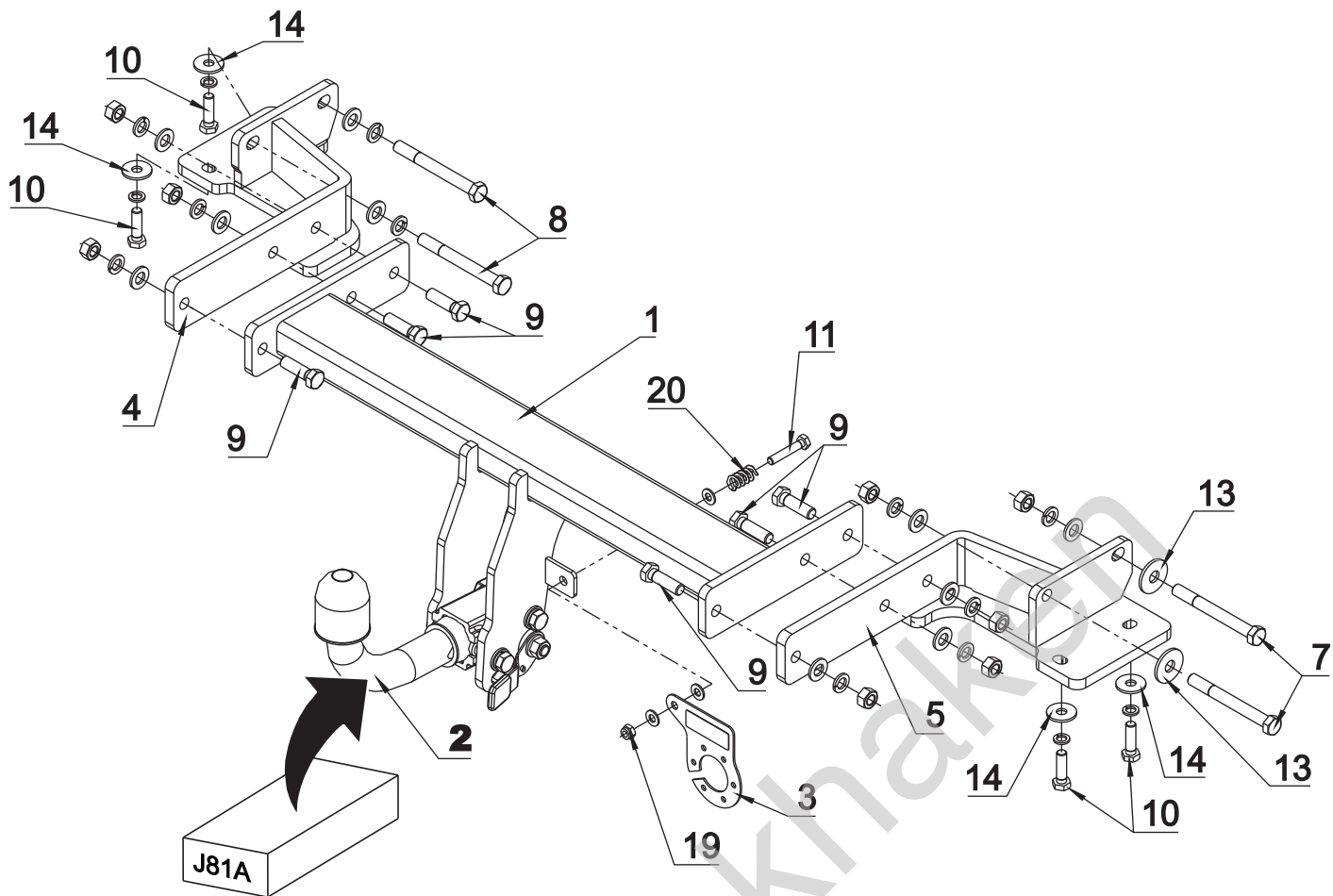
śruba	Nm	M6	M8	M10	M12	M14	M16
klasa 8.8		9,9	24	48	83	132	200
klasa 10.9		14	34	67	117	185	285

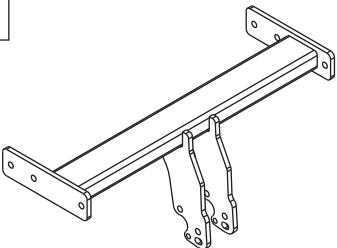

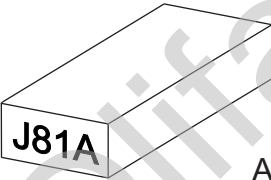

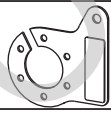

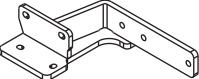

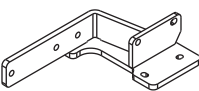







0 km →



1000 km



	x1		7	M12x110	x2
			8	M12x1,25x110	x2
			9	M12x40	x6
			10	M10x1,25x35	x4
			11	M8x45	x1
 Art.nr-KL1J81A	x1		12	∅ 13	x10
			13	∅ 37x∅13x3 13 DIN 9021	x2
			14	∅ 30x∅10.5x2.5 10 DIN 9021	x4
 Art.nr-BL13J81A	x1		15	∅ 8.4	x3
				x1	
	x1				
				x1	
	x1				
			20		x1

