

AUTO-HAK Sp. z o.o.

ul. Słoneczna 16K 76-200 SŁUPSK
POLAND

tel/fax +48 59 8 414 414; +48 59 8 414 413

e-mail: office@autohak.com.pl

www.autohak.com.pl



AUTO-HAK

HYUNDAI TUCSON Facelift

Cat. no:

J80A



07.2018 → 10.2020



E20-55R-01 5564

D

10,91 kN



R=2200 kg



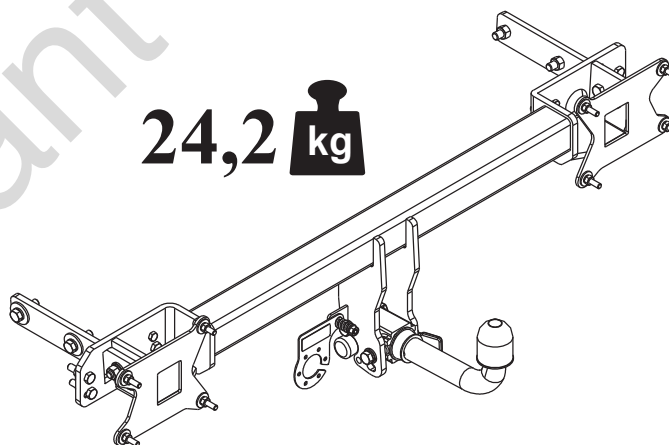
S=100 kg



2h



24,2  kg



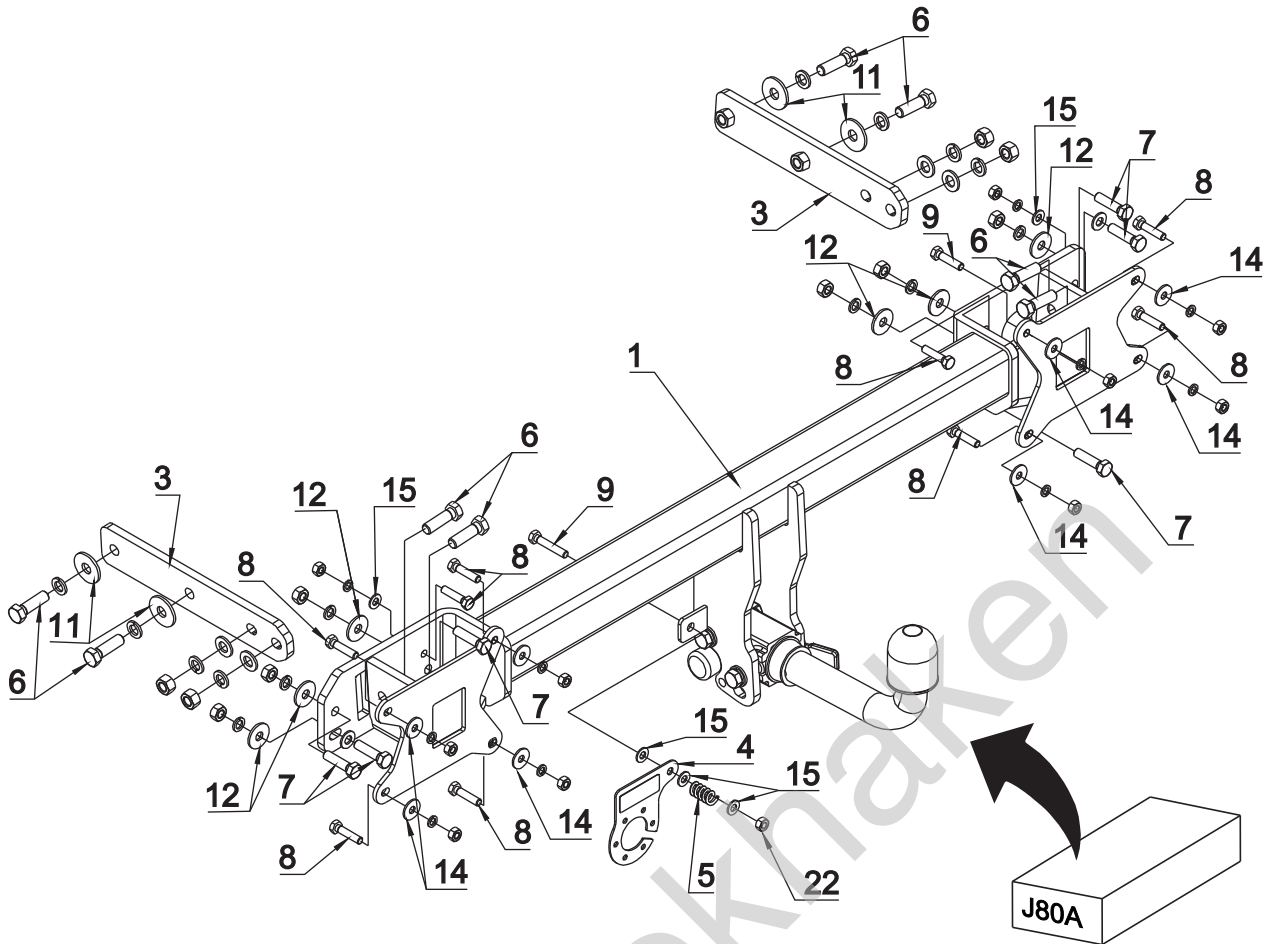
śruba	Nm	M6	M8	M10	M12	M14	M16
klasa 8.8		9,9	24	48	83	132	200
klasa 10.9		14	34	67	117	185	285



0 km

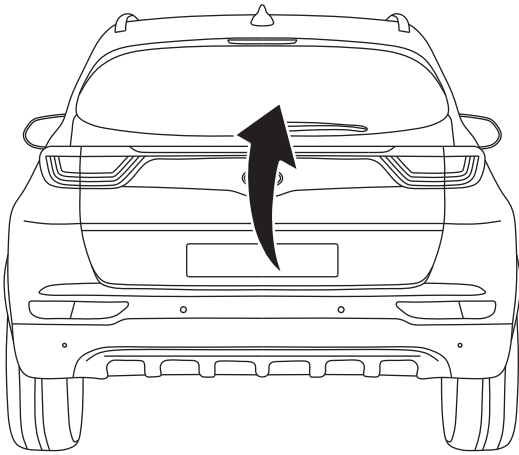


1000 km

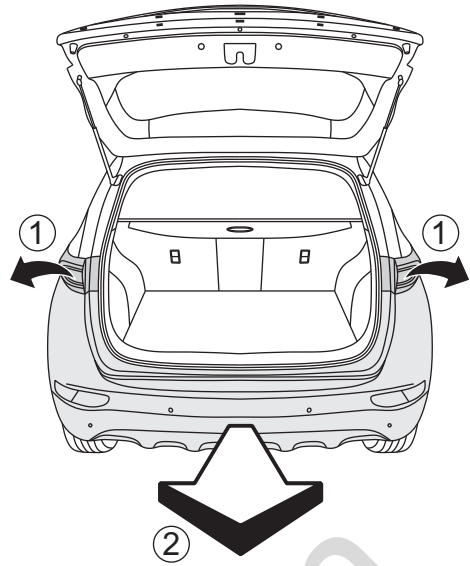


1	x 1		6	M12x40	x 8
2	x 1	 Art.nr-KL1J80A	7	M10x40	x 6
3	x 2		8	M8x35	x10
4	x 1	 Art.nr-BL12J80A	9	M8x45	x1
5	x 1		10	∅ 13	x4
			11	∅ 37x∅13x3 13 (DIN 9021)	x4
			12	∅ 30x∅10.5x2.5 10 (DIN 9021)	x6
			13	∅ 10,5	x2
			14	∅ 24x∅8.5x2 8 (DIN 9021)	x8
			15	∅ 8.4	x5
			16	∅ 12.2	x8
			17	∅ 10.2	x 6
			18	∅ 8.2	x10
			19	M12	x4
			20	M10	x6
			21	M8	x10
			22	M8 (DIN985)	x1

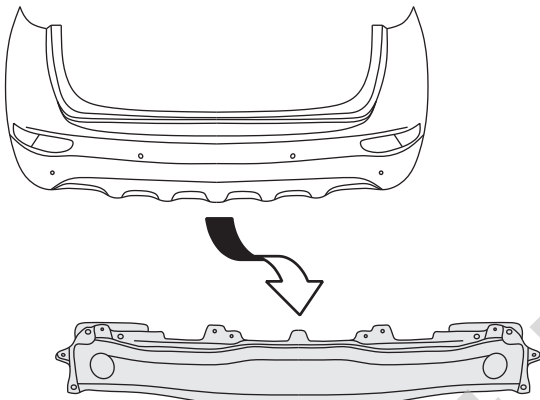
01



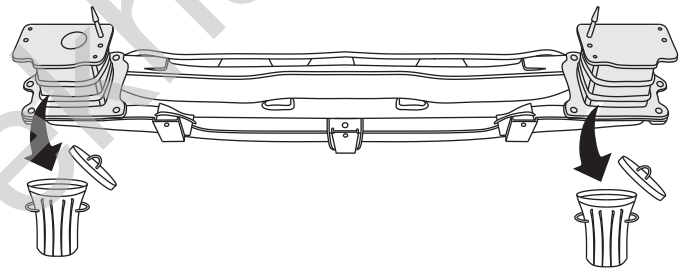
02



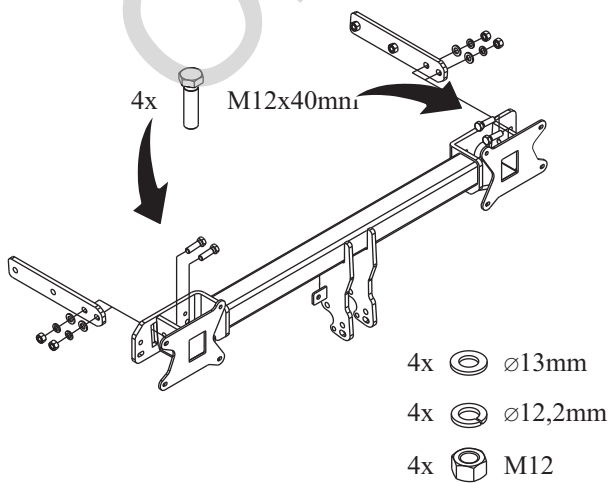
03



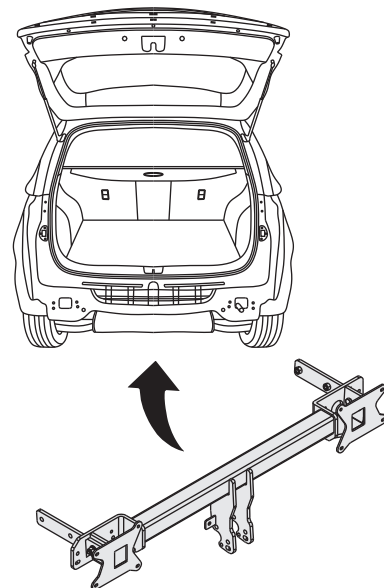
04

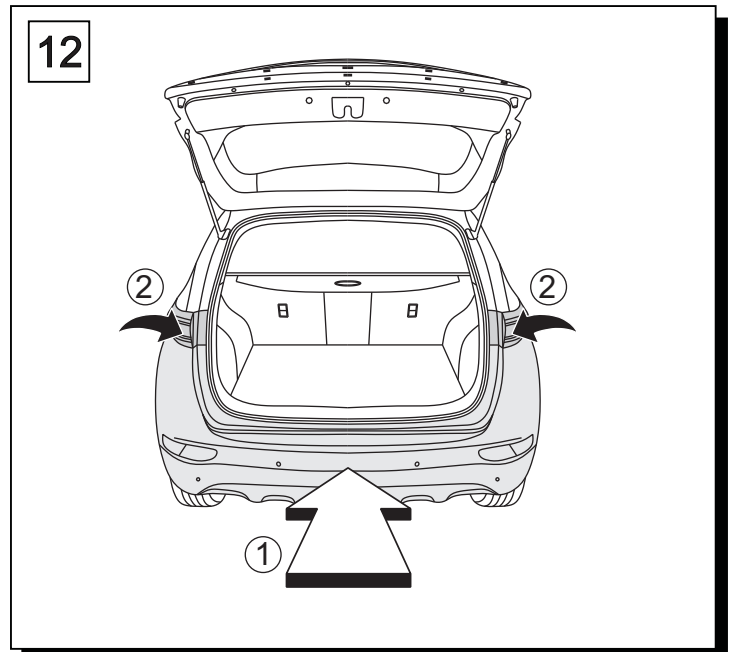
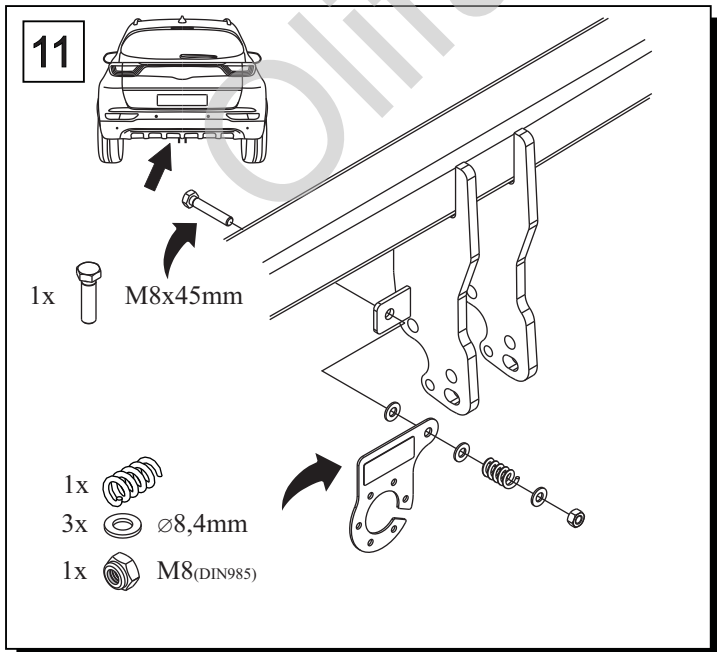
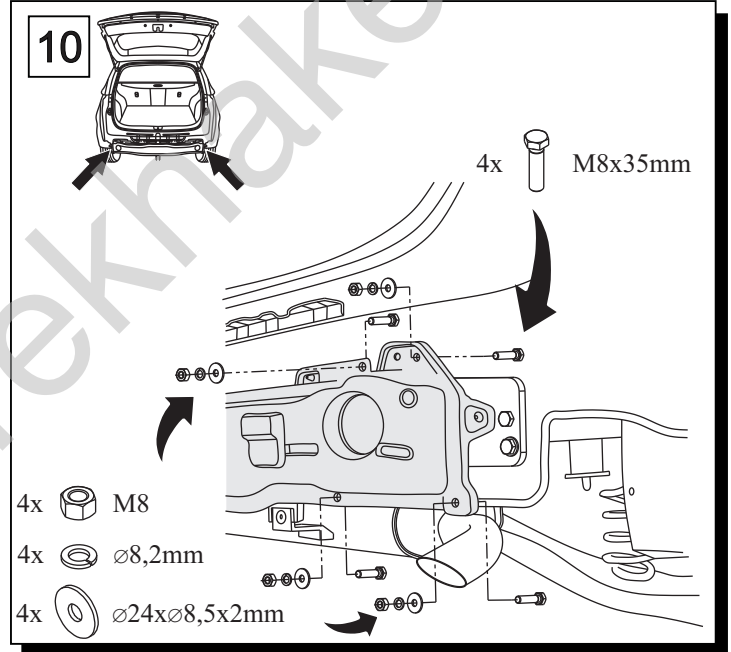
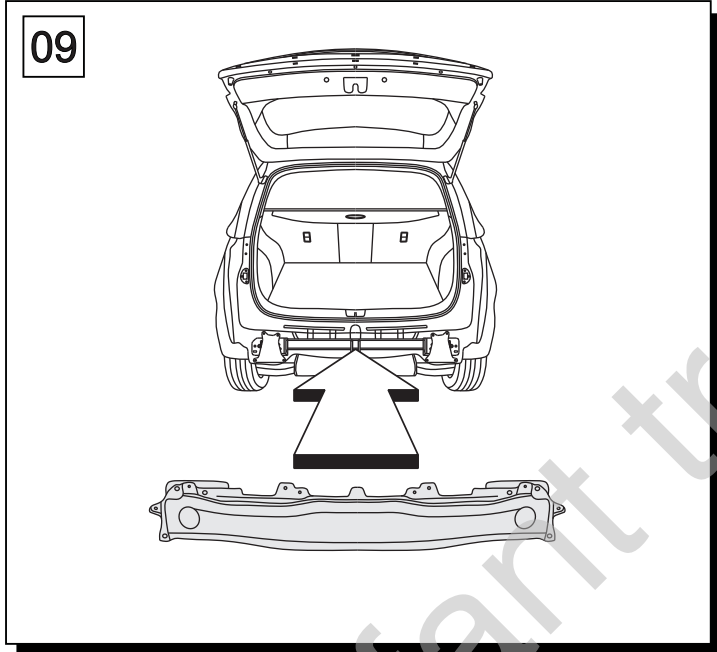
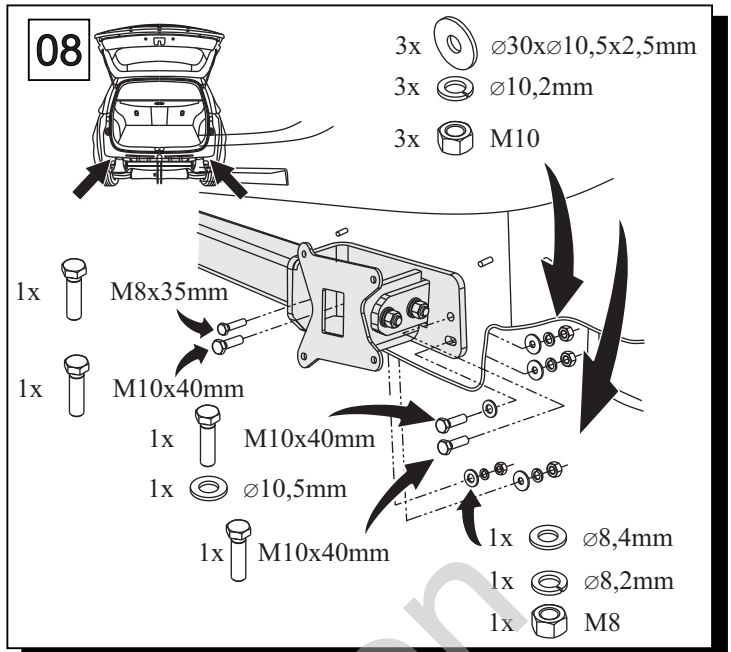
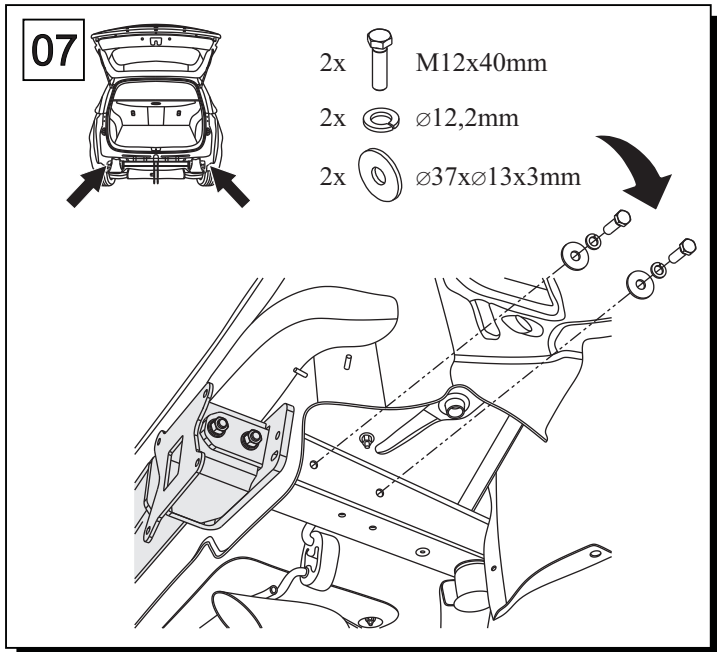


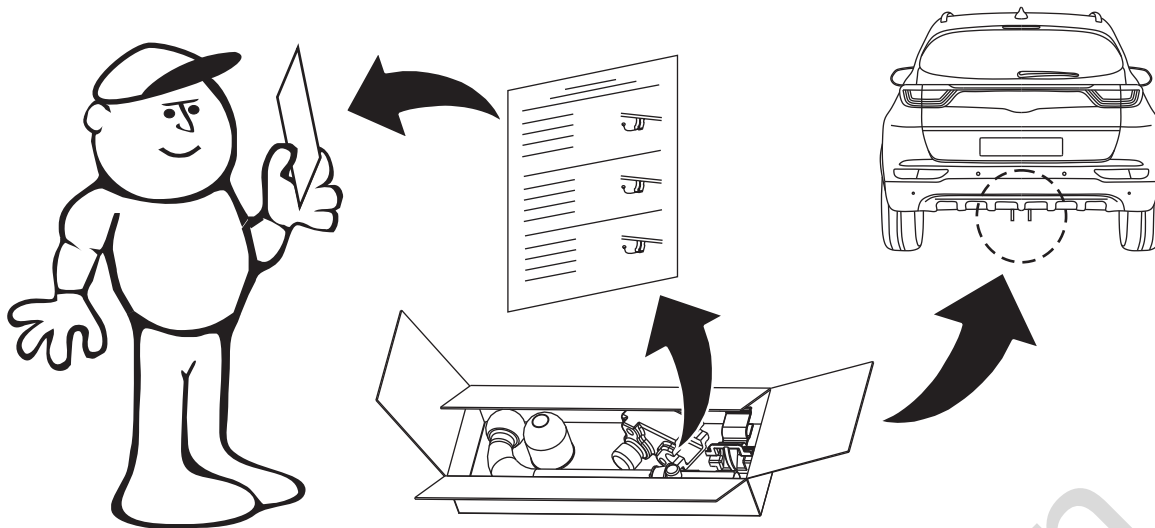
05






06







	M6 - 11 Nm	M8 - 25 Nm
	M10 - 50 Nm	M12 - 87 Nm
	M14 - 138 Nm	M16 - 210 Nm
	 0 km →  1000 km	

Olifant trekhaken