

# AUTO-HAK Sp. z o.o.

ul. Słoneczna 16K 76-200 SŁUPSK  
POLAND

tel/fax +48 59 8 414 414; +48 59 8 414 413

e-mail: [office@autohak.com.pl](mailto:office@autohak.com.pl)

[www.autohak.com.pl](http://www.autohak.com.pl)



# AUTO-HAK


## HYUNDAI i30 FASTBACK

5 d. ~~AdBlue~~


Cat. no:


**J79A**

 2018 →

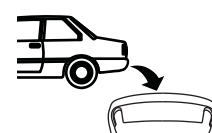
 E20-55R-01 5403

**D** 8,3 kN

 **R=1500 kg**

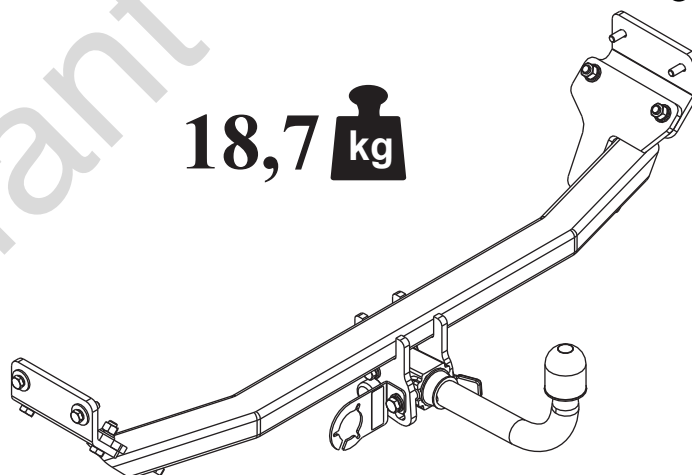
 **S=85 kg**

 **2h**



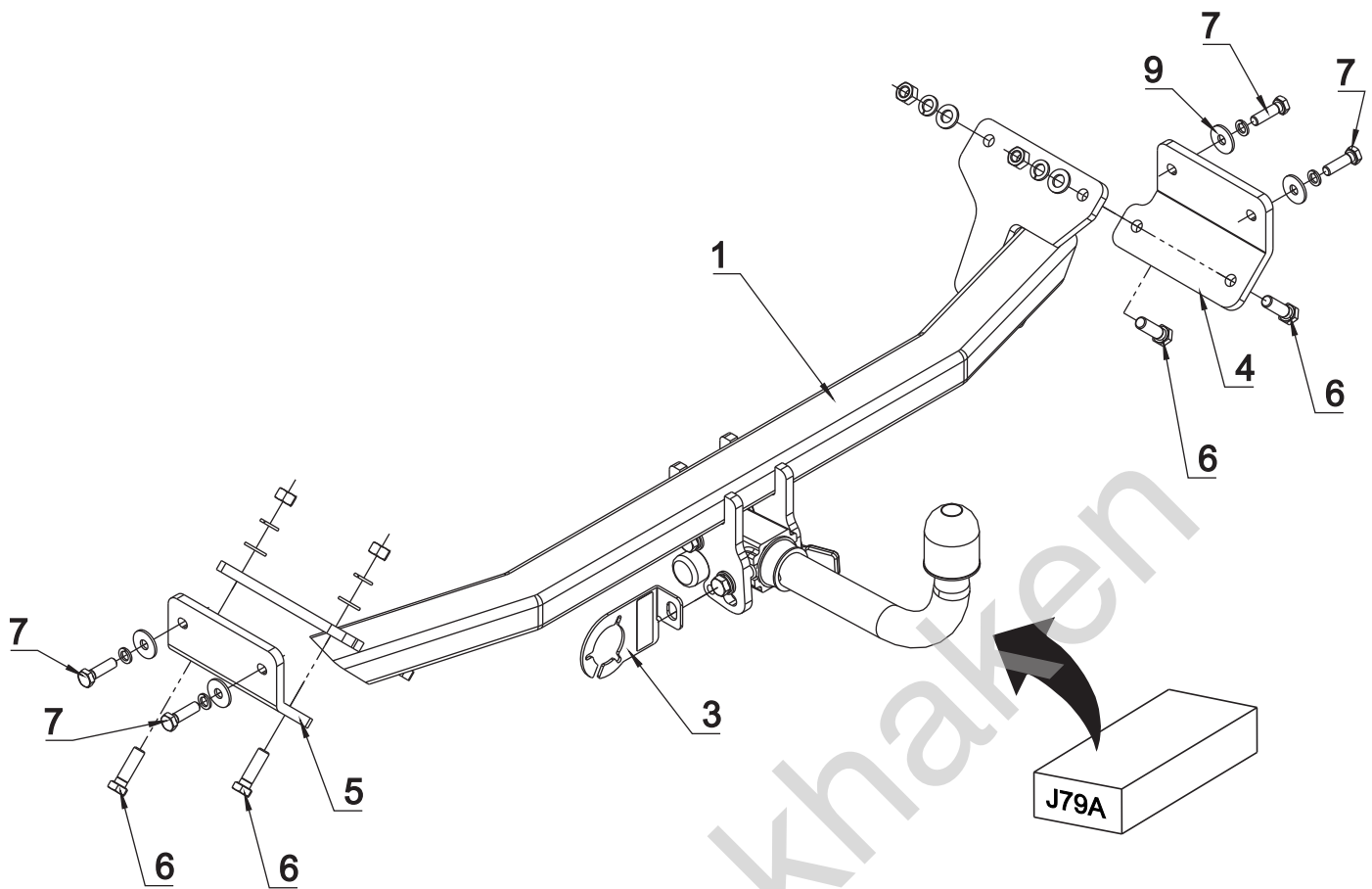


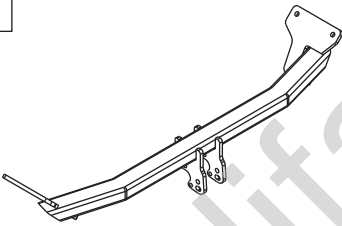

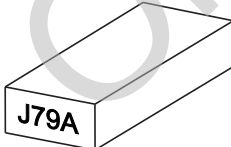



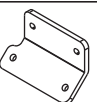
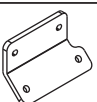
**18,7 kg** 



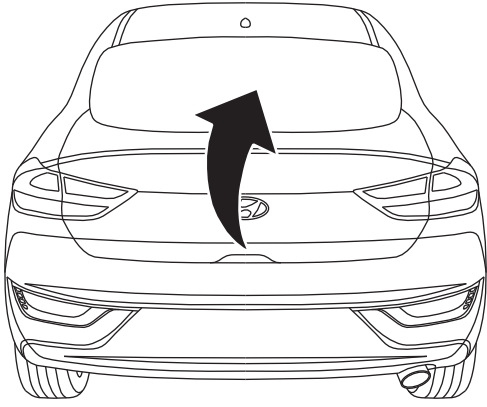
śruba	Nm	M6	M8	M10	M12	M14	M16
klasa 8.8		9,9	24	48	83	132	200
klasa 10.9		14	34	67	117	185	285

 0 km →  1000 km

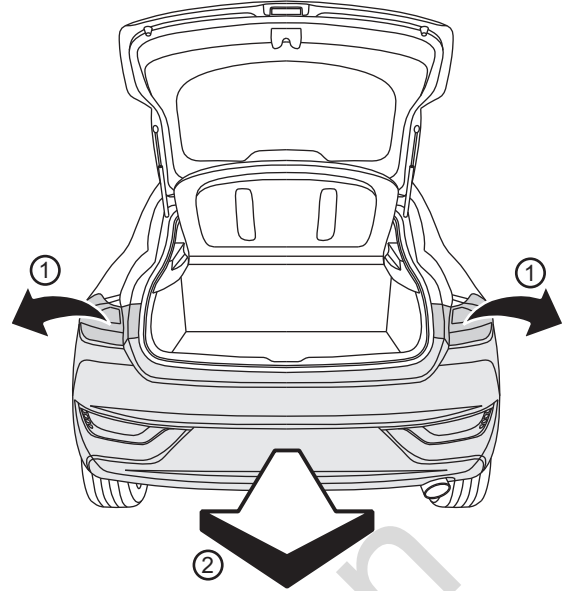


<b>1</b> 	<b>x1</b>		<b>6</b> M12x40	<b>x4</b>
			<b>7</b> M10x1.25x35	<b>x4</b>
			<b>8</b> $\varnothing$ 13	<b>x4</b>
			<b>9</b> $\varnothing$ 30x $\varnothing$ 10.5x2.5 <b>10</b> DIN 9021	<b>4</b>
<b>2</b> 	<b>x1</b>		<b>10</b> $\varnothing$ 12.2	<b>x4</b>
			<b>11</b> $\varnothing$ 10.2	<b>x4</b>
			<b>12</b> M12	<b>x4</b>
Art.nr-KL1J79A				
<b>3</b> 	<b>x1</b>			
Art.nr-BL1J79A				
<b>4</b> 	<b>x1</b>			
<b>5</b> 	<b>x1</b>			

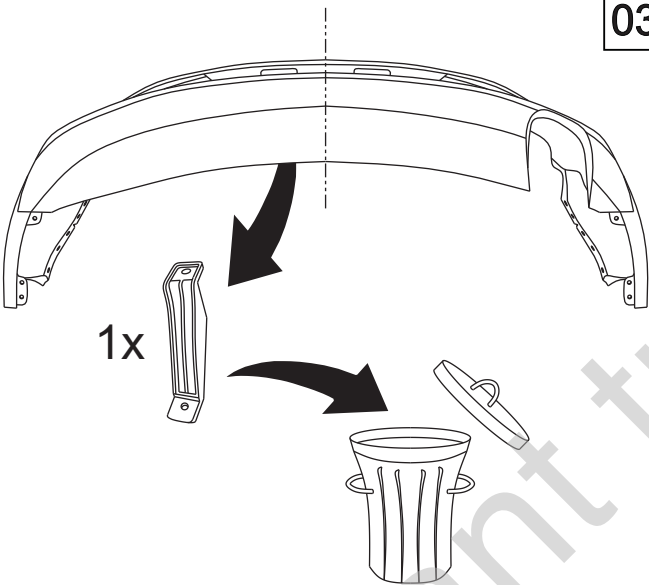
01



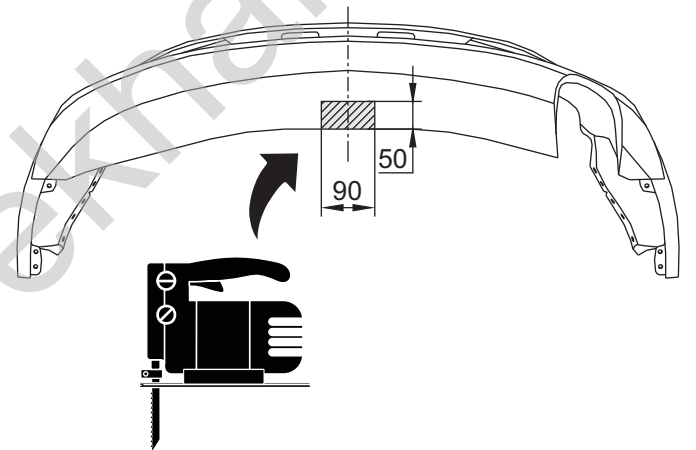
02



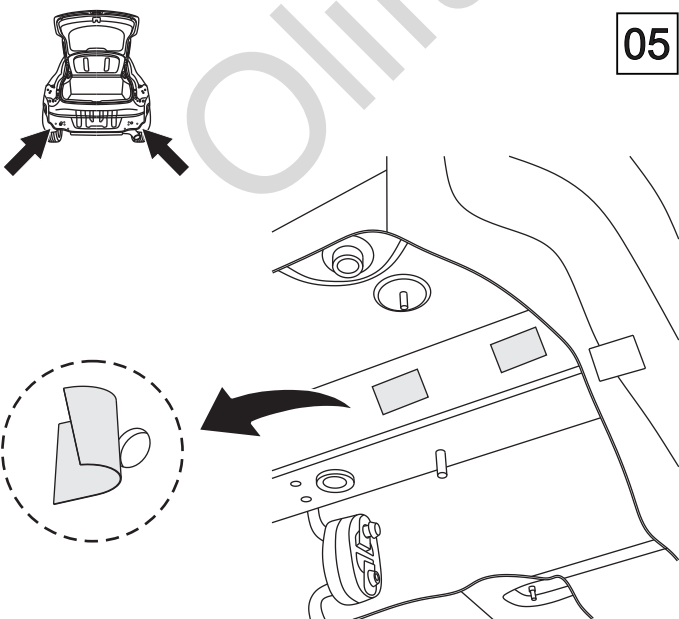
03



04



05



06

