

AUTO-HAK Sp. z o.o.

ul. Słoneczna 16K 76-200 SŁUPSK
POLAND

tel/fax +48 59 8 414 414; +48 59 8 414 413

e-mail: office@autohak.com.pl

www.autohak.com.pl



AUTO-HAK

HYUNDAI i30 3/5D



01.2017 →

Nr kat.

J76A



E20-55R-01 5046



2h

D

8,3 kN



R=1500 kg



S=80 kg



16,3 kg



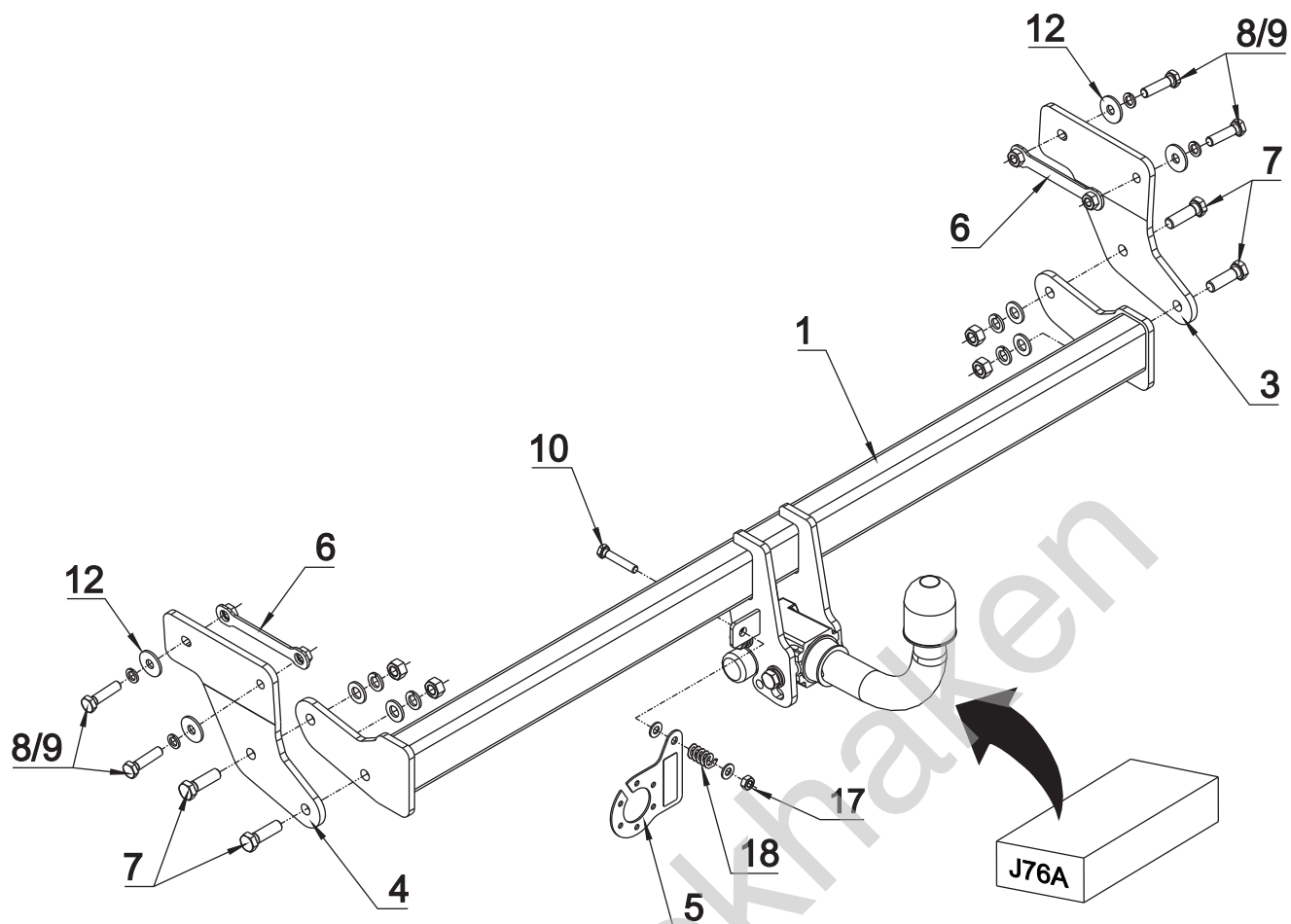
śruba Nm	M6	M8	M10	M12	M14	M16
klasa 8.8	9,9	24	48	83	132	200
klasa 10.9	14	34	67	117	185	285

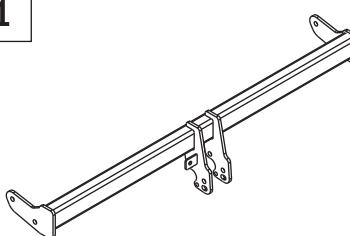

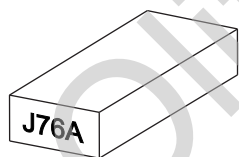

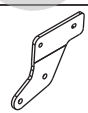

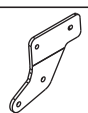

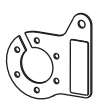
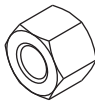
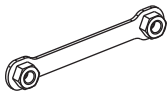

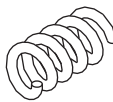


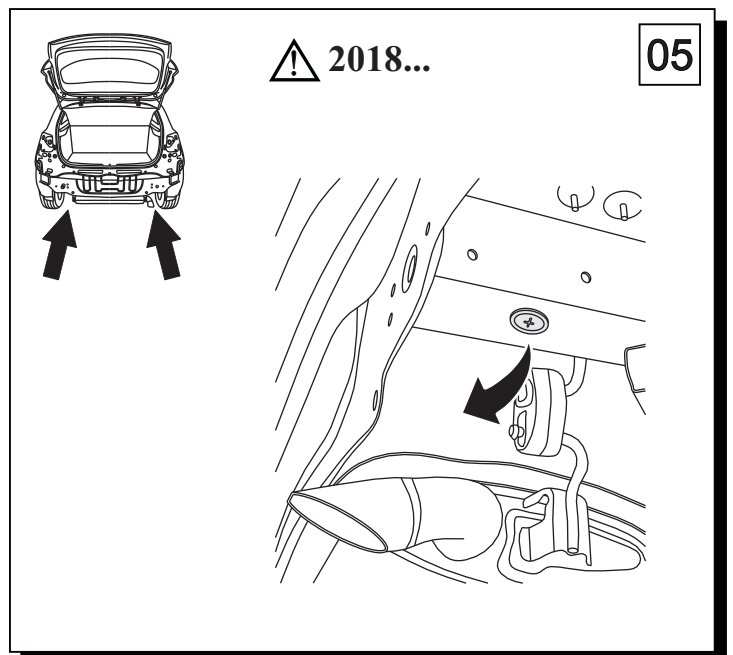
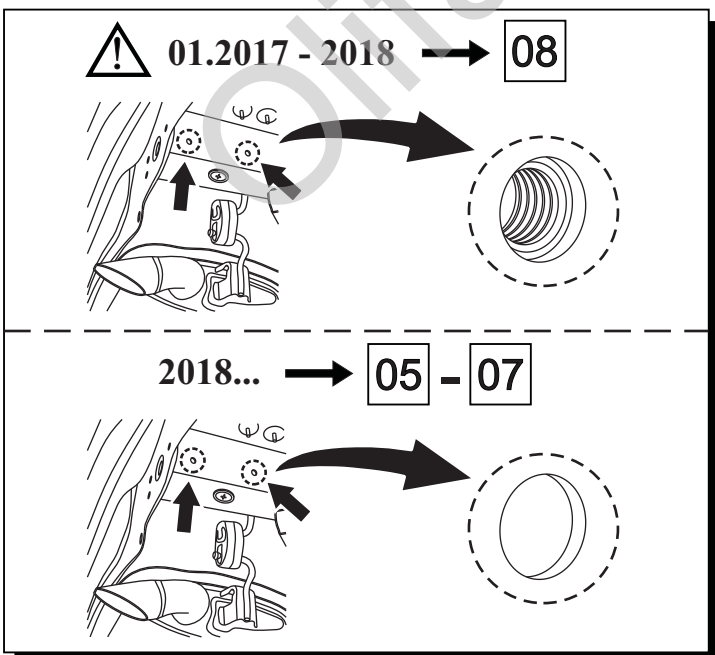
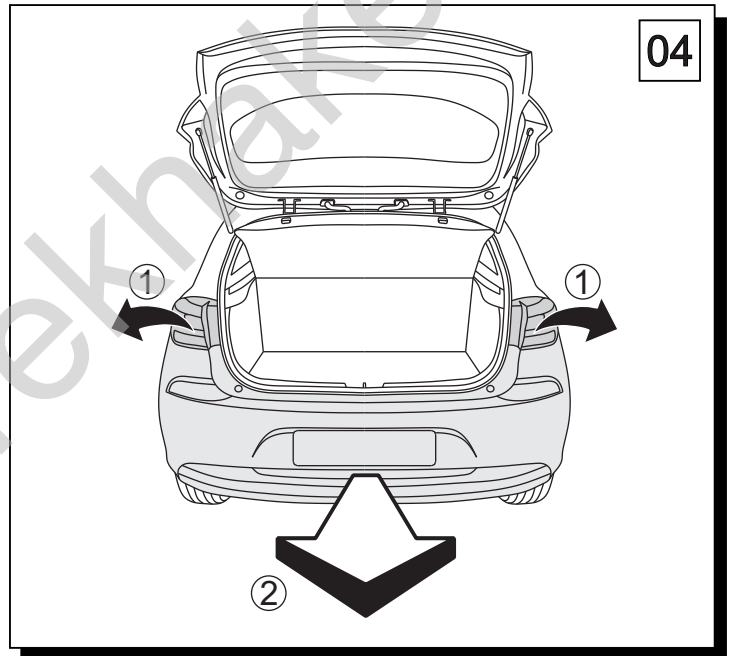
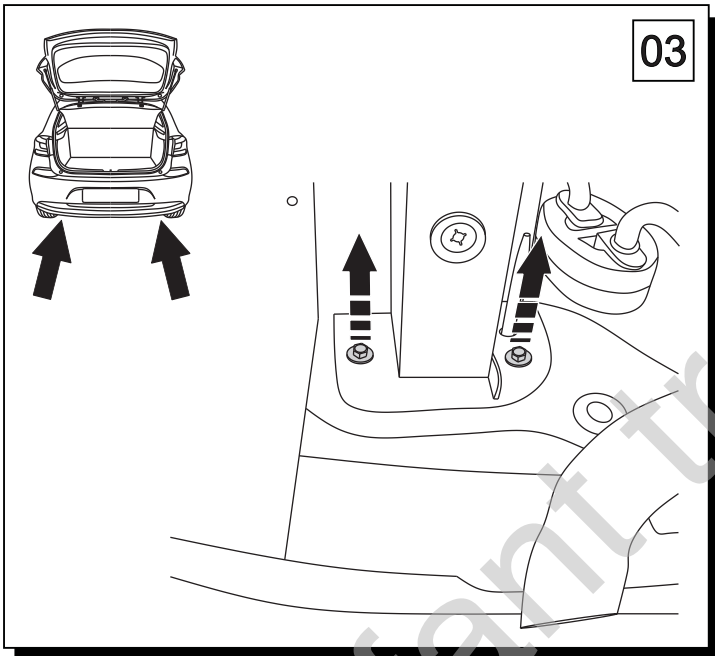
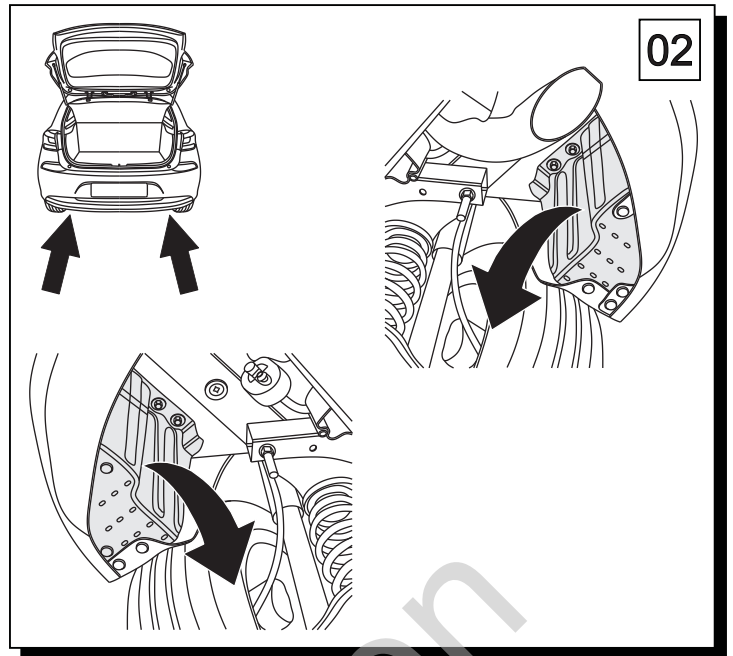
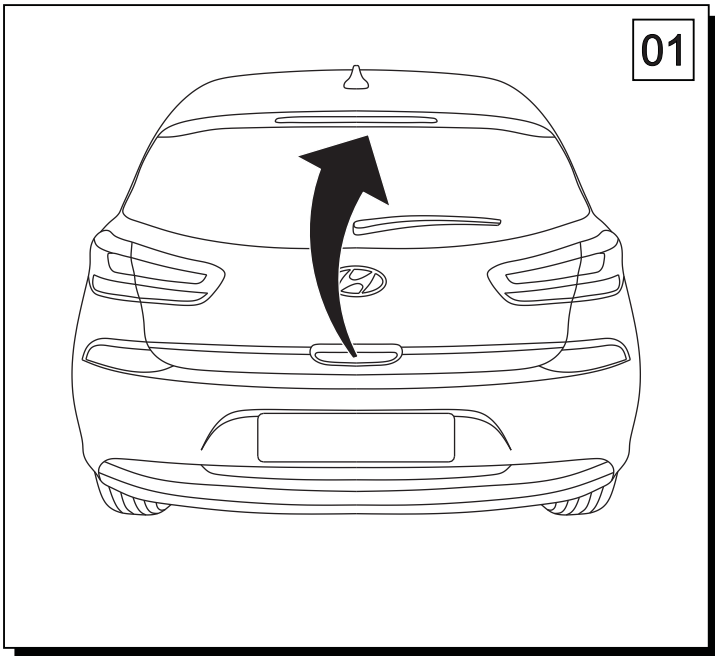
0 km →



1000 km



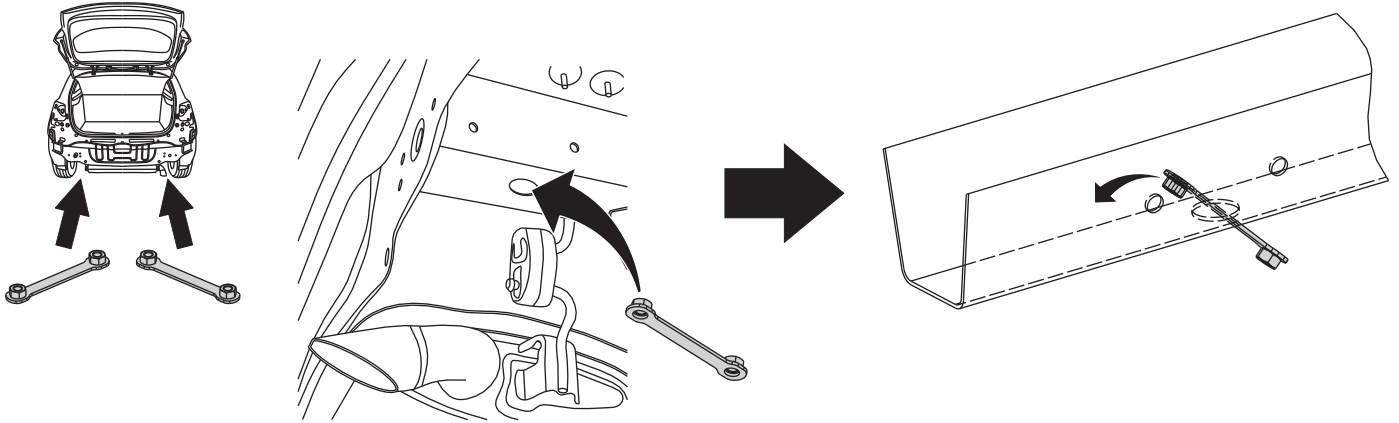
1		x1		7	M12x40	x4
2		x1		8	M10x1.25x40	x4
				9	M10x40	x4
3		x1		10	M8x50	x1
				11	ø 13	x4
4		x1		12	ø 30xø10.5x2.5 10 DIN 9021	4
				13	ø 8.4	x3
5		x1		14	ø 12.2	x4
				15	ø 10.2	x4
6		x2		16	M12	x4
				17	M 8 (DIN985)	x1
				18		x1



06



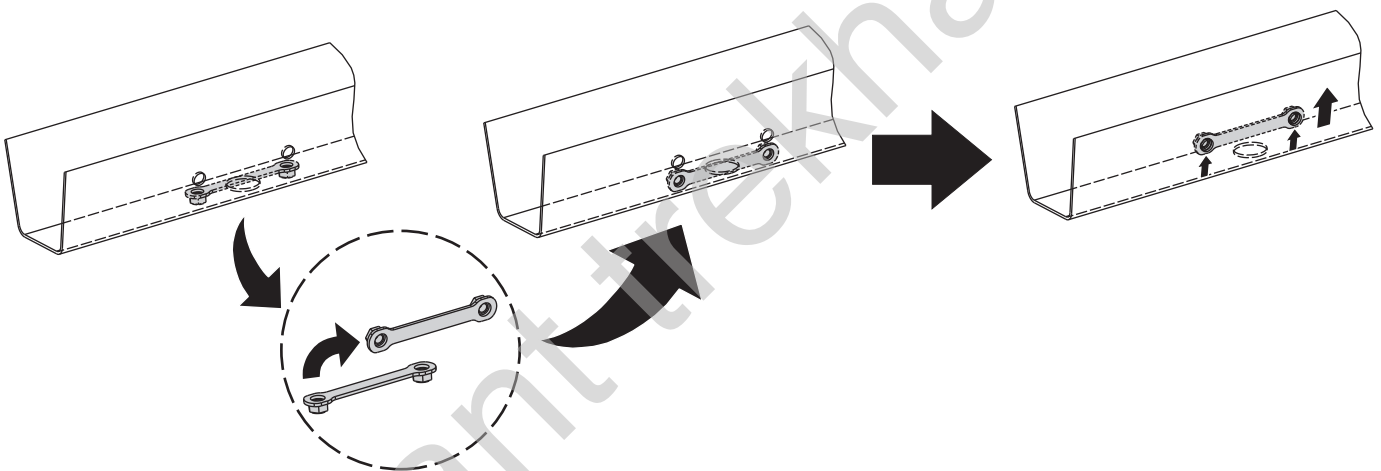
2018...



07



2018...



08



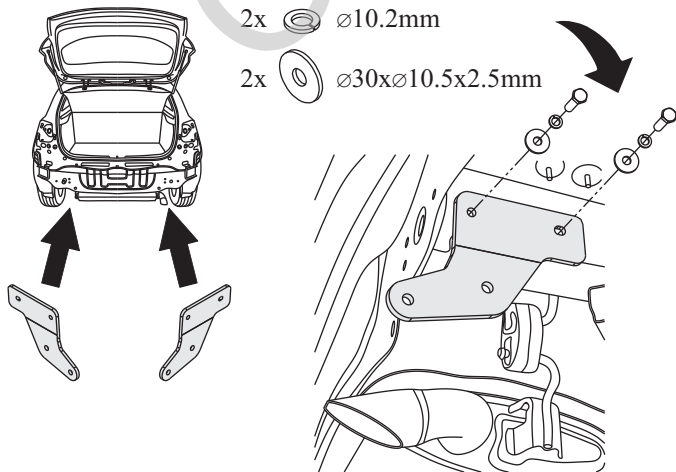
01.2017 - 2018

2018...

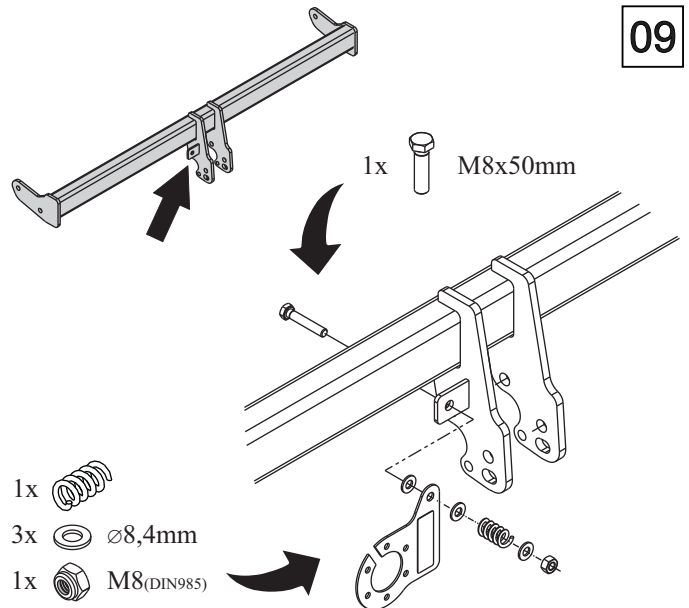
2x M10x1.25x40mm / M10x40mm

2x $\varnothing 10.2\text{mm}$

2x $\varnothing 30 \times 10.5 \times 2.5\text{mm}$



09



1x

3x $\varnothing 8.4\text{mm}$

1x M8(DIN985)

1x M8x50mm

