

PPUH AUTO-HAK Sp.J.

Henryk i Zbigniew Nejman
ul. Słoneczna 16K 76-200 SŁUPSK
POLAND

tel/fax +48 59 8 414 414; +48 59 8 414 413

e-mail: office@autohak.com.pl

www.autohak.com.pl



AUTO-HAK



HYUNDAI ELANTRA

Cat. no:

J73A



02.2016 →



E20-55R-01 4833



8,22 kN



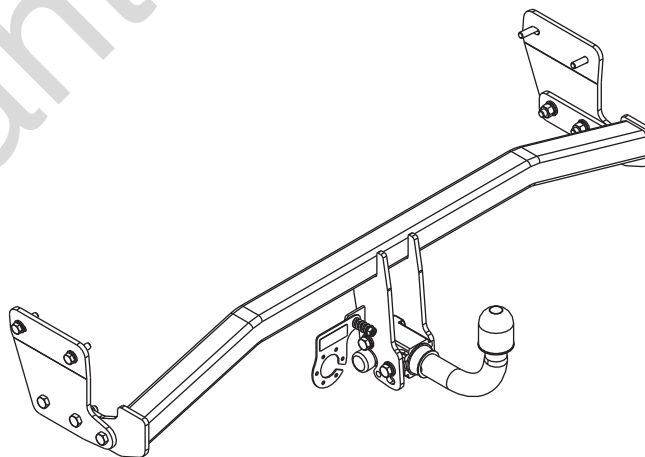
R=1500 kg



S=115 kg



1,5h



M6 - 8,5 Nm
M10 - 41 Nm
M14 - 112 Nm

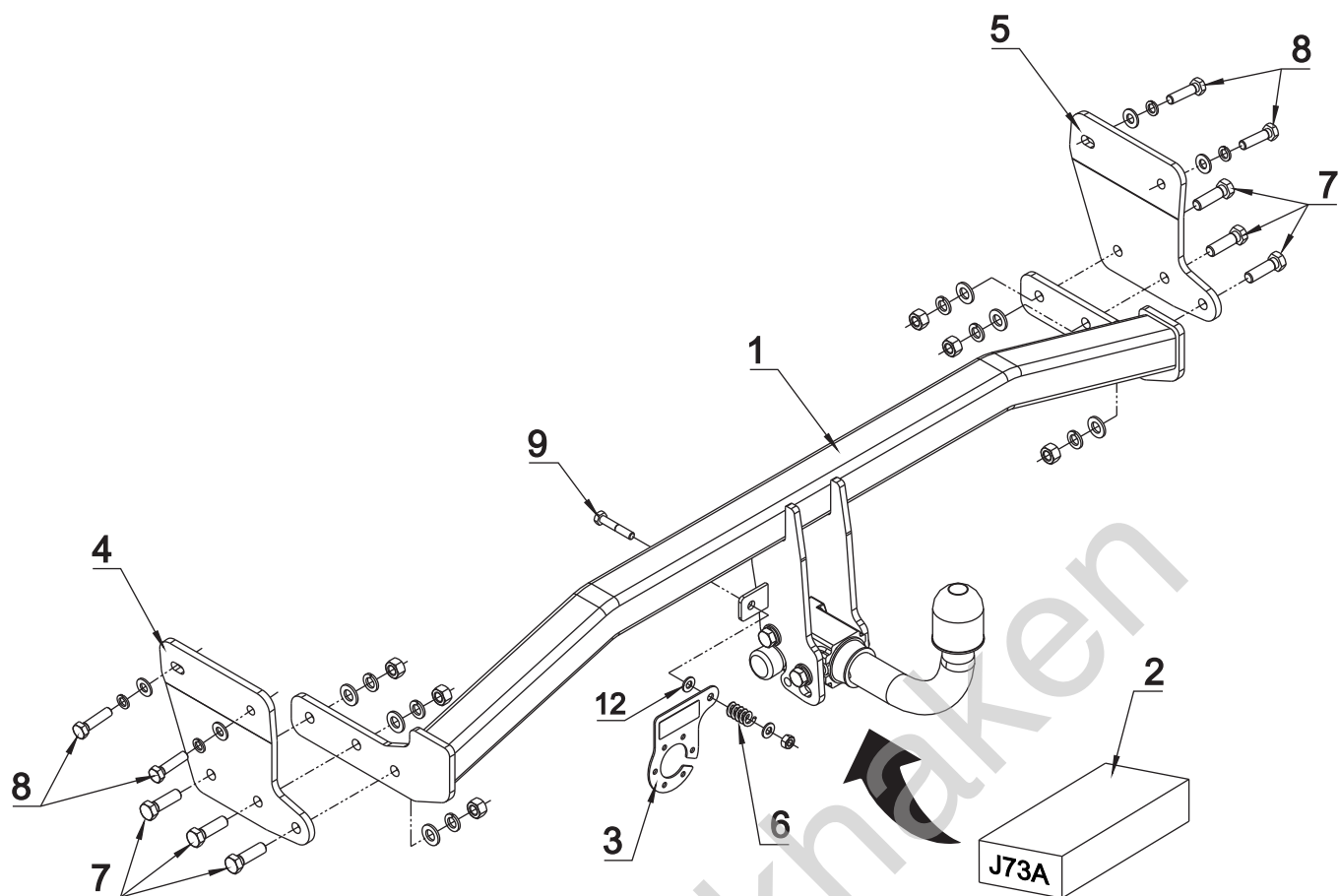
M8 - 20 Nm
M12 - 70 Nm
M16 - 170 Nm

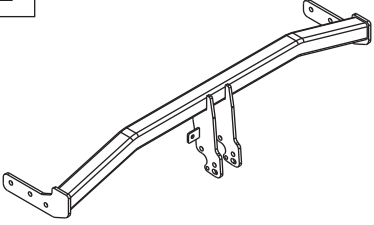
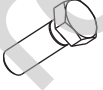

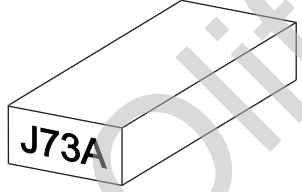

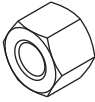


0 km →

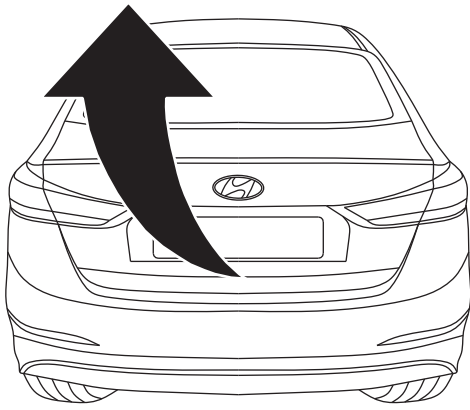


1000 km

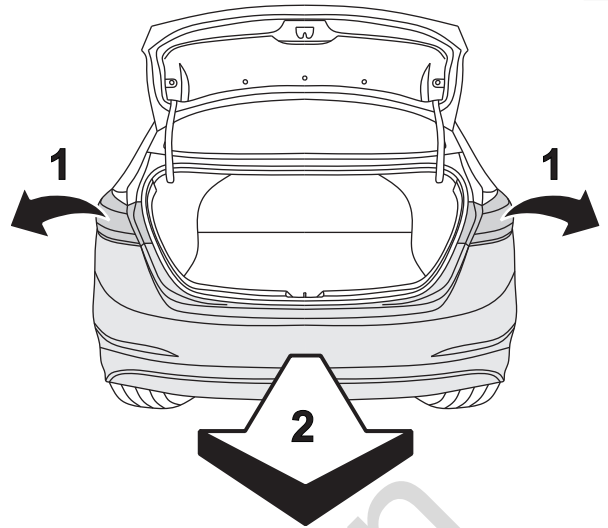


	x1		7	M12x40	x6	
			8	M10x1,25x40	x4	
			9	M8x45	x1	
				10	∅ 13	x6
				11	∅ 10.5	x4
				12	∅ 8.4	x2
	x1		13	∅ 12.2	x6	
			14	∅ 10.2	x4	
				15	M12	x6
				16	M8	x1
3	x1	Art.nr-BL1J73A				
4	x1					
5	x1					
6	x1					

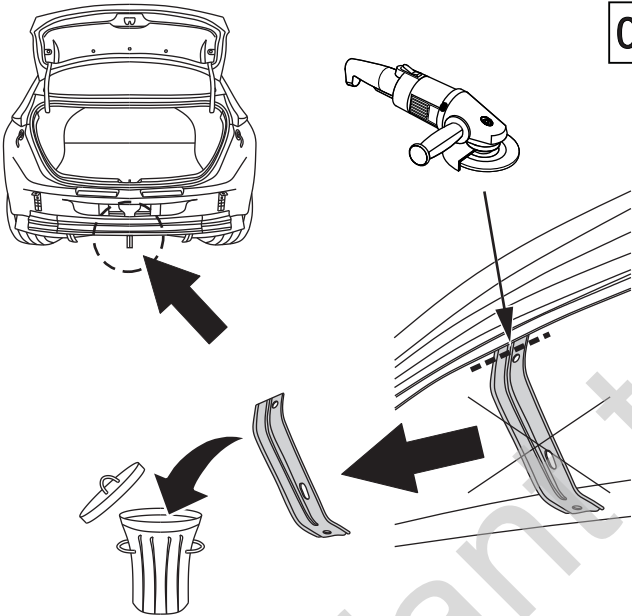
01



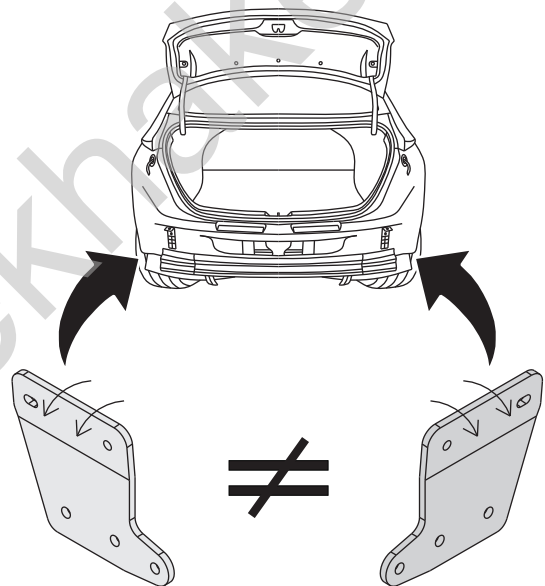
02



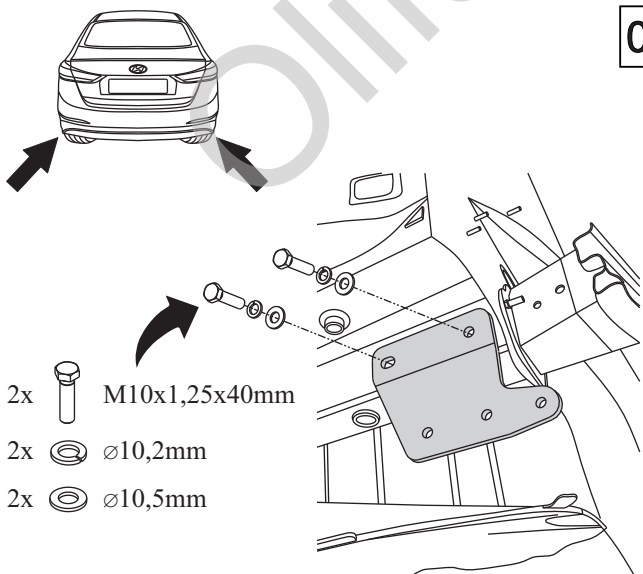
03



04



05



06

