

AUTO-HAK Sp. z o.o.

ul. Słoneczna 16K 76-200 SŁUPSK
POLAND

tel/fax +48 59 8 414 414; +48 59 8 414 413

e-mail: office@autohak.com.pl

www.autohak.com.pl



AUTO-HAK



HYUNDAI i20 II
3/5D, (+ACTIVE)

Cat. no:

J70A



12.2014 → 08.2020



E20-55R-01 4112



2h



7,06 kN



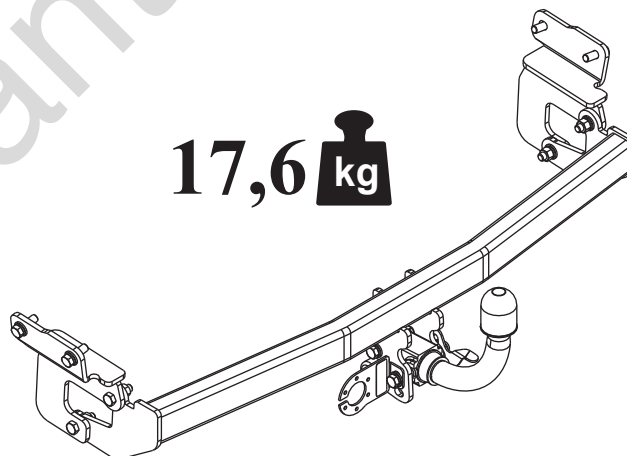
R=1120 kg



S=50 kg



17,6 kg



M6 - 11 Nm
M10 - 50 Nm
M14 - 138 Nm

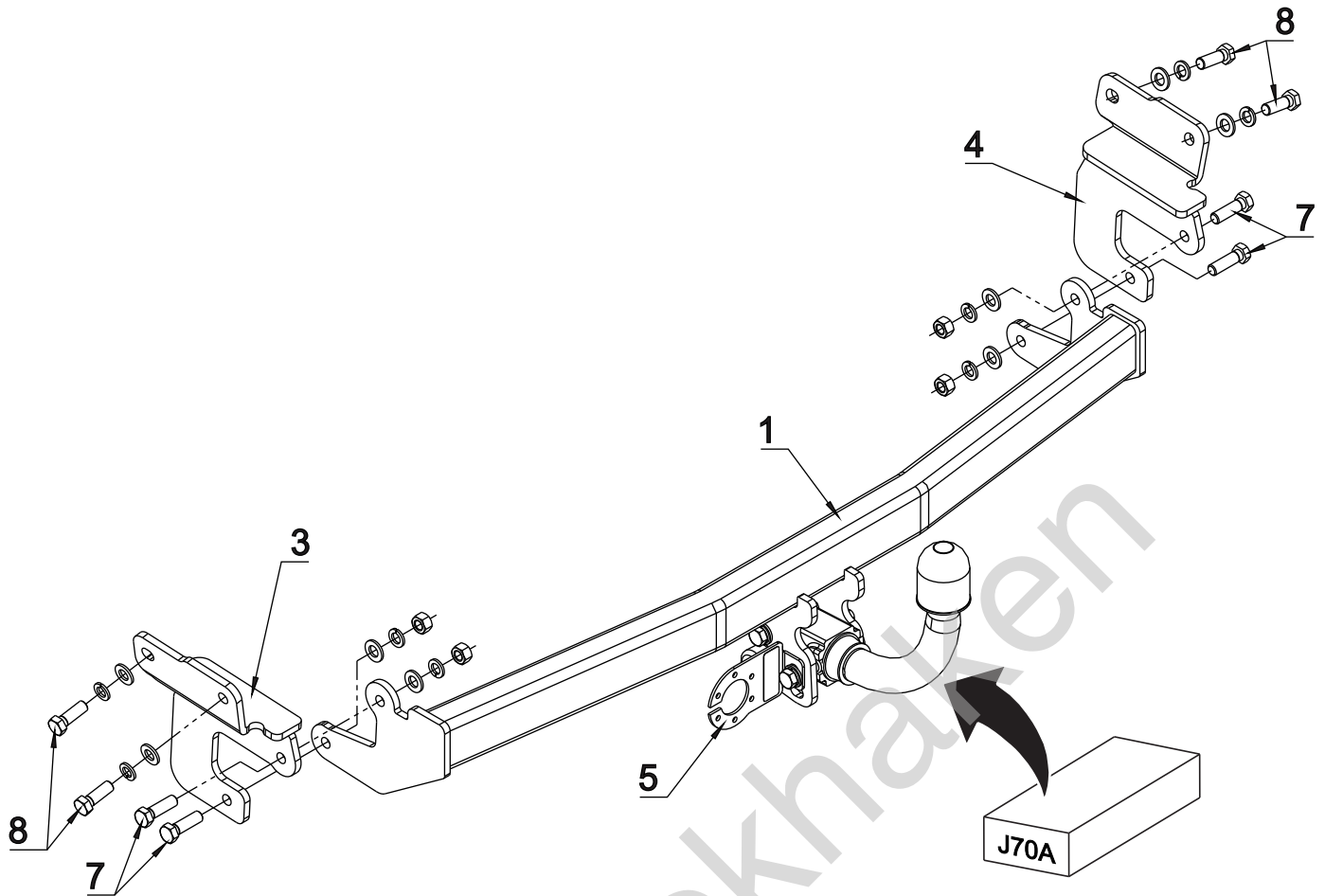
M8 - 25 Nm
M12 - 87 Nm
M16 - 210 Nm

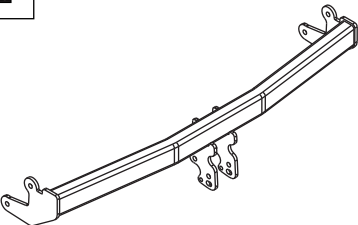


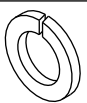
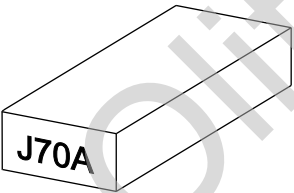
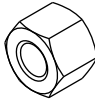


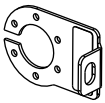



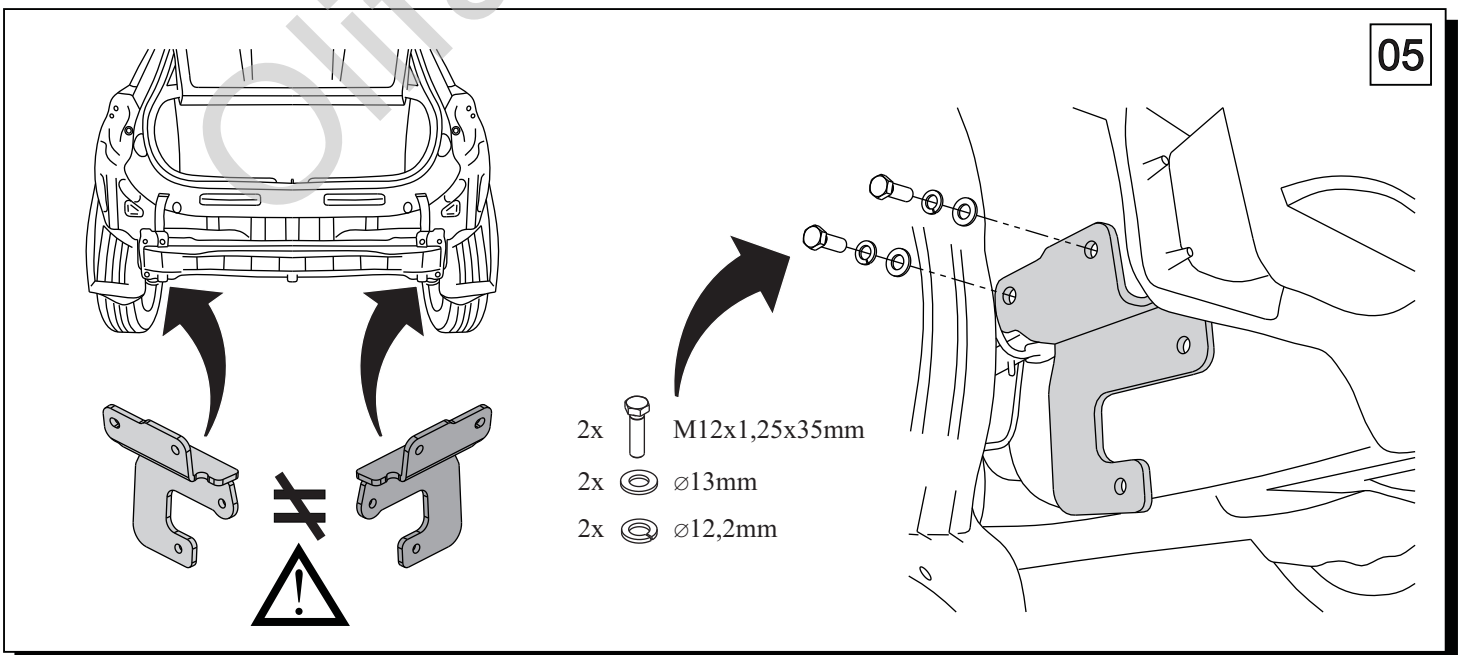
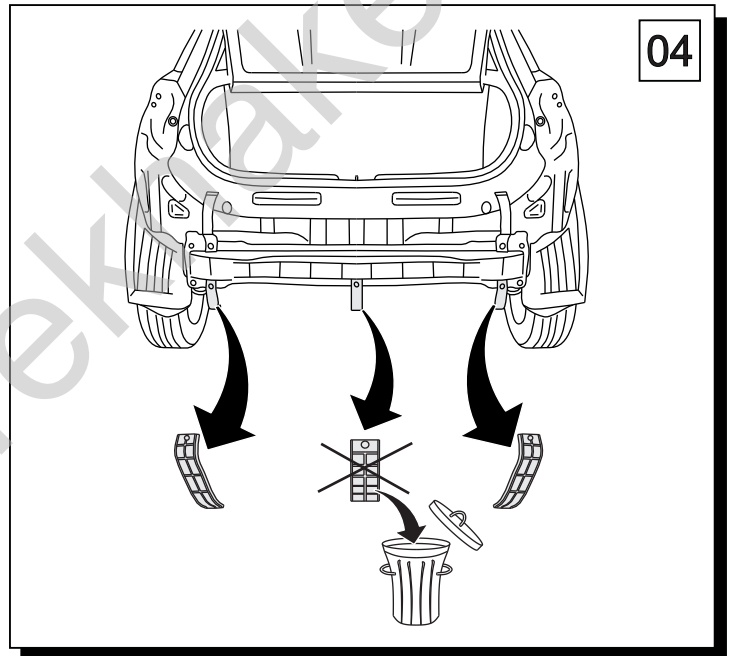
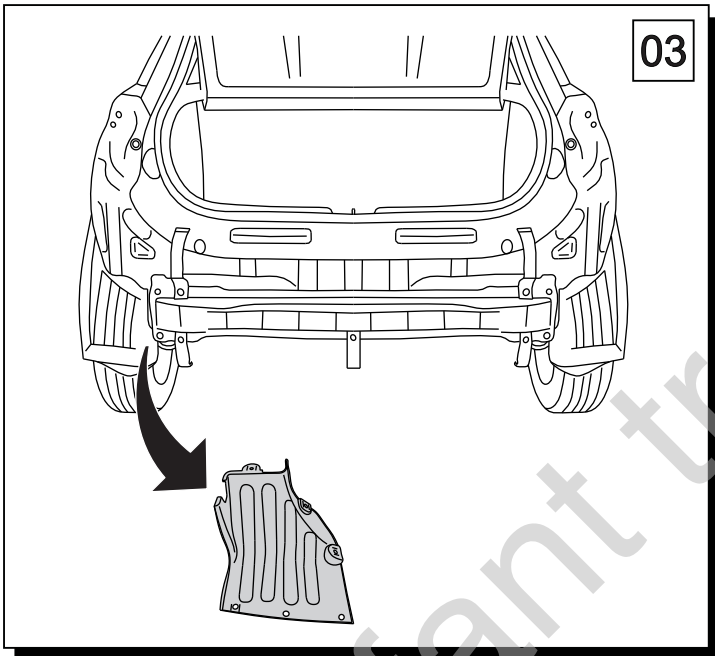
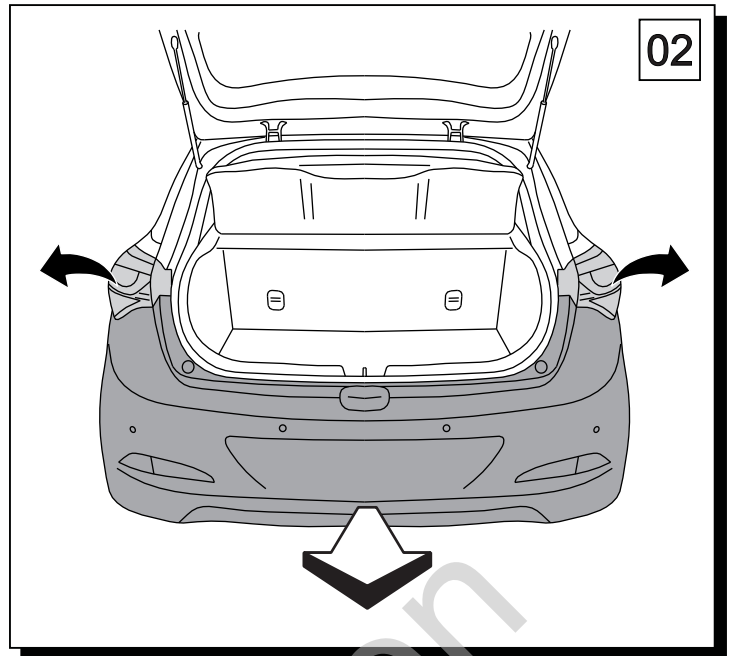
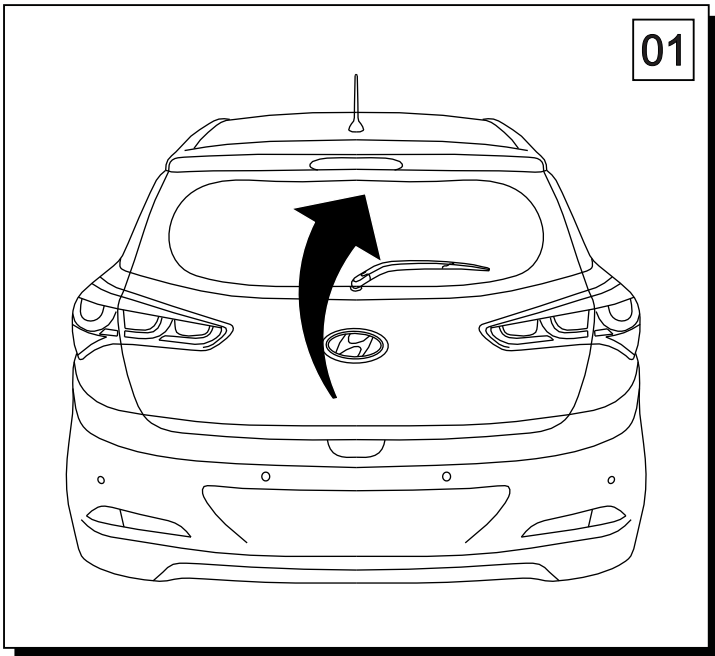
0 km →

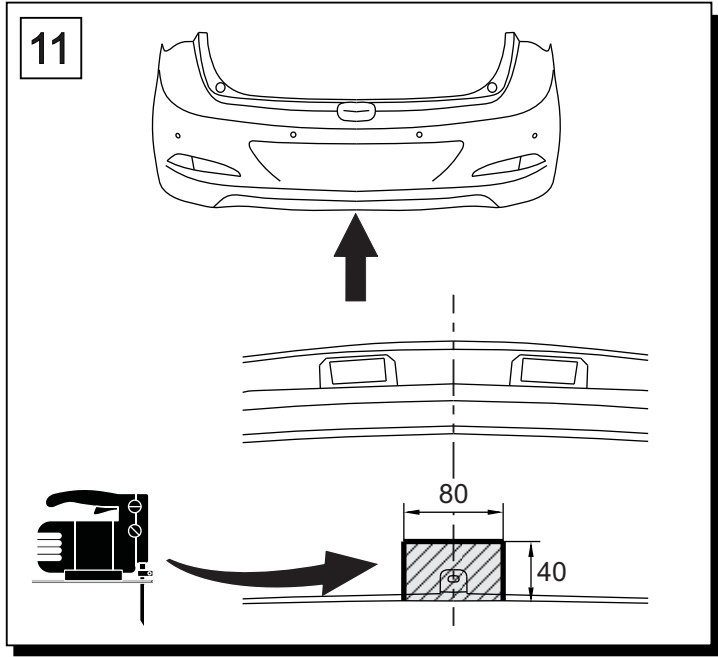
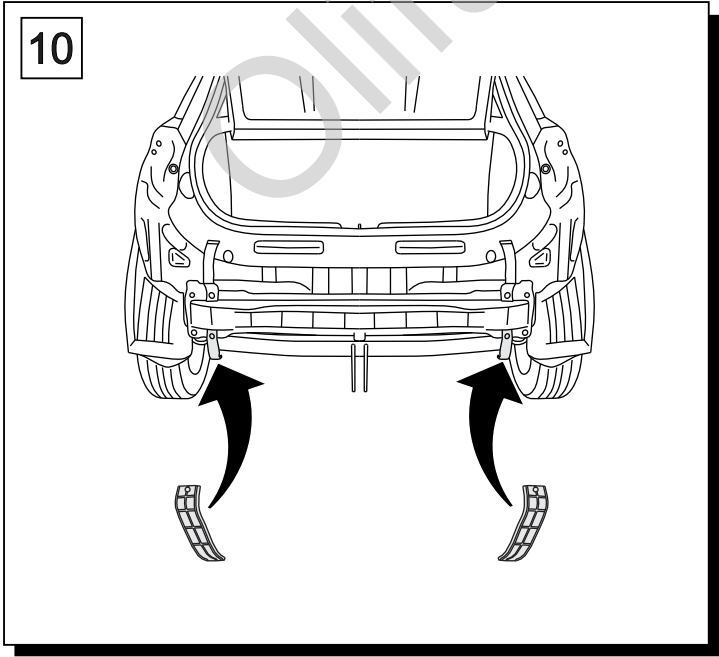
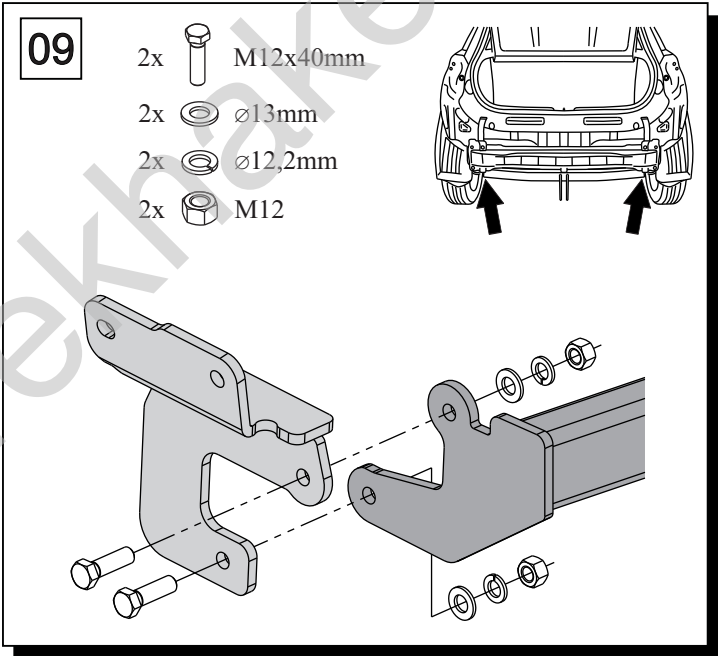
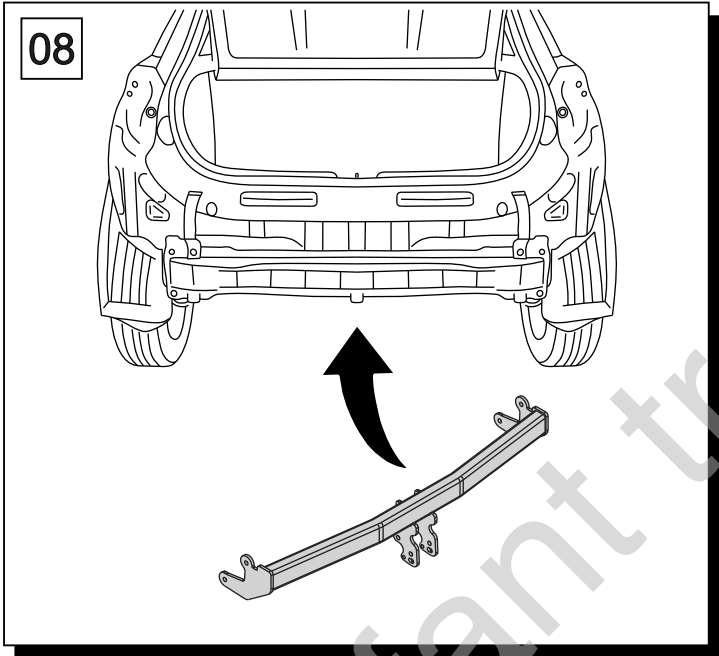
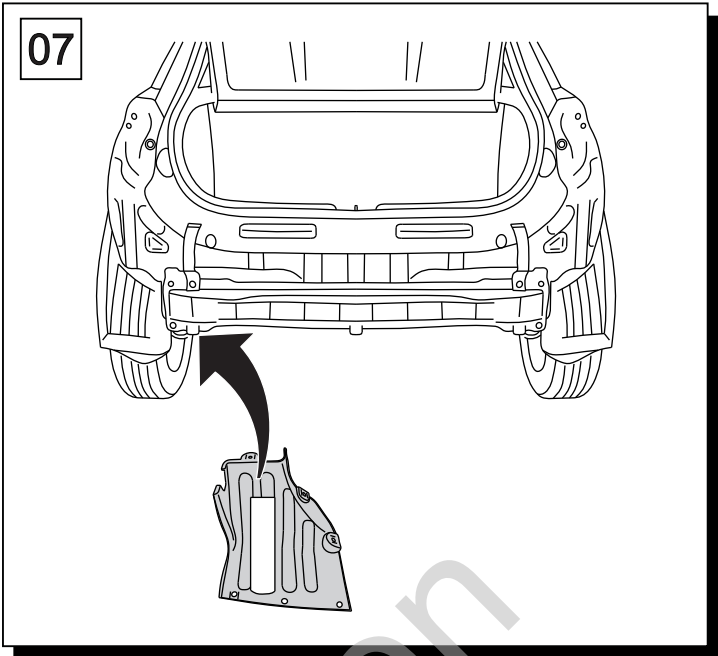
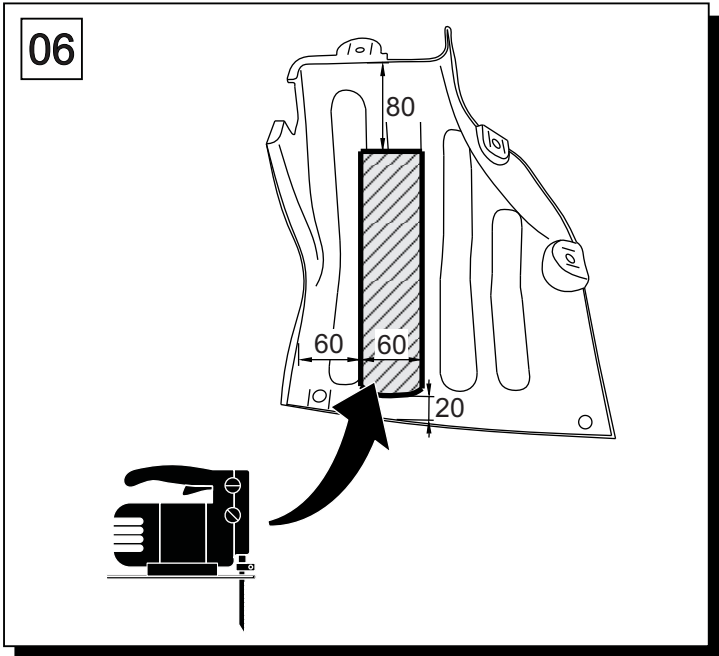


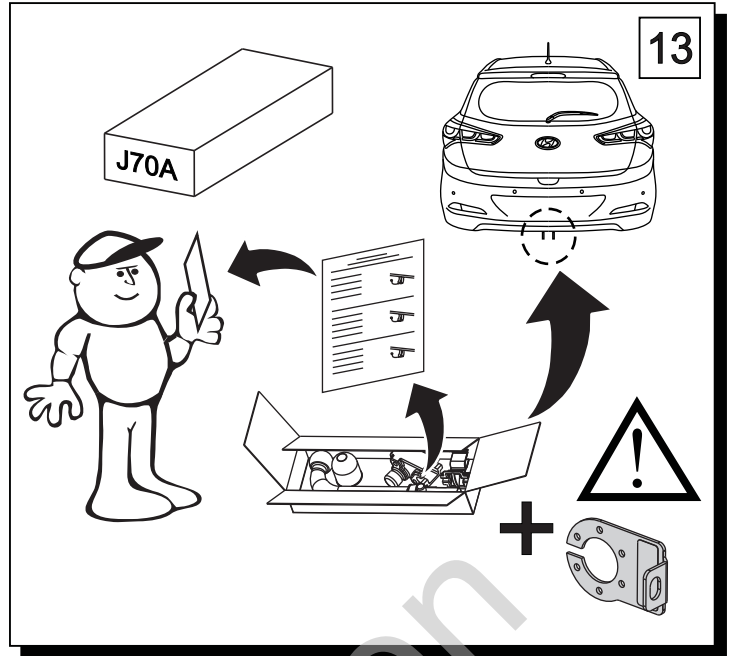
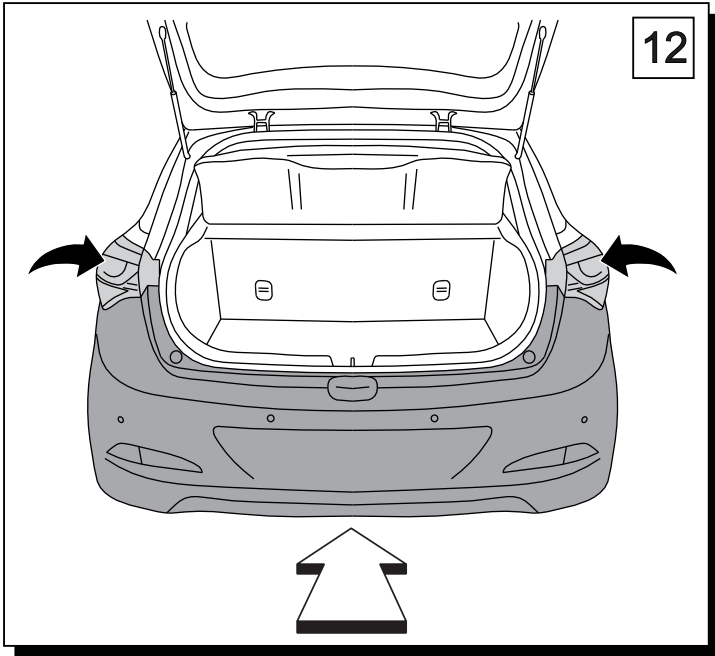
1000 km



	x1		7 M12x40	x4
			8 M12x1,25x35	x4
			9 \varnothing 13	x8
			10 \varnothing 12.2	x8
	x1		11 M12	x4
	Art.nr-KL1J70A			
	x1			
	x1			
	x1			
	Art.nr-BL1J70A			
	x1			







Olifant trekhaken