

# PPUH AUTO-HAK Sp.J.

Henryk i Zbigniew Nejman  
ul. Słoneczna 16K 76-200 SŁUPSK  
POLAND

tel/fax +48 59 8 414 414; +48 59 8 414 413

e-mail: [office@autohak.com.pl](mailto:office@autohak.com.pl)

[www.autohak.com.pl](http://www.autohak.com.pl)



**AUTO-HAK**



**HYUNDAI SANTA FE  
(DM), 2+4WD**

Cat. no:

**J68A**



10.2012 → 08.2018



E20-55R-01 2989



12,6 kN



2h



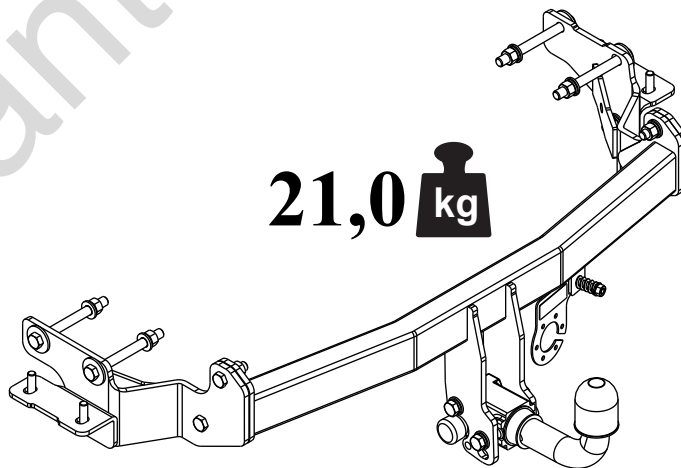
R=2500 kg



S=100 kg



**21,0 kg**



M6 - 11 Nm  
M10 - 50 Nm  
M14 - 138 Nm

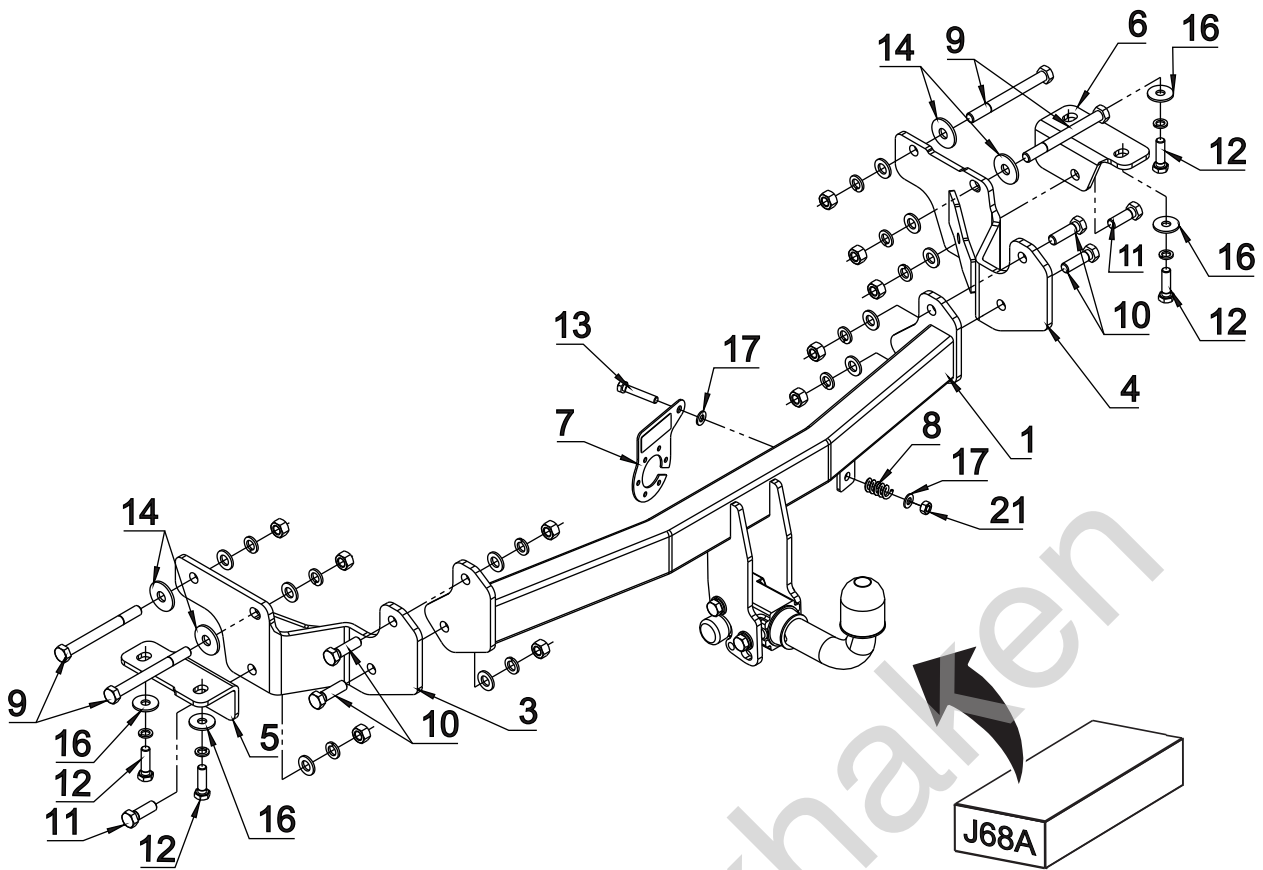
M8 - 25 Nm  
M12 - 87 Nm  
M16 - 210 Nm

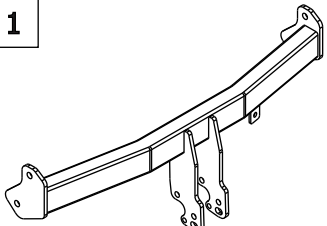

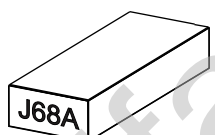

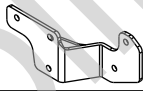
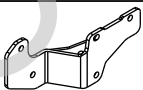

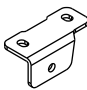
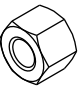
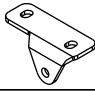
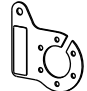
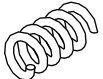


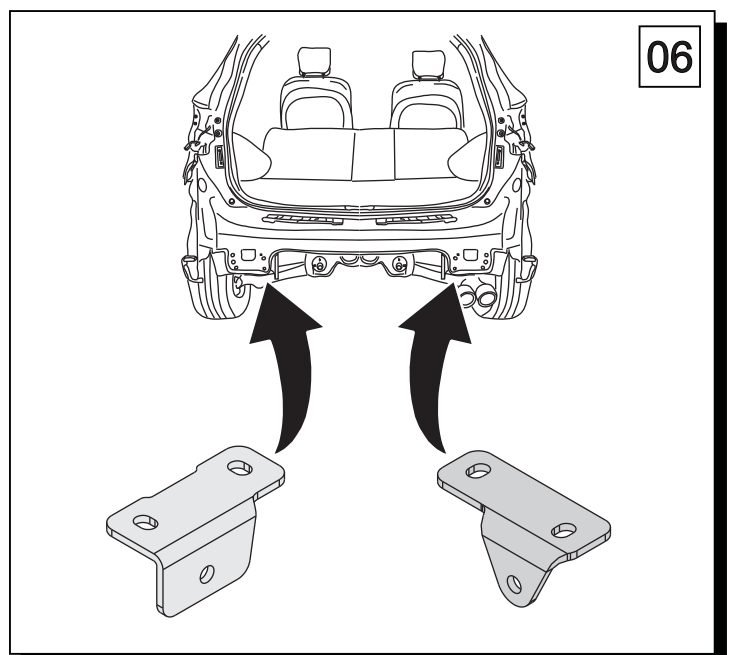
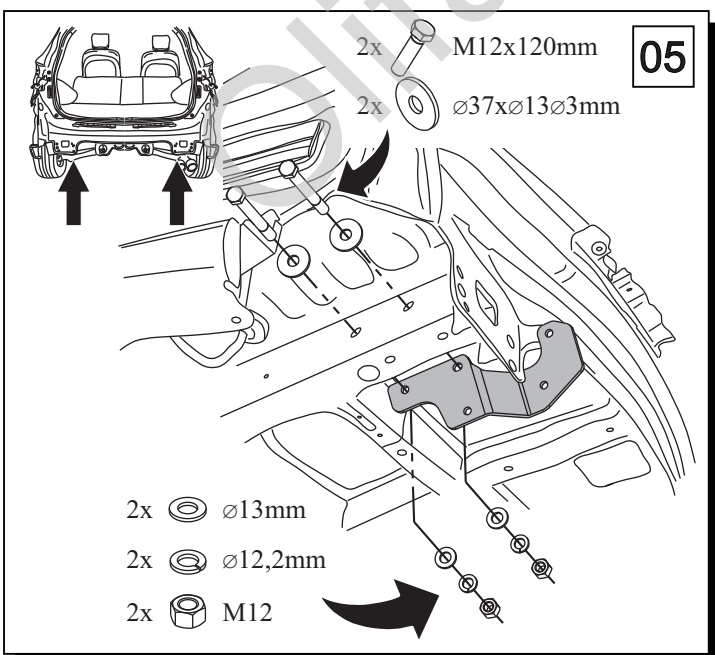
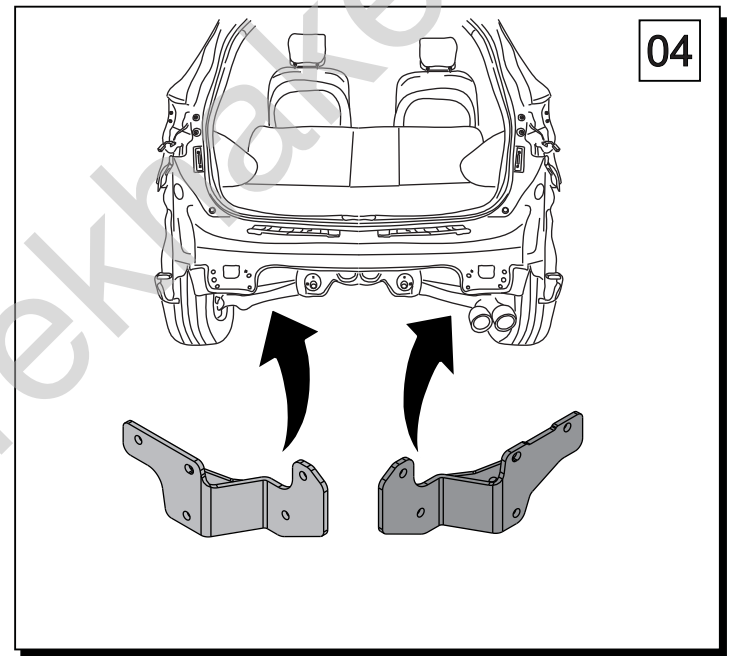
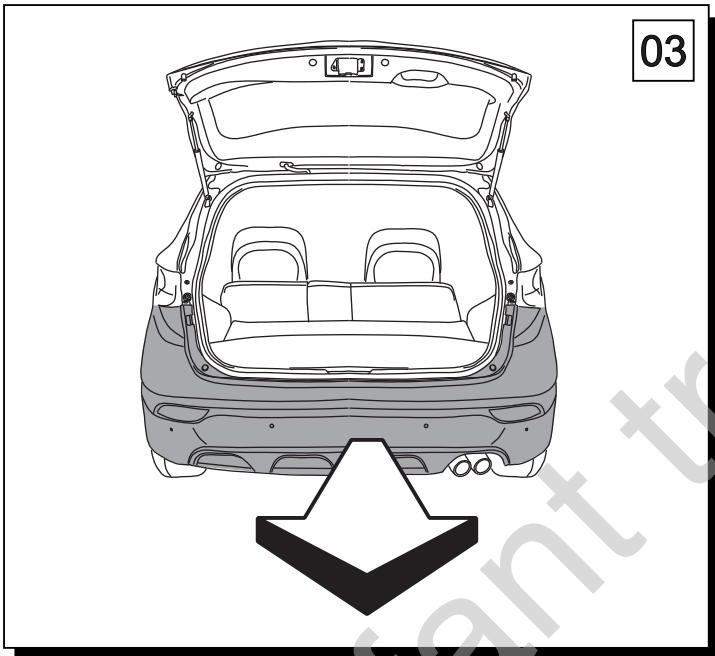
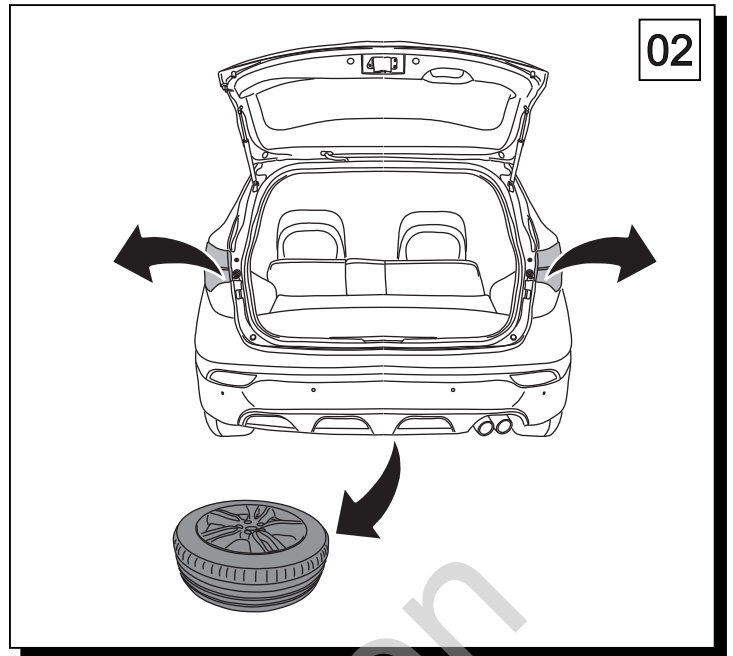
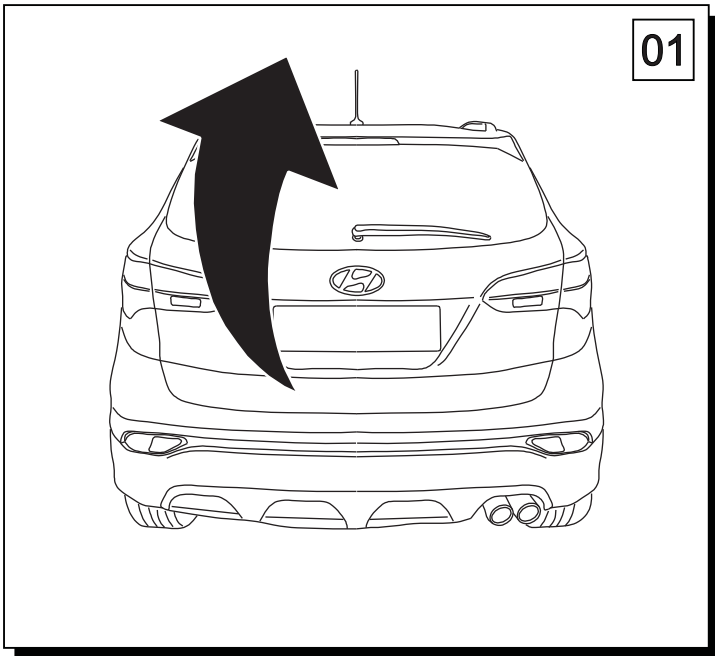
0 km →

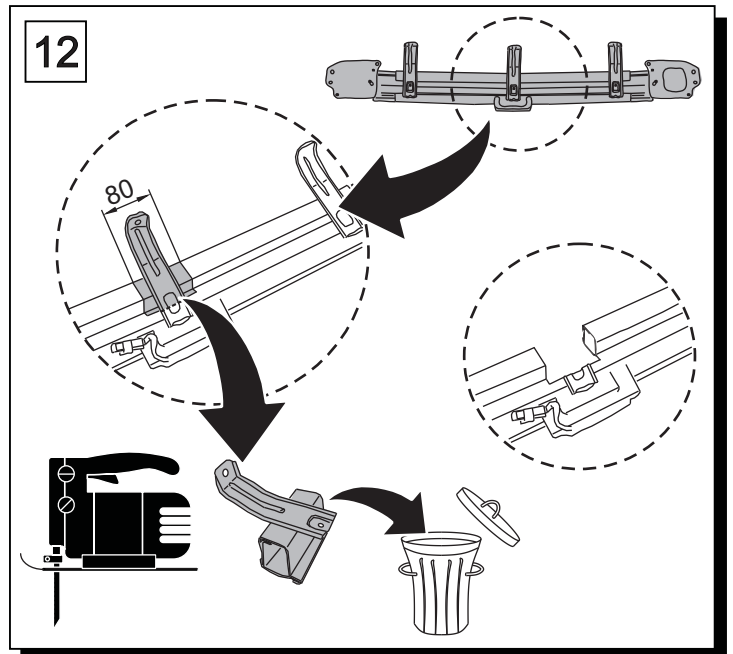
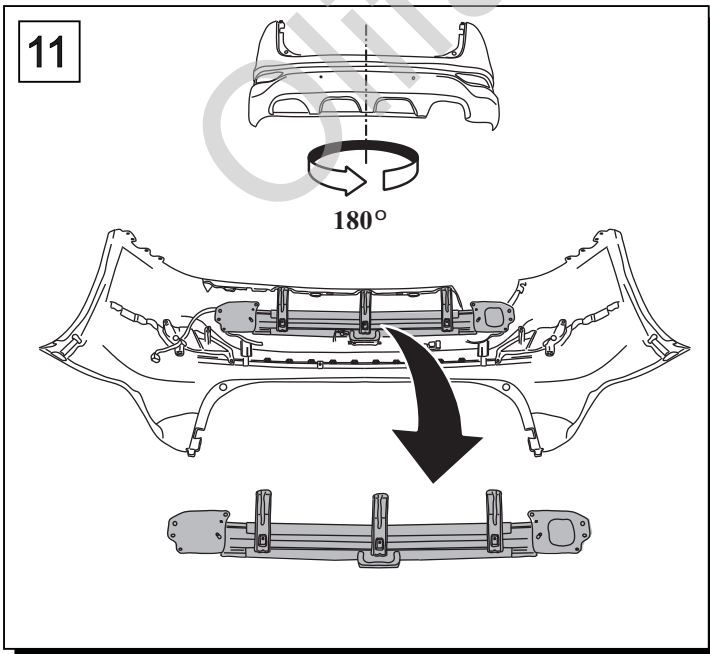
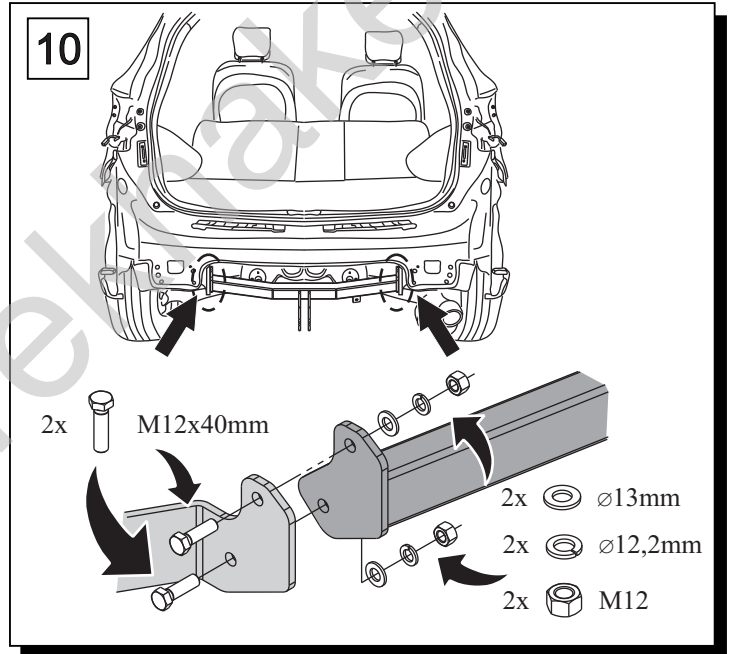
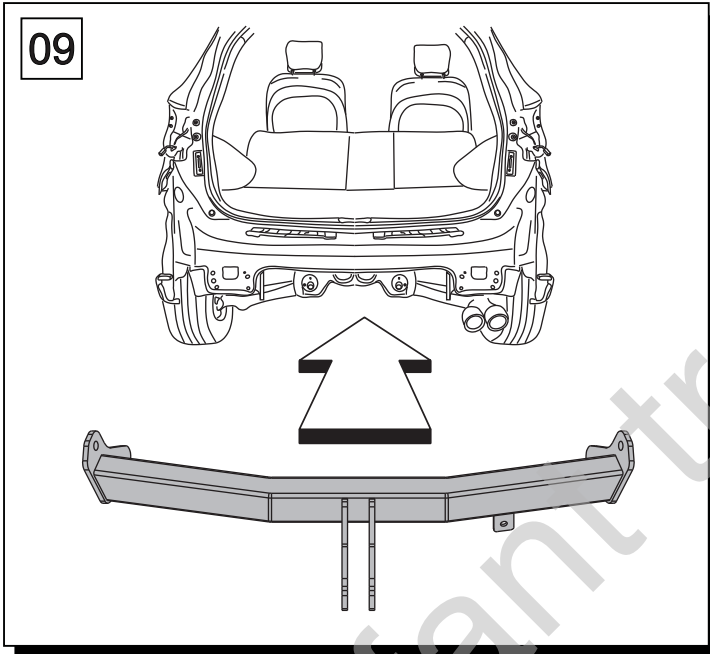
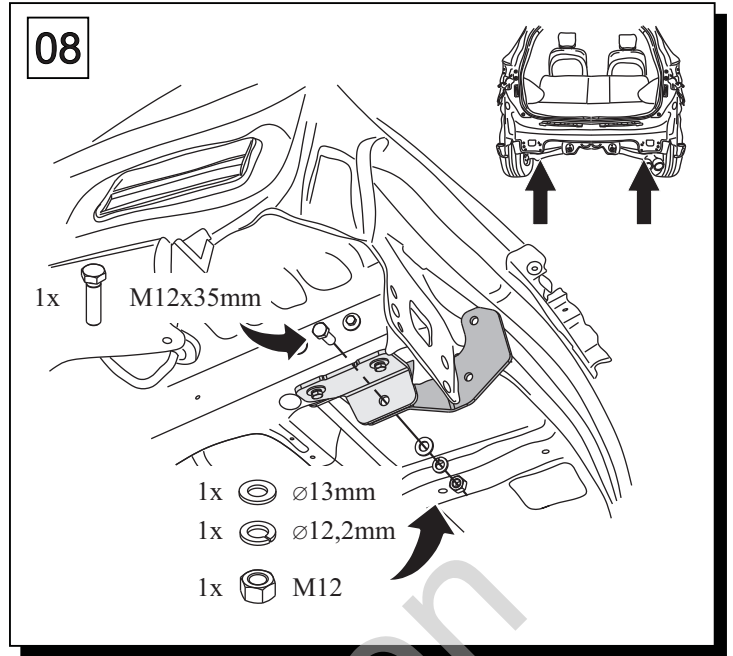
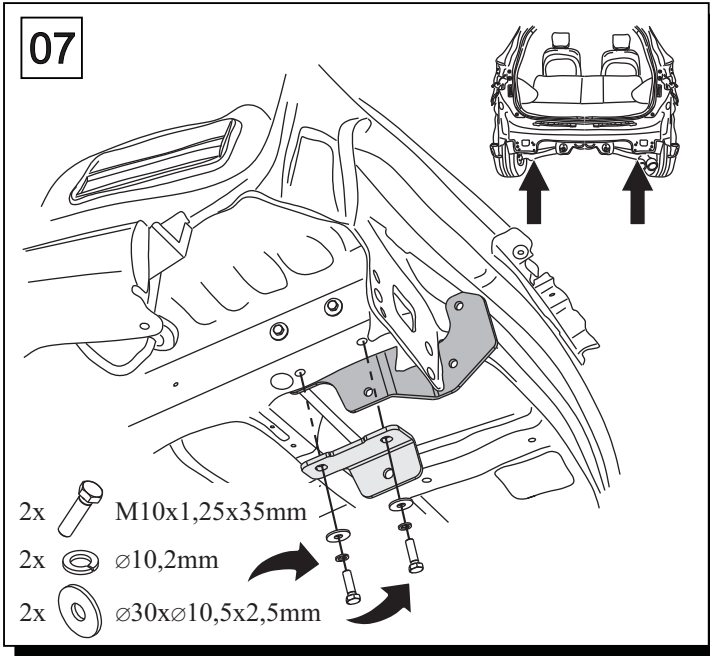


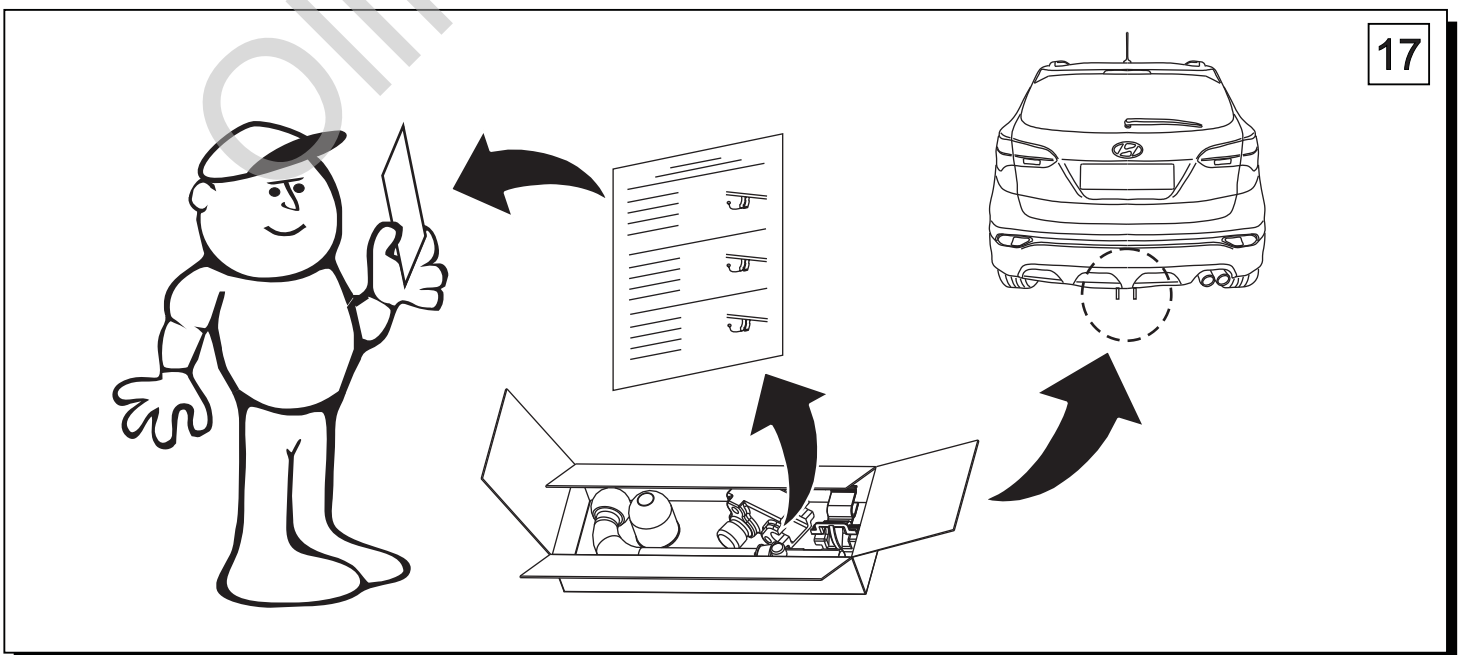
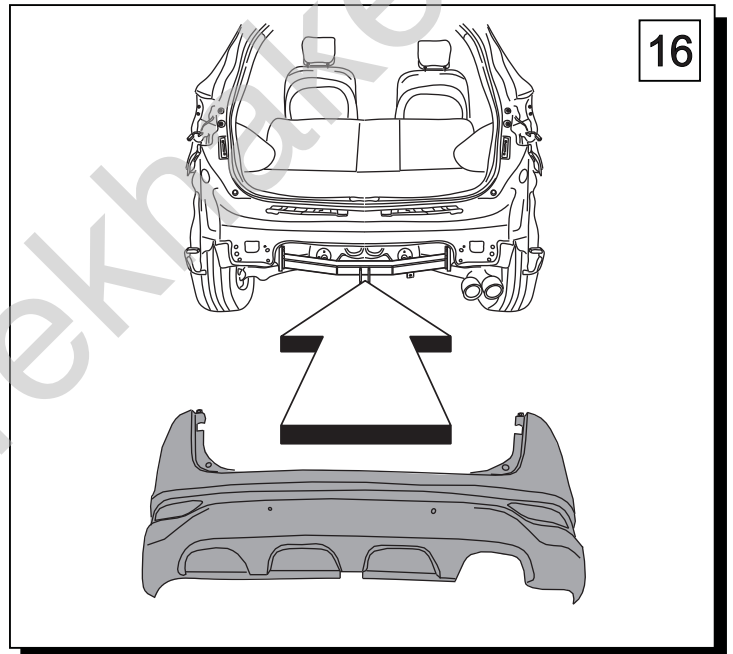
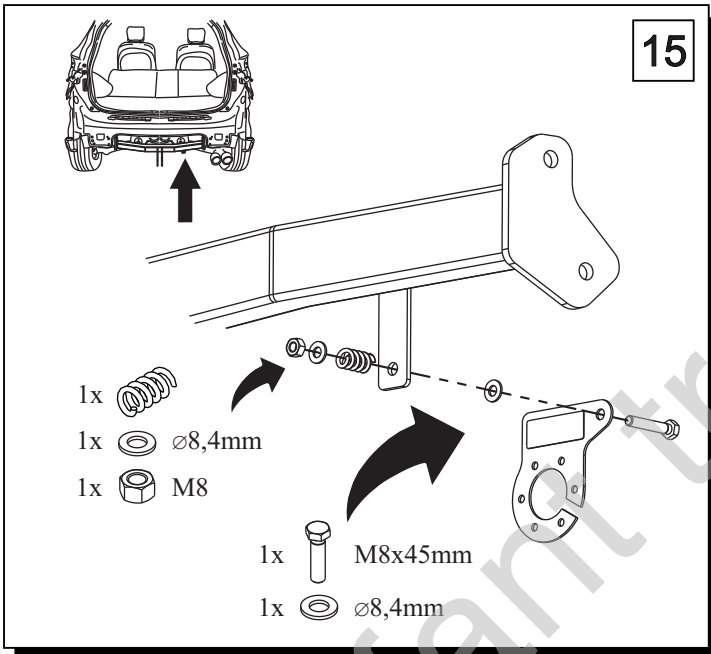
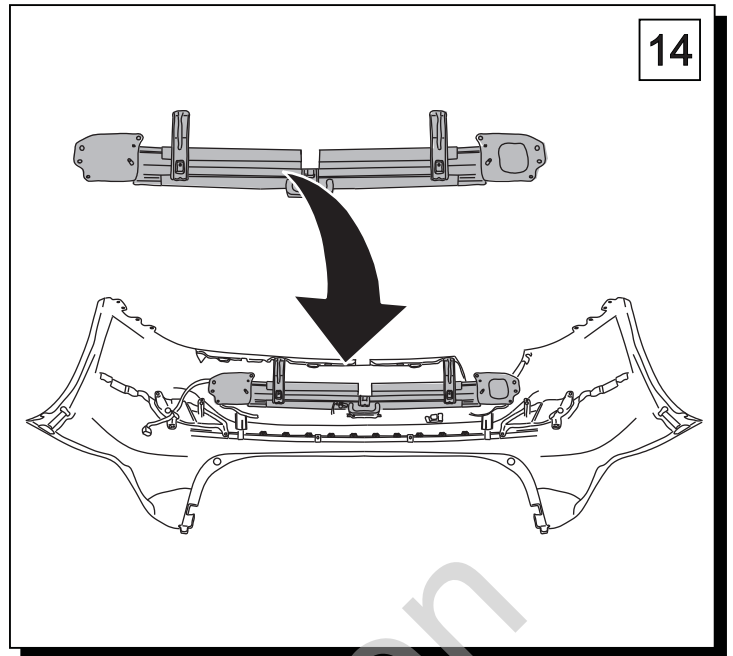
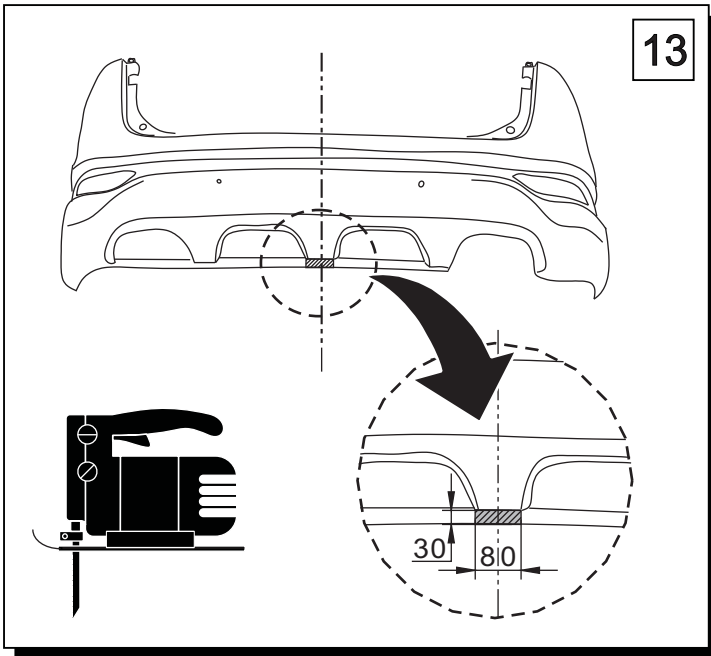
1000 km



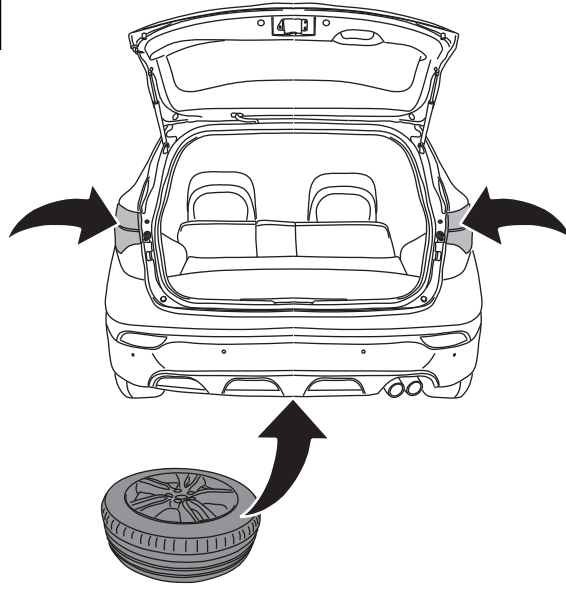
1		x1		9 M12x120	x4
				10 M12x40	x4
				11 M12x35	x2
				12 M10x1.25x35	x4
				13 M8x45	x1
2	 Art.nr-KL1J68A	x1		14 $\varnothing$ 13	x10
				15 $\varnothing$ 37x $\varnothing$ 13x3 13 DIN 9021	x4
				16 $\varnothing$ 30x $\varnothing$ 10.5x2.5 10 DIN 9021	x4
3		x1		17 $\varnothing$ 8,4	x2
4		x1		18 $\varnothing$ 12.2	x10
				19 $\varnothing$ 10.2	x4
5		x1		20 M12	x10
				21 M8	x1
6		x1			
7		x1			
					Art.nr-BL1J68A
8		x1			







18



Olifant trekhaken